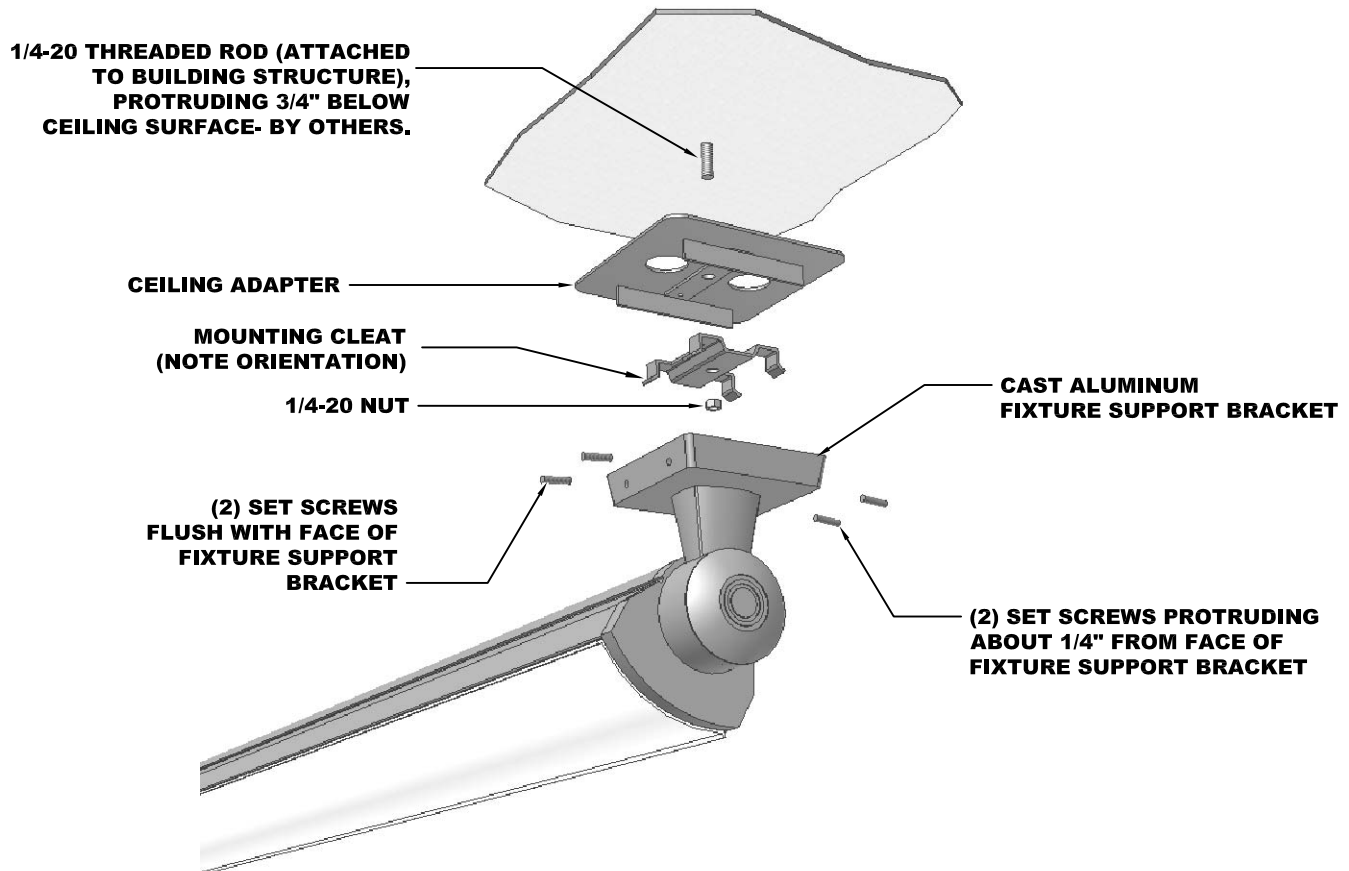


# ACCENTRA LED DIRECT CEILING NON GRID MOUNTING SAFETY AND INSTALLATION INSTRUCTIONS

## CAUTION:

- \* BE CERTAIN THAT POWER TO FIELD WIRING HAS BEEN TURNED OFF PRIOR TO INSTALLATION.
- \* CONNECTIONS TO FIELD WIRES AND GROUNDING OF FIXTURES MUST BE DONE IN ACCORDANCE WITH APPLICABLE LOCAL & NATIONAL CODES. INSTALLATION MUST BE PERFORMED BY QUALIFIED PERSONNEL.
- \* IT IS INSTALLERS RESPONSIBILITY TO ENSURE THAT WALL, CEILING OR JUNCTION BOX IS STRUCTURALLY CAPABLE OF SUPPORTING WEIGHT OF FIXTURE .
- \* BE CERTAIN THAT SUPPLY VOLTAGE IS THE SAME AS THAT MARKED ON DRIVERS AND TRANSFORMERS.

## DIRECT CEILING MOUNTING-- NON-GRID (NON-FEED END)



**STEP 1:** SLIP CEILING ADAPTER AND MOUNTING CLEAT OVER THREADED ROD PROTRUDING THRU CEILING.

NOTE ORIENTATION OF MOUNTING CLEAT WITH RESPECT TO HOLES IN CEILING ADAPTER.

**STEP 2:** SECURE CEILING ADAPTER AND CLEAT TO CEILING WITH 1/4-20 NUT.

**STEP 3:** INSTALL (2) SET SCREWS IN ONE SIDE OF FIXTURE SUPPORT BRACKET, FLUSH WITH FACE.

- INSTALL (2) SET SCREWS IN OPPOSITE SIDE OF FIXTURE SUPPORT BRACKET, PROTRUDING ABOUT 1/4" FROM FACE.

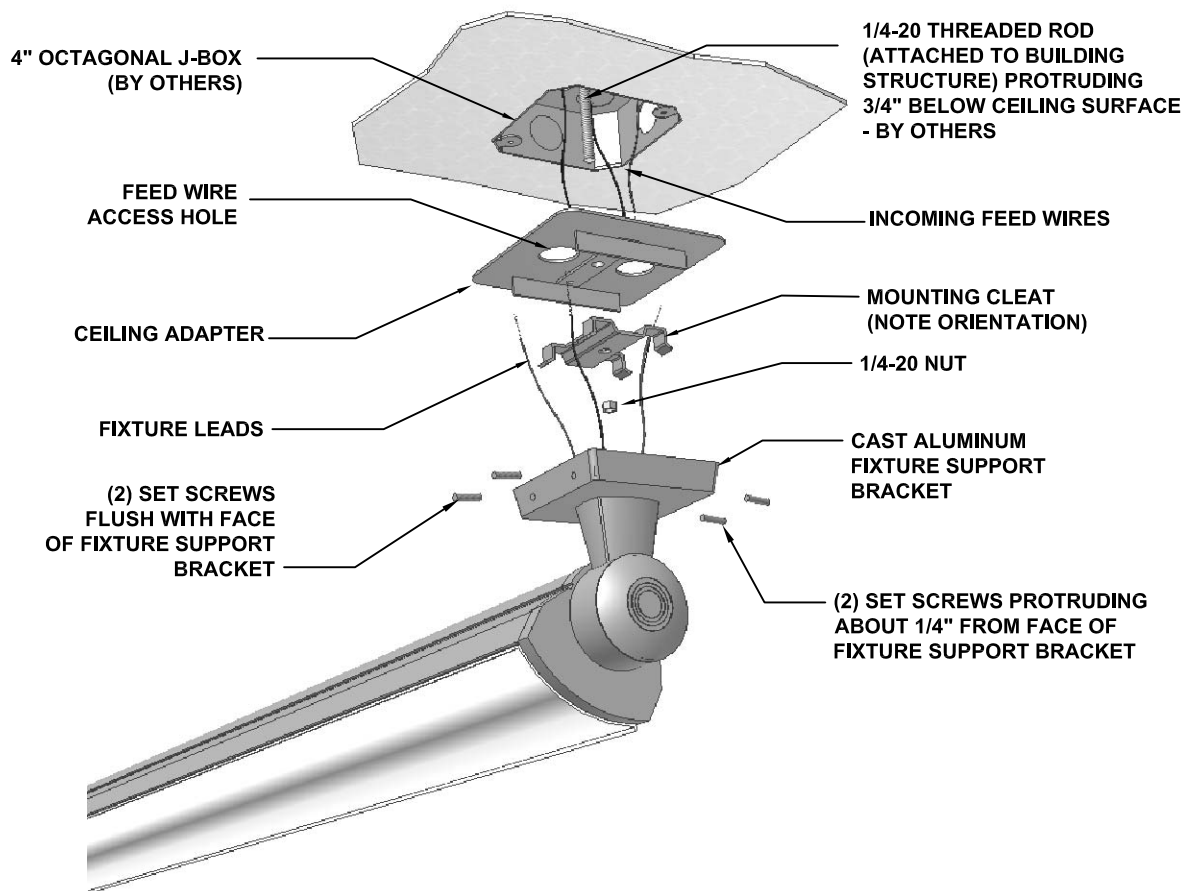
- STOP HERE AND GO TO DIRECT CEILING MOUNTING- NON GRID, FEED END INSTRUCTIONS ON REVERSE.

REFERENCE BACK PAGE FOR DIRECT CEILING MOUNTING- NON GRID (FEED END)



# ACCENTRA LED DIRECT CEILING NON GRID MOUNTING SAFETY AND INSTALLATION INSTRUCTIONS

## DIRECT CEILING MOUNTING- NON-GRID (FEED END)



**STEP 1:** SLIP CEILING ADAPTER AND MOUNTING CLEAT OVER STUD PROTRUDING THRU CEILING, ROUTING INCOMING FEED WIRES THRU ACCESS HOLES.

**NOTE ORIENTATION OF MOUNTING CLEAT WITH RESPECT TO HOLES IN CEILING ADAPTER.**

**STEP 2:** SECURE CEILING ADAPTER & MOUNTING CLEAT TO CEILING WITH 1/4-20 NUT PROVIDED.

**STEP 3:** - INSTALL (2) SET SCREWS IN ONE SIDE OF FIXTURE SUPPORT BRACKET, FLUSH WITH FACE.

- INSTALL (2) SET SCREWS IN OPPOSITE SIDE OF FIXTURE SUPPORT BRACKET, PROTRUDING ABOUT 1/4" FROM FACE.

**STEP 4:** JOIN SUPPLY WIRES TO FIXTURE LEADS USING 90~C MIN. RATED LEADS AND CONNECTORS.

- ALL WIRE CONNECTIONS SHOULD BE KEPT WITHIN CONFINES OF J-BOX.

- HOOK SIDE OF FIXTURE WITH FLUSH MOUNTED SET SCREWS ONTO MOUNTING CLEATS, MAY REQUIRE (2) PERSONS- ONE AT EACH END. SWING OPPOSITE SIDE OF FIXTURE UP TOWARD CEILING AND TIGHTEN PROTRUDING SET SCREWS TO ENGAGE MOUNTING CLEATS. VERIFY FIXTURE IS SECURELY ATTACHED.

