

ACCENTRA LED DIRECT CEILING GRID MOUNTING SAFETY AND INSTALLATION INSTRUCTIONS

CAUTION:

- * BE CERTAIN THAT POWER TO FIELD WIRING HAS BEEN TURNED OFF PRIOR TO INSTALLATION.
- * CONNECTIONS TO FIELD WIRES AND GROUNDING OF FIXTURES MUST BE DONE IN ACCORDANCE WITH APPLICABLE LOCAL & NATIONAL CODES. INSTALLATION MUST BE PERFORMED BY QUALIFIED PERSONNEL.
- * IT IS INSTALLERS RESPONSIBILITY TO ENSURE THAT WALL, CEILING OR JUNCTION BOX IS STRUCTURALLY CAPABLE OF SUPPORTING WEIGHT OF FIXTURE .
- * BE CERTAIN THAT SUPPLY VOLTAGE IS THE SAME AS THAT MARKED ON DRIVERS AND TRANSFORMERS.

DIRECT "T-BAR" CEILING MOUNTING-- INDIVIDUAL FIXTURE

STEP 1:

INSTALL IDS CLIPS ONTO T-BAR IN LOCATIONS INDICATED ON SHOP DRAWING. SEE OPPOSITE PAGE FOR DETAILS. SECURE IDS CLIP TO STRUCTURE ABOVE WITH # 12 GA. WIRE.

STEP 2:

INSTALL GREENFIELD CONNECTOR (BY OTHERS) ONTO 'J' BOX. ATTACH 'J' BOX AND 'J' BOX SUPPORT BRACKET TO IDS CLIP AT FEED END OF FIXTURE WITH 1/4-20 NUT & BOLT PROVIDED AS ILLUSTRATED AT RIGHT & BELOW.

STEP 3:

CUT A 3/4" Ø HOLE IN CEILING TILE ALIGNED WITH THE GREENFIELD CONNECTOR THAT IS PROTRUDING FROM THE 'J' BOX.

STEP 4:

ATTACH MOUNTING CLEATS TO IDS CLIPS WITH 1/4-20 NUTS PROVIDED.
NOTE ORIENTATION OF MOUNTING CLEAT

STEP 5:

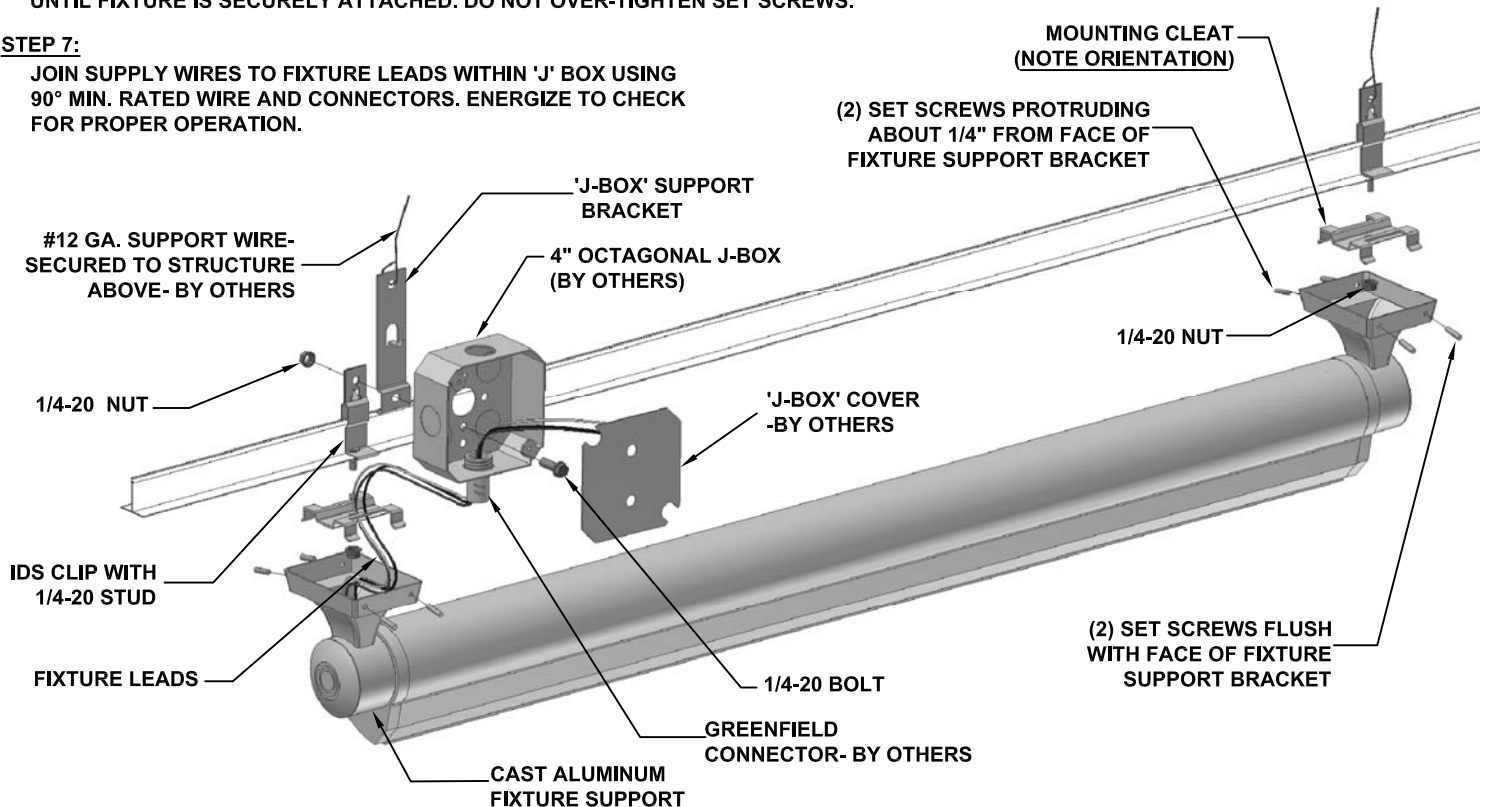
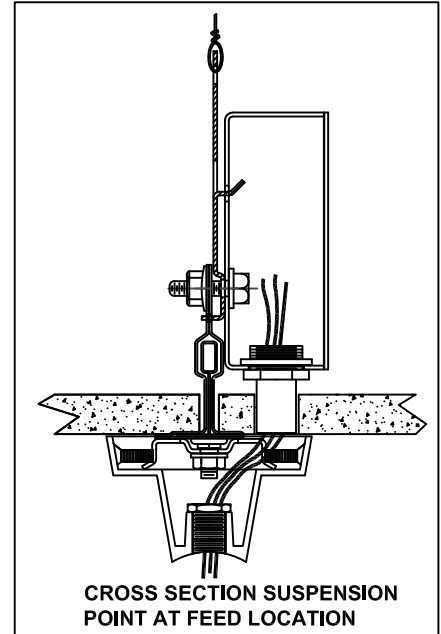
ROUTE FIXTURE LEADS BETWEEN LEGS OF MOUNTING CLEAT AND INTO JUNCTION BOX AS ILLUSTRATED.

STEP 6:

HOOK SIDE OF FIXTURE THAT HAS 2 SET SCREWS FLUSH WITH FACE OF SUPPORT BRACKET ONTO MOUNTING CLEATS AND TILT FIXTURE UP UNTIL IT IS FLUSH WITH BOTTOM OF 'T-BAR'. TIGHTEN SET SCREWS ON OPPOSITE SIDE OF SUPPORT BRACKET UNTIL FIXTURE IS SECURELY ATTACHED. DO NOT OVER-TIGHTEN SET SCREWS.

STEP 7:

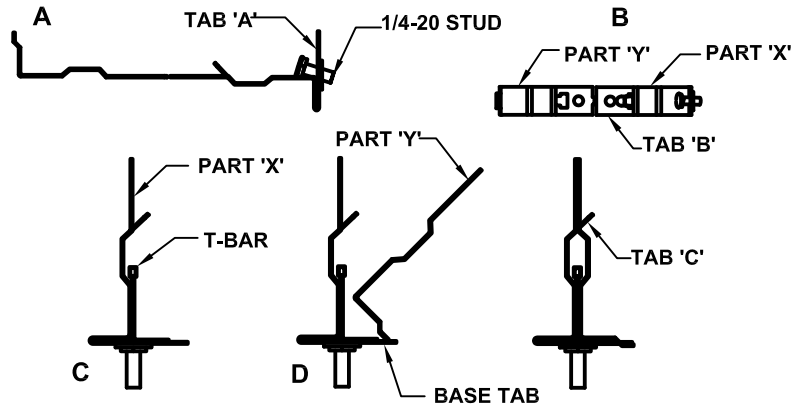
JOIN SUPPLY WIRES TO FIXTURE LEADS WITHIN 'J' BOX USING 90° MIN. RATED WIRE AND CONNECTORS. ENERGIZE TO CHECK FOR PROPER OPERATION.



ACCENTRA LED DIRECT CEILING T-BAR MOUNTING SAFETY AND INSTALLATION INSTRUCTIONS

IDS CLIP INSTALLATION DETAIL

- A)- ASSEMBLE 1/4-20 STUD & CLIP.
 * START STUD INTO RECESSED SQUARE HOLE.
 * GRASP CLIP IN HAND AND DEPRESS TAB 'A' WITH THUMB.
 * PULL STUD INTO PLACE AND RELEASE TAB 'A'.
- B)- SEPARATE CLIP INTO ITS TWO PARTS BY BENDING AT TAB 'B'.
- C)- PLACE PART X ON T-BAR.
- D)- INSERT BASE TAB ON PART 'Y' INTO SLOT. CLOSE PARTS X & Y, LOCKING WITH TAB 'C'.



ROW INSTALLATION

CAUTION

DO NOT ATTEMPT TO ASSEMBLE FIXTURE ROWS ON GROUND THEN LIFT INTO POSITION. ATTEMPTING TO ASSEMBLE & INSTALL FIXTURES IN THIS MANNER MAY CREATE STRESS AT CONNECTIONS RESULTING IN DAMAGE AND/OR MECHANICAL FAILURE.

STEP 1:

INSTALL IDS CLIPS, MOUNTING CLEATS AND 'J' BOX IN ACCORDANCE WITH STEPS 1 THROUGH 4 ON OPPOSITE PAGE. NOTE THAT 'J' BOX IS TO BE INSTALLED AT ROW END OPPOSITE OF FIRST FIXTURE.

STEP 2:

INSTALL FIRST FIXTURE IN ROW OBSERVING INSTRUCTIONS FOR INDIVIDUAL FIXTURE MOUNTING ON OPPOSITE PAGE.

STEP 3:

REMOVE REFLECTOR(S) FROM SECOND FIXTURE.

STEP 4:

INSTALL TEFLON WASHER IN RECESS ON END PLATE OF SECOND FIXTURE. SEE INSET IN BOTTOM RIGHT CORNER FOR PROPER ASSEMBLY.

STEP 5:

ROUTE FEED WIRES OF FIRST FIXTURE THROUGH END PLATE AND REFLECTOR MOUNTING BRACKET OF SECOND FIXTURE. INSTALL OPPOSITE END ON MOUNTING CLEAT PER STEP 6 ON OPPOSITE PAGE.

STEP 6:

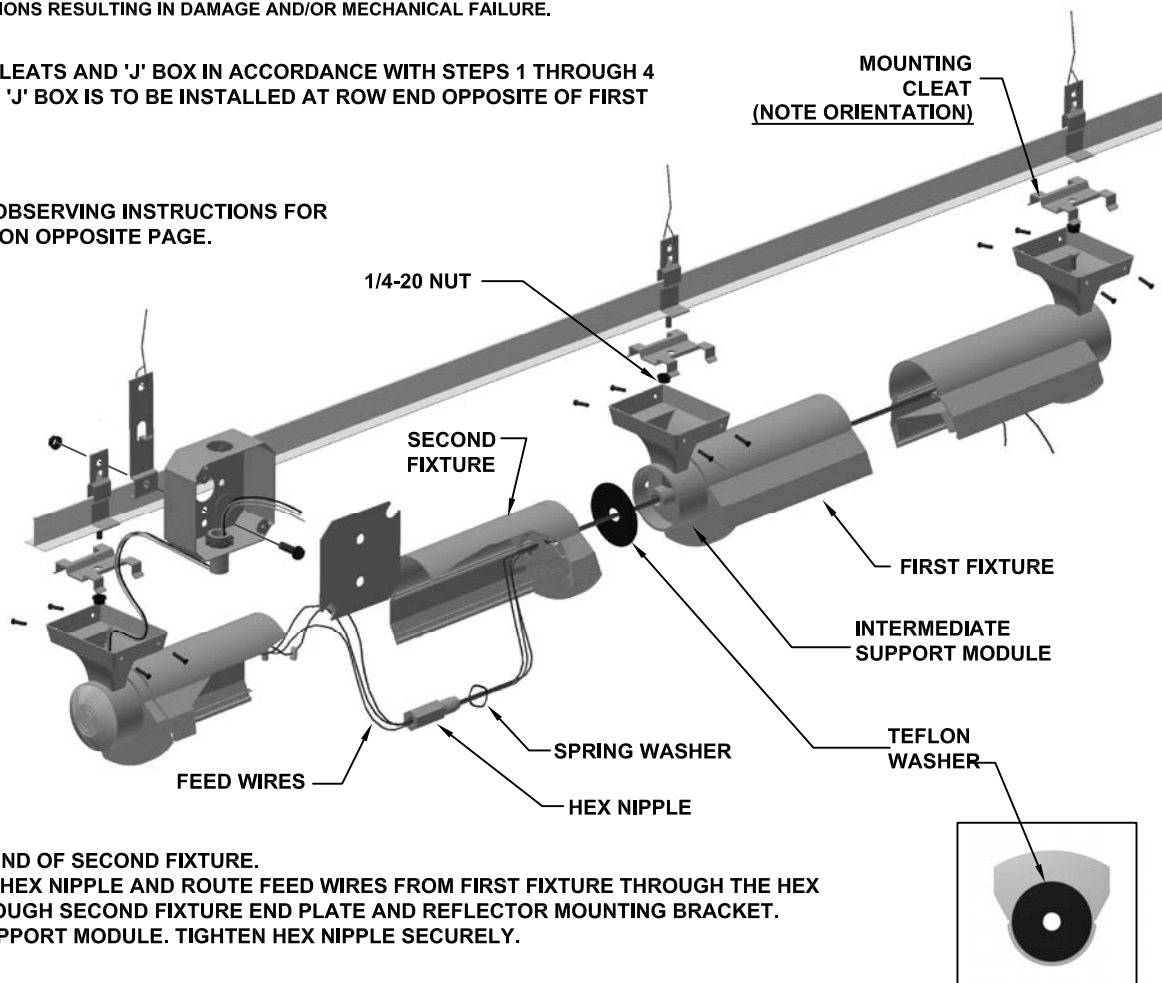
TEMPORARILY SUPPORT JOINT END OF SECOND FIXTURE. ASSEMBLE SPRING WASHER TO HEX NIPPLE AND ROUTE FEED WIRES FROM FIRST FIXTURE THROUGH THE HEX NIPPLE. GUIDE HEX NIPPLE THROUGH SECOND FIXTURE END PLATE AND REFLECTOR MOUNTING BRACKET. THREAD INTO INTERMEDIATE SUPPORT MODULE. TIGHTEN HEX NIPPLE SECURELY.

STEP 7:

CONNECT FIRST FIXTURE LEADS TO SECOND FIXTURE LEADS AND INSTALL REFLECTOR. REPEAT STEPS 3 THROUGH 7 FOR REMAINING FIXTURES IN ROW.

STEP 8:

JOIN SUPPLY WIRES TO FIXTURE LEADS WITHIN 'J' BOX USING 90° MIN. RATED WIRE AND CONNECTORS. ENERGIZE ROW AND CHECK FOR PROPER OPERATION.



INSET

