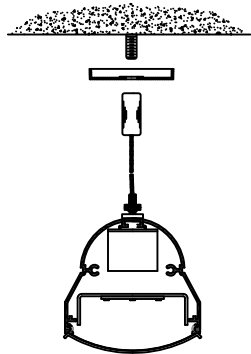


# ACCENTRA LED SUSPENDED MOUNTING SAFETY AND INSTALLATION INSTRUCTIONS

## **CAUTION:**

- \* BE CERTAIN THAT POWER TO FIELD WIRING HAS BEEN TURNED OFF PRIOR TO INSTALLATION.
- \* CONNECTIONS TO FIELD WIRES AND GROUNDING OF FIXTURES MUST BE DONE IN ACCORDANCE WITH APPLICABLE LOCAL & NATIONAL CODES. INSTALLATION MUST BE PERFORMED BY QUALIFIED PERSONNEL.
- \* IT IS INSTALLERS RESPONSIBILITY TO ENSURE THAT WALL, CEILING OR JUNCTION BOX IS STRUCTURALLY CAPABLE OF SUPPORTING WEIGHT OF FIXTURE .
- \* BE CERTAIN THAT SUPPLY VOLTAGE IS THE SAME AS THAT MARKED ON DRIVERS AND TRANSFORMERS.

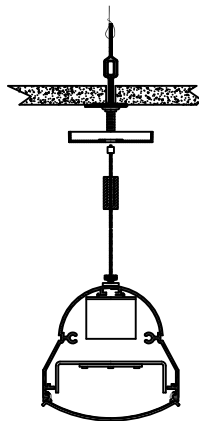
## **SINGLE FIXTURE INSTALLATION**



### **CABLE MOUNT- 'OFF-GRID' (CN)**

ACCENTRA FIXTURES INTENDED FOR 'OFF-GRID' CABLE MOUNTING ARE TO BE INSTALLED WITH AC10000 AND AFC10000 SERIES CABLE ASSEMBLIES. CABLE ASSEMBLIES ARE SEPARATELY SHIPPED AND ARE PROVIDED WITH INSTALLATION INSTRUCTIONS.

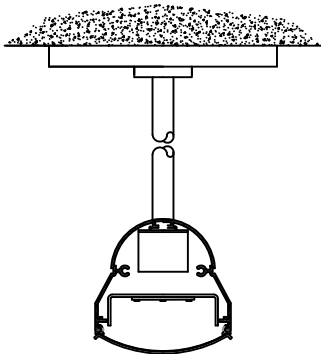
SEE INSTALLATION INSTRUCTION SHEET # 3750088



### **CABLE MOUNT 'ON-GRID' (CT)**

ACCENTRA FIXTURES INTENDED FOR 'ON-GRID' CABLE MOUNTING ARE TO BE INSTALLED WITH AC8000 AND AFC8000 SERIES CABLE ASSEMBLIES. CABLE ASSEMBLIES ARE SEPARATELY SHIPPED AND ARE PROVIDED WITH INSTALLATION INSTRUCTIONS.

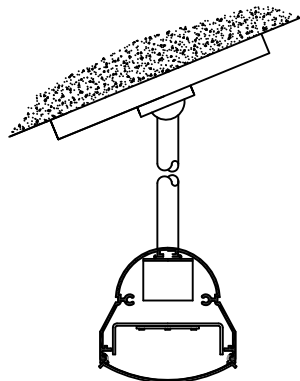
SEE INSTALLATION INSTRUCTION SHEET # 3750086



### **STEM MOUNT (P)**

ACCENTRA FIXTURES INTENDED FOR STEM MOUNTING ARE TO BE INSTALLED WITH P100 SERIES STEM ASSEMBLIES. STEM ASSEMBLIES ARE SEPARATELY SHIPPED AND ARE PROVIDED WITH INSTALLATION INSTRUCTIONS.

SEE INSTALLATION INSTRUCTION SHEET # 3750007



### **SWIVEL STEM MOUNT (K)**

ACCENTRA FIXTURES INTENDED FOR STEM MOUNTING ARE TO BE INSTALLED WITH K100 SERIES STEM ASSEMBLIES. STEM ASSEMBLIES ARE SEPARATELY SHIPPED AND ARE PROVIDED WITH INSTALLATION INSTRUCTIONS.

SEE INSTALLATION INSTRUCTION SHEET # 3750011

REFERENCE BACK PAGE FOR CONTINUOUS ROW INSTALLATION & CONNECTION TO CAST FITTINGS



# ACCENTRA LED SUSPENDED MOUNTING SAFETY AND INSTALLATION INSTRUCTIONS

## ROW INSTALLATION

### CAUTION

DO NOT ATTEMPT TO ASSEMBLE FIXTURE PATTERNS ON GROUND THEN LIFT INTO POSITION. ATTEMPTING TO ASSEMBLE & INSTALL FIXTURES IN THIS MANNER MAY CREATE STRESS AT CONNECTIONS RESULTING IN DAMAGE AND/OR MECHANICAL FAILURE.

#### STEP 1:

INSTALL FIRST FIXTURE IN ROW OBSERVING INSTRUCTIONS PROVIDED WITH MOUNTING HARDWARE AND SHOP DRAWINGS.

#### STEP 2:

REMOVE REFLECTOR FROM SECOND FIXTURE.

#### STEP 3:

INSTALL TEFLON WASHER IN RECESS ON SECOND FIXTURE END. SEE INSET AT RIGHT FOR PROPER ASSEMBLY.

#### STEP 4:

THREAD FIRST FIXTURE 'THRU' WIRES THROUGH END PLATE AND REFLECTOR MOUNTING BRACKET OF SECOND FIXTURE.

#### STEP 5:

ASSEMBLE SPRING WASHER TO HEX NIPPLE AND ROUTE FIRST FIXTURE 'THRU' WIRES THROUGH HEX NIPPLE.

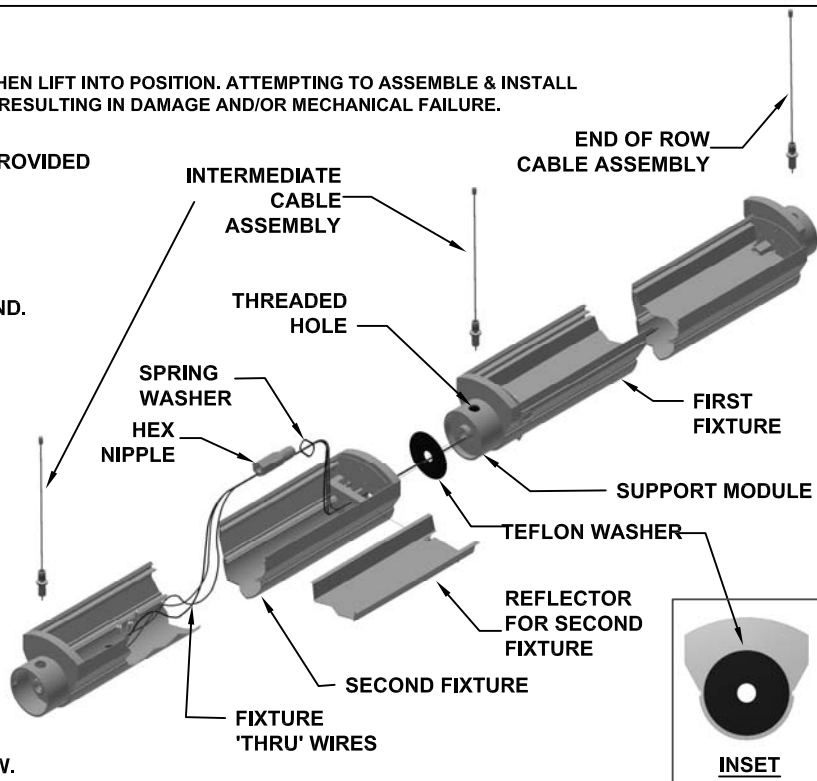
#### STEP 6:

GUIDE HEX NIPPLE THROUGH SECOND FIXTURE END PLATE AND THREAD INTO SUPPORT MODULE. TIGHTEN HEX NIPPLE SECURELY.

#### STEP 7:

CONNECT FIRST FIXTURE LEADS TO SECOND FIXTURE LEADS AND INSTALL REFLECTOR.

REPEAT STEPS 2 THROUGH 7 FOR REMAINING FIXTURES IN ROW.



## CONNECTION TO 90° CAST FITTING

### CAUTION

DO NOT ATTEMPT TO ASSEMBLE FIXTURE PATTERNS ON GROUND THEN LIFT INTO POSITION. ATTEMPTING TO ASSEMBLE & INSTALL FIXTURES IN THIS MANNER MAY CREATE STRESS AT CONNECTIONS RESULTING IN DAMAGE AND/OR MECHANICAL FAILURE.

#### STEP 1:

INSTALL SUSPENSION CABLES IN LOCATIONS INDICATED ON SHOP DRAWING OBSERVING INSTALLATION INSTRUCTIONS INCLUDED WITH EACH CABLE ASSEMBLY. NOTE THAT AC9000 SERIES CABLE ASSEMBLIES ALWAYS OCCUR AT CORNER.

#### STEP 2:

PUSH CABLE ASSEMBLY & FEED CORD (IF REQUIRED) THROUGH MARKED HOLES IN COVER AND SLIDE COVER UP ON CABLE ASSEMBLY AND CORD. TEMPORARILY SECURE.

#### STEP 3:

THREAD BARREL OF CABLE ASSEMBLY ONTO CENTER STUD OF 90° CONNECTOR AND TIGHTEN SECURELY.

#### STEP 4:

INSTALL NIPPLE ASSEMBLY THROUGH LEFT SIDE HOLE OF 90° CONNECTOR AND THREAD INTO FIRST FIXTURE SUPPORT MODULE. TIGHTEN SECURELY.

#### STEP 5:

GO TO OTHER END OF FIRST FIXTURE AND INSTALL APPROPRIATE CABLE ASSEMBLY.

#### STEP 6:

INSTALL REMAINING NIPPLE ASSEMBLY THROUGH RIGHT SIDE HOLE OF 90° CONNECTOR AND THREAD INTO SECOND FIXTURE SUPPORT MODULE. TIGHTEN SECURELY.

#### STEP 7:

GO TO OTHER END OF SECOND FIXTURE AND INSTALL APPROPRIATE CABLE ASSEMBLY.

#### STEP 8:

ROUTE LEADS FROM FIXTURE SUPPORT MODULES THROUGH NIPPLE ASSEMBLIES INTO 90° CONNECTOR. CONNECT FIXTURE LEADS & FEED CORD (IF REQUIRED). PUSH LEADS AND WIRE CONNECTORS INTO 90° CONNECTOR HOUSING AND ATTACH COVER WITH (2) COVER SCREWS PROVIDED.

#### STEP 9:

SNAP-IN ALL END CAPS AND LEVEL UNITS.

