

LUMINATA SUSPENDED, FLUORESCENT & LED SAFETY AND INSTALLATION INSTRUCTIONS

CAUTION:

- * BE CERTAIN THAT POWER TO FIELD WIRING HAS BEEN TURNED OFF PRIOR TO INSTALLATION.
- * CONNECTIONS TO FIELD WIRES AND GROUNDING OF FIXTURES MUST BE DONE IN ACCORDANCE WITH APPLICABLE LOCAL & NATIONAL CODES. INSTALLATION MUST BE PERFORMED BY QUALIFIED PERSONNEL.
- * IT IS INSTALLERS RESPONSIBILITY TO ENSURE THAT WALL, CEILING OR JUNCTION BOX IS STRUCTURALLY CAPABLE OF SUPPORTING WEIGHT OF FIXTURE .
- * BE CERTAIN THAT SUPPLY VOLTAGE IS THE SAME AS THAT MARKED ON BALLASTS AND TRANSFORMERS.

SINGLE FIXTURE INSTALLATION

CABLE MOUNT 'OFF GRID' (CN)

LUMINATA SUSPENDED FIXTURES INTENDED FOR 'OFF GRID' CABLE MOUNTING ARE TO BE INSTALLED WITH AC7000 & AFC7000 SERIES CABLE ASSEMBLIES. CABLE ASSEMBLIES ARE SEPARATELY SHIPPED AND ARE PROVIDED WITH INSTALLATION INSTRUCTIONS.

SEE INSTALLATION INSTRUCTION SHEET # 3750075

CABLE MOUNT "ON GRID" (CT)

LUMINATA SUSPENDED FIXTURES INTENDED FOR T-BAR CABLE MOUNTING ARE TO BE INSTALLED WITH AC4000 & AFC4000 SERIES CABLE ASSEMBLIES. CABLE ASSEMBLIES ARE SEPARATELY SHIPPED AND ARE PROVIDED WITH INSTALLATION INSTRUCTIONS.

SEE INSTALLATION INSTRUCTION SHEET # 3750058

RIGID STEM MOUNT (P)

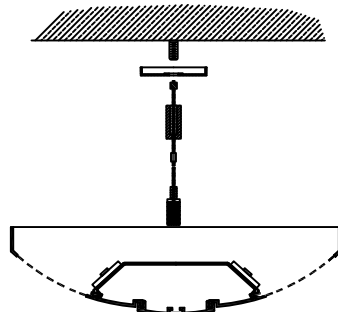
LUMINATA SUSPENDED FIXTURES INTENDED FOR 'RIGID' STEM MOUNTING ARE TO BE INSTALLED WITH P200 & P201 SERIES STEM ASSEMBLIES. STEM ASSEMBLIES ARE SEPARATELY SHIPPED AND ARE PROVIDED WITH INSTALLATION INSTRUCTIONS.

SEE INSTALLATION INSTRUCTION SHEET # 3750080

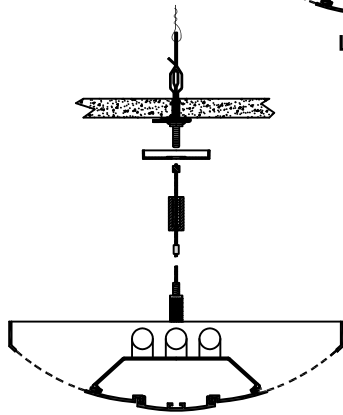
SWIVEL STEM MOUNT (K)

LUMINATA SUSPENDED FIXTURES INTENDED FOR SWIVEL STEM MOUNTING ARE TO BE INSTALLED WITH K200 & K201 SERIES SWIVEL STEM ASSEMBLIES. STEM ASSEMBLIES ARE SEPARATELY SHIPPED AND ARE PROVIDED WITH INSTALLATION INSTRUCTIONS.

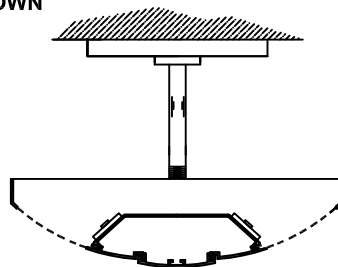
SEE INSTALLATION INSTRUCTION SHEET # 3750081



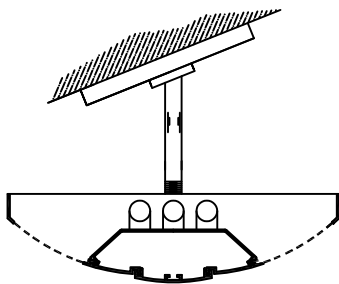
LED VERSION SHOWN



FLUORESCENT VERSION SHOWN



LED VERSION SHOWN



FLUORESCENT VERSION SHOWN

REFERENCE BACK PAGE FOR CONTINUOUS ROW INSTALLATION & CONNECTION TO CAST FITTINGS



LUMINATA SUSPENDED, FLUORESCENT & LED SAFETY AND INSTALLATION INSTRUCTIONS

ROW INSTALLATION

CAUTION

DO NOT ATTEMPT TO ASSEMBLE FIXTURE ROWS ON GROUND THEN LIFT INTO POSITION. ATTEMPTING TO ASSEMBLE & INSTALL FIXTURES IN THIS MANNER MAY CREATE STRESS AT CONNECTIONS RESULTING IN DAMAGE AND/OR MECHANICAL FAILURE.

STEP 1:

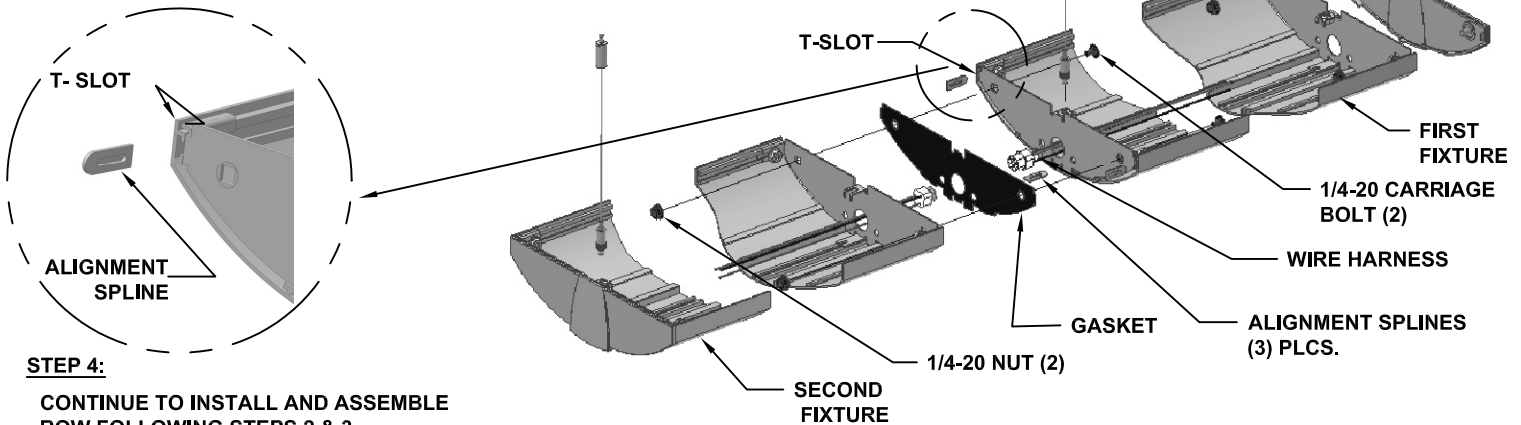
INSTALL FIRST FIXTURE IN ROW OBSERVING INSTRUCTIONS PROVIDED WITH MOUNTING HARDWARE AND SHOP DRAWING.

STEP 2:

POSITION SECOND FIXTURE AND GASKET PROVIDED SUCH THAT THEY ALIGN WITH JOINT END OF FIRST FIXTURE AND HANG OPPOSITE END WITH INTERMEDIATE CABLE ASSEMBLY AS ILLUSTRATED. PLUG WIRE HARNESSES TOGETHER & PUSH EXCESS WIRE INTO BALLAST CHAMBER.

STEP 3:

PUSH FIXTURES TIGHTLY TOGETHER MAKING SURE THAT THE 3 ALIGNMENT SPLINES SLIDE INTO THE 'T' SLOTS OF EACH FIXTURE. SECURE JOINT WITH 1/4-20 CARRIAGE BOLTS & NUTS PROVIDED.



STEP 4:

CONTINUE TO INSTALL AND ASSEMBLE ROW FOLLOWING STEPS 2 & 3.

CONNECTION TO CAST FITTINGS

CAUTION

DO NOT ATTEMPT TO ASSEMBLE FIXTURE PATTERNS ON GROUND THEN LIFT INTO POSITION. ATTEMPTING TO ASSEMBLE & INSTALL FIXTURES IN THIS MANNER MAY CREATE STRESS AT CONNECTIONS RESULTING IN DAMAGE AND/OR MECHANICAL FAILURE.

STEP 1:

INSTALL CONNECTOR WITH MOUNTING HARDWARE PROVIDED OBSERVING INSTRUCTIONS INCLUDED AND IN LOCATIONS INDICATED ON SHOP DRAWING.

STEP 2:

RAISE FIXTURE TO CONNECTOR AND JOIN SUCH THAT 1/4-20 STUDS ON CONNECTOR END PASS THROUGH MATING HOLES IN FIXTURE CROSS BRACE AND END PLATE TABS ARE ENGAGED IN 'T' SLOTS OF FIXTURE HOUSING. (IT MAY BE NECESSARY TO TAP THE END PLATE LIGHTLY WITH A RUBBER Mallet TO ENSURE END PLATE IS FULLY ENGAGED).

STEP 3:

SECURE FIXTURE TO CONNECTOR WITH 4- 1/4-20 NUTS PROVIDED. CONTINUE TO ASSEMBLE OTHER PATTERN COMPONENTS AS DESCRIBED ABOVE.

