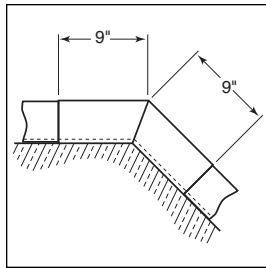
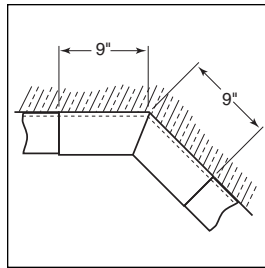


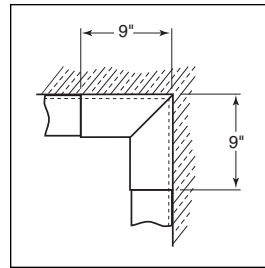
S P E C I F I C A T I O N S



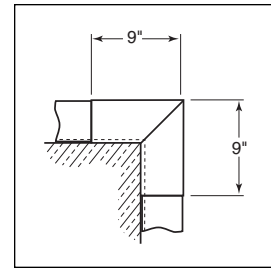
135° Outside Corner



135° Inside Corner



90° Inside Corner



90° Outside Corner

Paladia Perimeter Series 3" x 4" wall mounted indirect.

Construction Mitered and welded .060 thick extruded aluminum.

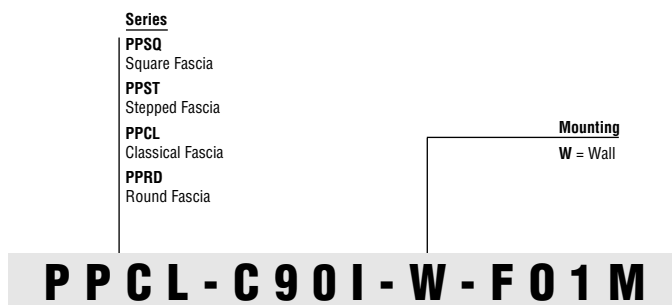
Finish Standard and premium finishes are baked powder coat electrostatically applied (2.0 mil. minimum thickness) to assure aesthetics and durability.

H O W T O O R D E R

Standard fittings are 135° Outside Corner, 135° Inside Corner, 90° Outside Corner, 90° Inside Corner.

Catalog Logic

All corner fittings should be specified and ordered as follows:



Corner Type

- C90I**
90° Inside
- C90O**
90° Outside
- C135I**
135° Inside
- C135O**
135° Outside

Standard Finish

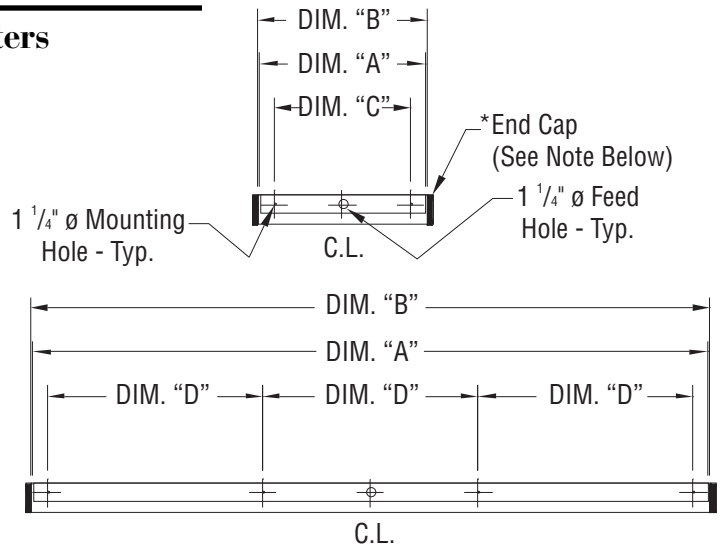
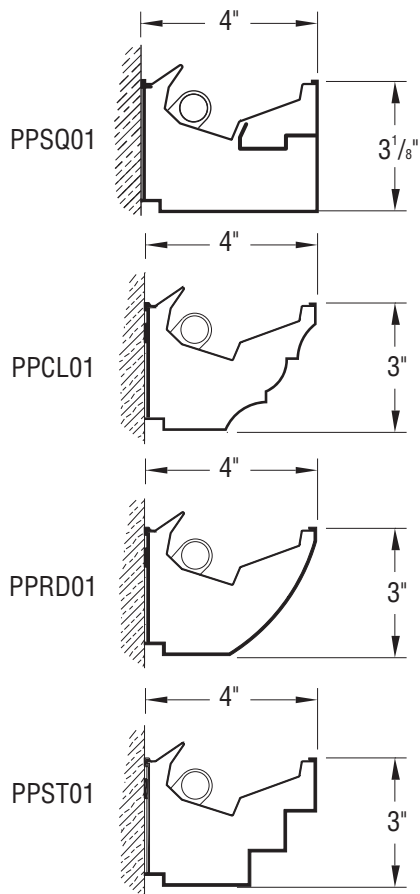
- F01M** Matte White
- F01G** Gloss White
- Premium Finishes**
- F02** Ivory
- F03** Stonewash
- F04** Camel
- F05** Gray Day
- F06** Pebble Beach
- F07** Steel
- F08** Gray Seal
- F09** Mocha
- F10** Bronzed
- F11** Black
- F12** Ultrasonic Clear
- F13** Merlot
- F14** Red Skies
- F15** Lemon
- F16** Forest Hunter
- F17** Olive
- F18** Khaki
- F19** Heather Green
- F20** Blue Print
- F21** Reflex Blue
- F22** Navy
- FCC** Custom Color

To view Wood Grain, Marble and Granite Finishes on our Website see "Products"--"Specialty Finishes".



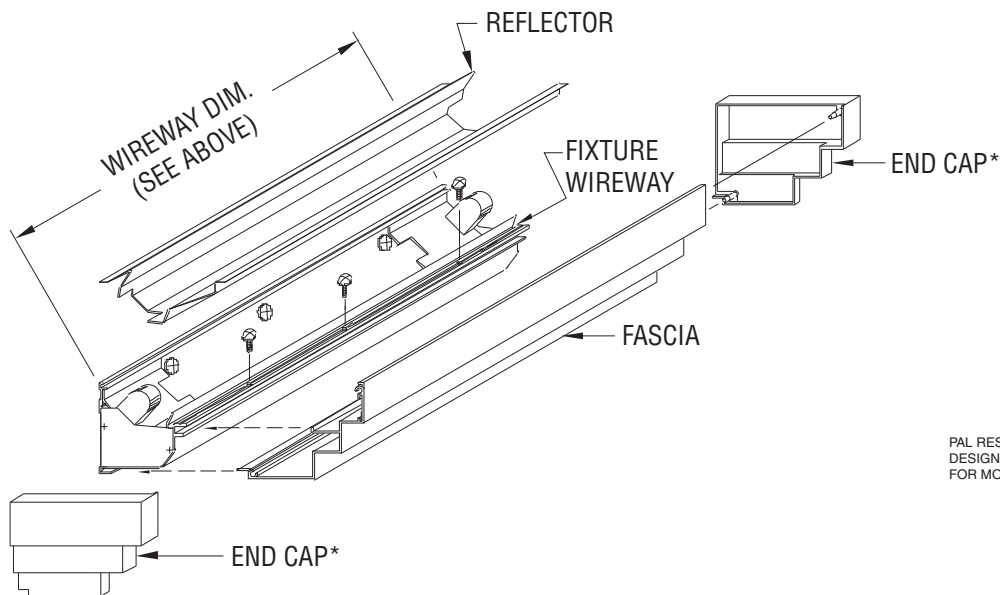
Paladia Perimeter Series (T8 Lamps)

Standard Fixture Lengths and Mounting Centers



Dim "A" (Wireway Length)	Dim "B" *(Fascia Length)	Mounting Centers	
		Dim. "C"	Dim. "D"
48" (Nom. 4 Ft.)	48"	42"	—
96" (Nom. 8 Ft.)	96"	—	30"
144" (Nom. 12 Ft.)	144"	—	42"

*Does not include fascia end caps.



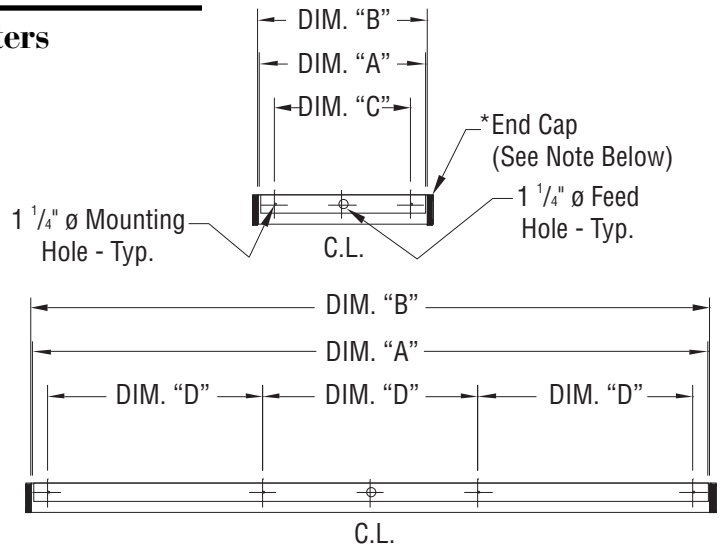
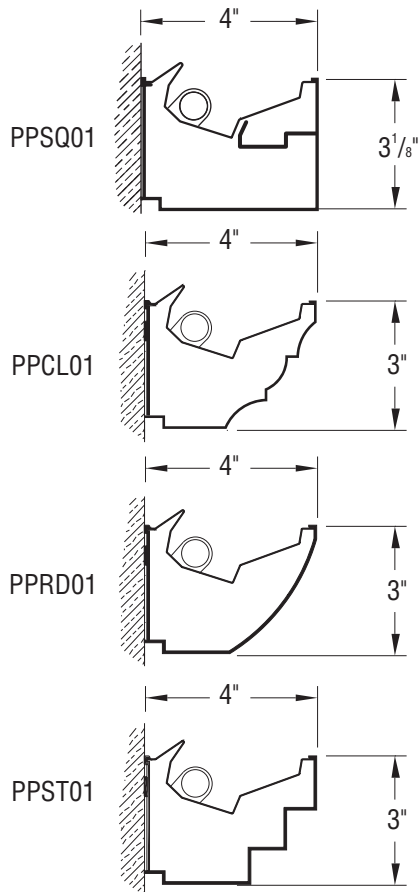
PAL RESERVES THE RIGHT TO CHANGE PRODUCT DESIGN AND SPECIFICATIONS. CONTACT FACTORY FOR MOST RECENT PRODUCT INFORMATION.

***Note:** End caps are used whenever the fixture or fixture row does not terminate against a wall or into a corner. Add 5/8" per End Cap to the overall length of fixture or fixture row. (1 1/4" total for 2 End Caps)



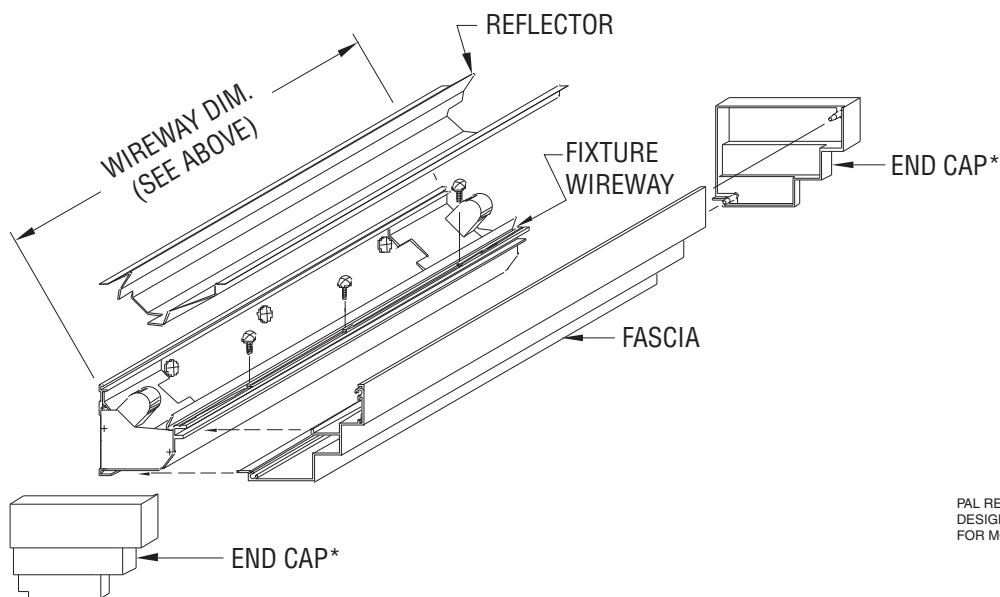
Paladia Perimeter Series (T5 and T5HO Lamps)

Standard Fixture Lengths and Mounting Centers



Dim "A" (Wireway Length)	Dim "B" *(Fascia Length)	Mounting Centers	
		Dim. "C"	Dim. "D"
46" (Nom. 4 Ft.)	46 1/4"	40"	—
92" (Nom. 8 Ft.)	92 1/4"	—	28"
138" (Nom. 12 Ft.)	138 1/4"	—	40"

*Does not include fascia end caps.



PAL RESERVES THE RIGHT TO CHANGE PRODUCT DESIGN AND SPECIFICATIONS. CONTACT FACTORY FOR MOST RECENT PRODUCT INFORMATION.

***Note:** End caps are used whenever the fixture or fixture row does not terminate against a wall or into a corner. Add 5/8" per End Cap to the overall length of fixture or fixture row. (1 1/4" total for 2 End Caps)

