

SYSTEM  
SOLUTIONS



# ACCENTRA™ LED




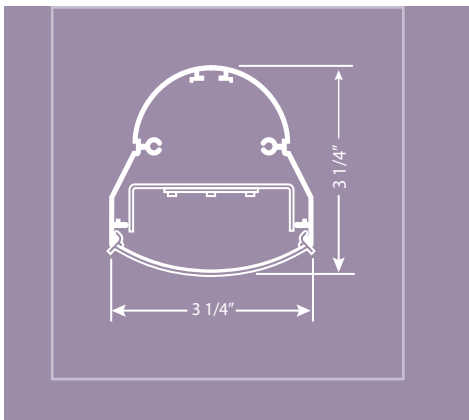
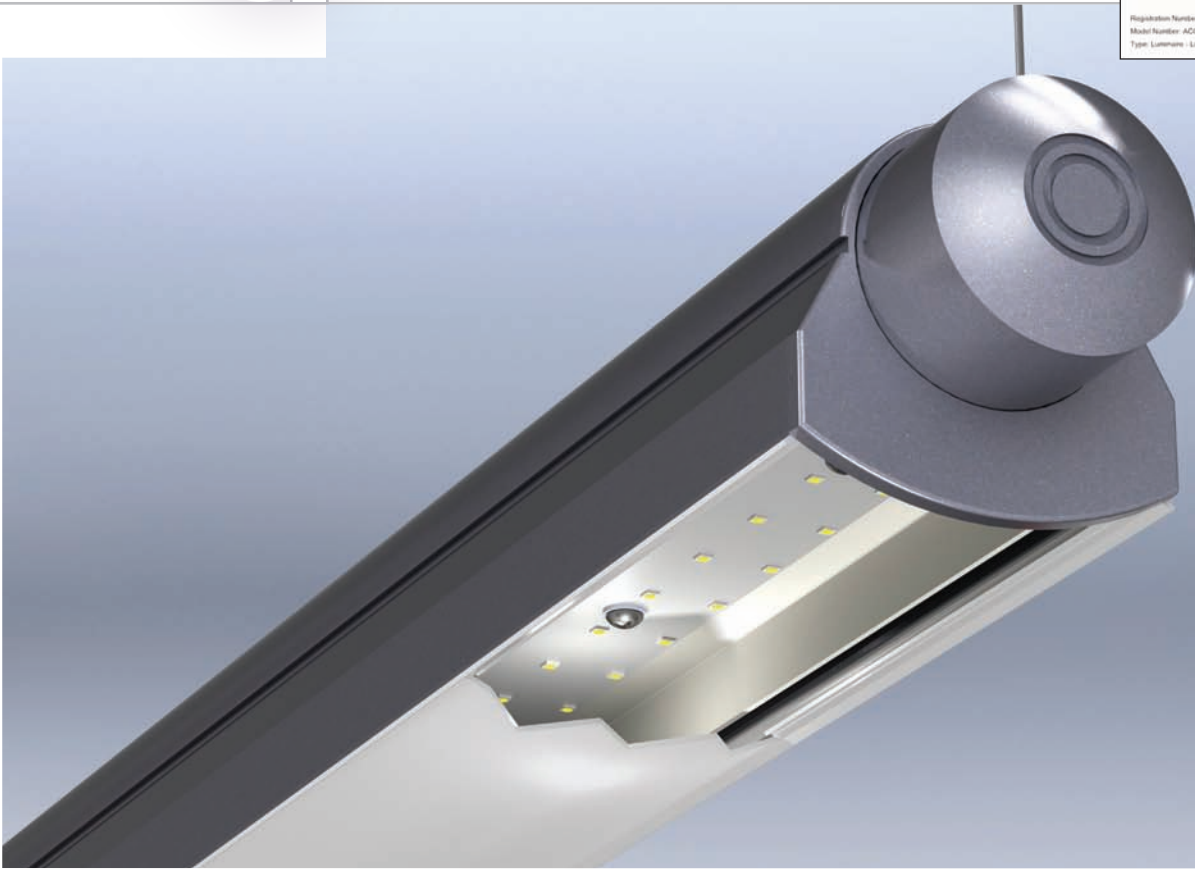
Precision  
Architectural  
Lighting

INTRODUCING

THE NEW ACCENTRA LED SYSTEM,  
A HIGHLY FLEXIBLE, FULLY ROTATABLE LIGHTING  
SOLUTION DRIVEN BY AN EFFICIENT LED SOURCE.

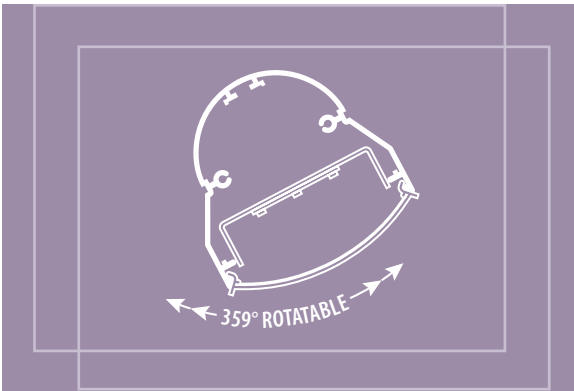
PERFORMANCE • QUALITY

LED lighting facts®	
A Program of the U.S. DOE	
Light Output (Lumens)	2106
Watts	23.9
Lumens per Watt (Efficacy)	88
Color Accuracy Color Rendering Index (CRI)	83
Light Color Correlated Color Temperature (CCT)	3455 (Bright White)
	
Warranty**	Yes
<small>All results, except LED Lumen Maintenance, are according to IESNA LM-79-2008. Approved Method for the Electrical and Photometric Testing of Solid State Lighting. The U.S. Department of Energy (DOE) verifies product test data and results.</small>	
<small>** See <a href="http://www.lightingfacts.com/products">www.lightingfacts.com/products</a> for details.</small>	
<small>Registration Number: 148P-M30250V (1/21/2014) Model Number: ACC-MO-106-4-L-04-120 Type: Luminaire - Linear</small>	



- *Efficacies as high as 88 lumens/watt*
- *Our proprietary extruded acrylic lens with holographic insert delivers optimized output*
- *Delivered lumens of 526/foot at medium output, 831/foot at high output*
- *Power consumption of approx. 6 watts/foot at medium output, approx. 10 watts/foot at high output*
- *Available with standard medium- or high output settings. Factory-programmable drivers allow for customized output to perfectly suit your application*
- *Average Color Rendering Index (CRI) of 83*

## FLEXIBLE SYSTEM SOLUTIONS



### THE ACCENTRA LED SYSTEM SOLUTION

PROVIDES WIDE-RANGING DESIGN FLEXIBILITY TO MEET A VARIETY OF APPLICATIONS.



- *Define your space utilizing Accentra LED's rotatable capability*
- *Targeted light output is delivered via programmable drivers*
- *Slim profile for enhanced aesthetic appeal*
- *LED source reduces lifetime cost, extends lifespan and increases ROI*
- *Choose from five color temperatures: 2700K, 3000K, 3500K, 4000K or 5000K*
- *Optional 90° die-cast connectors provide virtually unlimited pattern options*
- *High-quality extruded aluminum construction and precision die castings ensure the high level of quality you and your customers expect*
- *PAL's high level of personal service delivers a superior working experience for you and greater value for your customer*



**Precision  
Architectural  
Lighting**

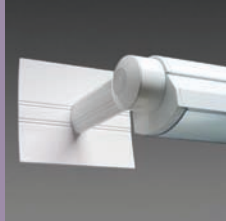
4830 Timber Creek Drive,  
Houston, TX 77017

P: 713.946.4343

F: 713.946.4441

www.pal-lighting.com

A premier manufacturer  
of architectural grade  
lighting systems,  
Precision Architectural  
Lighting combines  
quality craftsmanship,  
outstanding product  
performance and  
personalized customer  
support, partnering  
with you to ensure your  
complete satisfaction.



W=WALL



J=CEILING



P=STEM



C=CABLE



L90=90° CONNECTOR

# ACCENTRA™ LED

## SPECIFICATIONS

<b>SERIES</b>	ACCENTRA SERIES	ACC	ACC
<b>LUMEN OUTPUT</b>	Lumen ratings per 4' section (3500 K)		
HIGH OUTPUT	3326 Total Lumens-80 Lm/W	HO	
MEDIUM OUTPUT	2106 Total Lumens-88 Lm/W	MO	
<b>CCT</b>	3000 KELVIN	K30	
	3500 KELVIN	K35	
	4000 KELVIN	K40	
<b>STANDARD LENGTHS</b>	2', 3', 4', 6' AND 8'	2, 3, 4, 6, or 8	
<b>MOUNTING</b>	CABLE (15/16" TBAR) Fully Adjustable (36" Standard)	CT (length)	
	CABLE (NON-TBAR) Fully Adjustable (36" Standard)	CN (length)	
	RIGID STEM (Up to 48" Standard)	P (length)	
	SWIVEL STEM (Up to 48" Standard)	K (length)	
	TBAR CEILING MOUNTING	JT	
	NON-TBAR CEILING MOUNTING	JN	
	WALL (6", 12", 18", 24")	W (length)	
<b>OPTICAL CONTROL</b>	LED OPTIMIZED HIGH TRANSMITTANCE LENS	LOH	LOH
<b>FINISHES</b>	Standard Finish MATTE WHITE	F01M	
	Premium Finishes GLOSS WHITE	F01G	
	IVORY	F02	
	STONEWASH	F03	
	CAMEL	F04	
	GRAY DAY	F05	
	PEBBLE BEACH	F06	
	STEEL	F07	
	GRAY SEAL	F08	
	MOCHA	F09	
	BRONZED	F10	
	GLOSS BLACK	F11	
	MATTE BLACK	F11M	
	ULTRASONIC CLEAR	F12	
	MERLOT	F13	
	RED SKIES	F14	
	LEMON	F15	
	FOREST HUNTER	F16	
	BLUE PRINT	F20	
	REFLEX BLUE	F21	
	NAVY	F22	
	CUSTOM COLOR	FCC	
<b>VOLTAGE</b>	120, 277	120V or 277V	
<b>OPTIONS</b>	NIGHT LIGHT CIRCUIT (Common Neutral)	NLCKT	
	EMERGENCY CIRCUIT (Separate Hot and Neutral)	EMCKT	
	EMERGENCY BATTERY PACK (7 Watt)	EBPL	
	EMERGENCY BATTERY PACK (10 Watt)	EBPH	
	DIMMING	DIM	
	FUSED DRIVERS	FS	
	GENERATOR TRANSFER DEVICE	GTD	
	DAMP LOCATION	DL	
	90° CONNECTOR	L90	