



LTL NUMBER: 08328

DATE: 08-24-2004

PREPARED FOR: PRECISION ARCHITECTURAL LIGHTING

CATALOG NUMBER: ACC02-4-X-OP-X-120-T5HO

LUMINAIRE: EXTRUDED ALUMINUM HOUSING, FORMED WHITE ENAMEL ALUMINUM REFLECTOR, OPEN TOP.

LAMPS: TWO 54 WATT HIGH OUTPUT T5 LINEAR FLUORESCENT LAMPS RATED AT 4400 LUMENS EACH.

LAMP CATALOG NUMBER: SYLVANIA FP54/841/HO

BALLAST: ONE SYLVANIA QTP2X54T5HO/UNV PSN

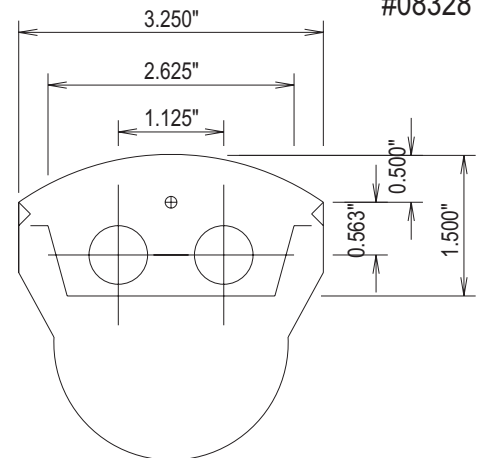
MOUNTING: PENDANT

LUMEN TO CANDELA RATIO USED = 9.18

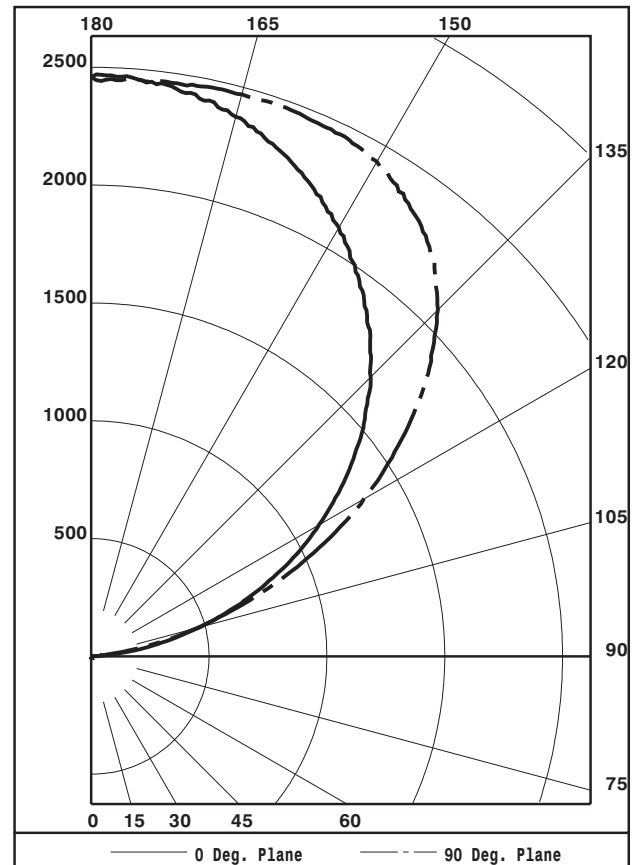
TOTAL INPUT WATTS =122.7 AT 120.0 VOLTS

THE 0 DEGREE PLANE IS PARALLEL WITH THE LAMPS.

#08328



| CANDELA DISTRIBUTION |      |      |      |      |      | FLUX |
|----------------------|------|------|------|------|------|------|
|                      | 0.0  | 22.5 | 45.0 | 67.5 | 90.0 |      |
| 0                    | 0    | 0    | 0    | 0    | 0    | 0    |
| 5                    | 0    | 0    | 0    | 0    | 0    | 0    |
| 15                   | 0    | 0    | 0    | 0    | 0    | 0    |
| 25                   | 0    | 0    | 0    | 0    | 0    | 0    |
| 35                   | 0    | 0    | 0    | 0    | 0    | 0    |
| 45                   | 0    | 0    | 0    | 0    | 0    | 0    |
| 55                   | 0    | 0    | 0    | 0    | 0    | 0    |
| 65                   | 0    | 0    | 0    | 0    | 0    | 0    |
| 75                   | 0    | 0    | 0    | 0    | 0    | 0    |
| 85                   | 0    | 0    | 0    | 1    | 0    | 0    |
| 90                   | 0    | 0    | 0    | 2    | 2    | 0    |
| 95                   | 85   | 102  | 52   | 42   | 43   | 92   |
| 105                  | 475  | 603  | 536  | 477  | 464  | 554  |
| 115                  | 912  | 1148 | 1112 | 1061 | 1043 | 1060 |
| 125                  | 1316 | 1546 | 1637 | 1617 | 1609 | 1399 |
| 135                  | 1677 | 1837 | 2014 | 2069 | 2081 | 1502 |
| 145                  | 1974 | 2067 | 2239 | 2323 | 2347 | 1377 |
| 155                  | 2207 | 2257 | 2359 | 2432 | 2452 | 1082 |
| 165                  | 2370 | 2384 | 2436 | 2459 | 2469 | 686  |
| 175                  | 2454 | 2450 | 2463 | 2456 | 2455 | 234  |
| 180                  | 2460 | 2460 | 2460 | 2460 | 2460 |      |



| ZONAL LUMEN SUMMARY |        |       |       |
|---------------------|--------|-------|-------|
| ZONE                | LUMENS | %LAMP | %FIXT |
| 0- 30               | 0      | 0.0   | 0.0   |
| 0- 40               | 0      | 0.0   | 0.0   |
| 0- 60               | 0      | 0.0   | 0.0   |
| 0- 90               | 0      | 0.0   | 0.0   |
| 90-120              | 1706   | 19.4  | 21.4  |
| 90-130              | 3105   | 35.3  | 38.9  |
| 90-150              | 5984   | 68.0  | 74.9  |
| 90-180              | 7986   | 90.8  | 100.0 |
| 0-180               | 7987   | 90.8  | 100.0 |

TOTAL LUMINAIRE EFFICIENCY: 90.8%  
CIE TYPE: INDIRECT

TESTED BY HERSCHEL SCHRECK  
CHECKED BY MIKE GRATHER





LUMINAIRE TESTING LABORATORY, INC.



905 Harrison Street · Allentown, PA 18103 · (610) 770-1044 · Fax (610) 770-8912 · www.LuminaireTesting.com

LTL NUMBER: 08328

DATE: 08-24-2004

PREPARED FOR: PRECISION ARCHITECTURAL LIGHTING

COEFFICIENTS OF UTILIZATION - ZONAL CAVITY METHOD

EFFECTIVE FLOOR CAVITY REFLECTANCE 0.20

| RC | 80 |    |    |    | 70 |    |    |    | 50 |    |    | 30 |    |    | 10 |    |    | 0 |
|----|----|----|----|----|----|----|----|----|----|----|----|----|----|----|----|----|----|---|
|    | 70 | 50 | 30 | 10 | 70 | 50 | 30 | 10 | 50 | 30 | 10 | 50 | 30 | 10 | 50 | 30 | 10 |   |
| 0  | 86 | 86 | 86 | 86 | 74 | 74 | 74 | 74 | 50 | 50 | 50 | 29 | 29 | 29 | 9  | 9  | 9  | 0 |
| 1  | 79 | 75 | 72 | 69 | 67 | 64 | 62 | 59 | 44 | 42 | 41 | 25 | 24 | 24 | 8  | 8  | 8  | 0 |
| 2  | 71 | 65 | 60 | 56 | 61 | 56 | 52 | 48 | 38 | 36 | 34 | 22 | 21 | 20 | 7  | 7  | 6  | 0 |
| 3  | 65 | 57 | 51 | 46 | 55 | 49 | 44 | 40 | 34 | 31 | 28 | 19 | 18 | 17 | 6  | 6  | 5  | 0 |
| 4  | 59 | 50 | 44 | 39 | 50 | 43 | 38 | 34 | 30 | 26 | 24 | 17 | 15 | 14 | 6  | 5  | 5  | 0 |
| 5  | 54 | 45 | 38 | 33 | 46 | 38 | 33 | 29 | 26 | 23 | 20 | 15 | 13 | 12 | 5  | 4  | 4  | 0 |
| 6  | 50 | 40 | 33 | 28 | 42 | 34 | 29 | 25 | 24 | 20 | 17 | 14 | 12 | 10 | 4  | 4  | 3  | 0 |
| 7  | 46 | 36 | 29 | 24 | 39 | 31 | 25 | 21 | 21 | 18 | 15 | 12 | 10 | 9  | 4  | 3  | 3  | 0 |
| 8  | 42 | 32 | 26 | 21 | 36 | 28 | 22 | 19 | 19 | 16 | 13 | 11 | 9  | 8  | 4  | 3  | 3  | 0 |
| 9  | 39 | 29 | 23 | 19 | 33 | 25 | 20 | 16 | 17 | 14 | 12 | 10 | 8  | 7  | 3  | 3  | 2  | 0 |
| 10 | 36 | 26 | 20 | 16 | 31 | 23 | 18 | 14 | 16 | 12 | 10 | 9  | 7  | 6  | 3  | 2  | 2  | 0 |

THIS TEST WAS CONDUCTED USING RELATIVE PHOTOMETRY TECHNIQUES ACCORDING TO STANDARD IESNA PROCEDURES. THE USER MUST THEREFORE USE CAUTION IN THE FOLLOWING SITUATIONS: 1) THIS TEST WAS PERFORMED USING A SPECIFIC BALLAST/LAMP COMBINATION. EXTRAPOLATION OF THESE DATA FOR OTHER BALLAST/LAMP COMBINATIONS MAY PRODUCE ERRONEOUS RESULTS. 2) ACCORDING TO IESNA PROCEDURES, THE BALLAST(S) AND LAMP(S) ARE PRESUMED TO PRODUCE 100% OF RATED OUTPUT. AN APPROPRIATE BALLAST FACTOR MUST BE APPLIED TO THE LUMEN OUTPUT RATINGS AND LUMINOUS INTENSITY VALUES GIVEN. 3) THIS TEST WAS CONDUCTED IN A CONTROLLED LABORATORY ENVIRONMENT WHERE THE AMBIENT TEMPERATURE WAS HELD AT 25 C ± 1 C. FIELD PERFORMANCE MAY DIFFER PARTICULARLY IN REGARDS TO CHANGE IN LUMINOUS OUTPUT AS A RESULT OF DIFFERENCE IN AMBIENT TEMPERATURE AND METHOD OF MOUNTING THE LUMINAIRE.



LUMINAIRE TESTING LABORATORY, INC.



905 Harrison Street · Allentown, PA 18103 · (610) 770-1044 · Fax (610) 770-8912 · www.LuminaireTesting.com

INITIAL ILLUMINATION OF 50 FOOTCANDLES USING LTL TEST NUMBER 08328  
 LUMINAIRE SUSPENSION LENGTH = 1.5  
 WORKING PLANE HEIGHT = 2.50  
 FLOOR REFLECTANCE = 20

| ROOM HT |        | 8  |    |    |    | 9  |    |    |    | 10 |    |    |    | 12 |    |    |    |
|---------|--------|----|----|----|----|----|----|----|----|----|----|----|----|----|----|----|----|
| CEIL RF |        | 80 |    | 70 |    | 80 |    | 70 |    | 80 |    | 70 |    | 80 |    | 70 |    |
| WALL RF |        | 70 | 50 | 50 | 30 | 70 | 50 | 50 | 30 | 70 | 50 | 50 | 30 | 70 | 50 | 50 | 30 |
| WIDTH   | LENGTH |    |    |    |    |    |    |    |    |    |    |    |    |    |    |    |    |
| 10.     | 10.    | 1  | 2  | 2  | 2  | 2  | 2  | 2  | 2  | 2  | 2  | 2  | 2  | 2  | 2  | 3  | 3  |
| 10.     | 15.    | 2  | 2  | 2  | 3  | 2  | 2  | 3  | 3  | 2  | 2  | 3  | 3  | 2  | 3  | 3  | 4  |
| 15.     | 20.    | 3  | 3  | 4  | 4  | 3  | 3  | 4  | 4  | 3  | 4  | 4  | 5  | 4  | 4  | 5  | 5  |
| 15.     | 30.    | 4  | 4  | 5  | 5  | 4  | 5  | 5  | 6  | 4  | 5  | 6  | 6  | 5  | 6  | 6  | 7  |
| 20.     | 20.    | 4  | 4  | 5  | 5  | 4  | 4  | 5  | 5  | 4  | 4  | 5  | 6  | 4  | 5  | 6  | 6  |
| 20.     | 30.    | 5  | 5  | 6  | 7  | 5  | 6  | 7  | 7  | 5  | 6  | 7  | 8  | 6  | 7  | 8  | 9  |
| 20.     | 40.    | 7  | 7  | 8  | 9  | 7  | 7  | 8  | 9  | 7  | 8  | 9  | 10 | 7  | 8  | 10 | 11 |
| 20.     | 60.    | 9  | 10 | 12 | 12 | 10 | 10 | 12 | 13 | 10 | 11 | 13 | 14 | 11 | 12 | 14 | 15 |
| 30.     | 30.    | 7  | 8  | 9  | 9  | 7  | 8  | 9  | 10 | 8  | 8  | 10 | 10 | 8  | 9  | 10 | 11 |
| 30.     | 40.    | 9  | 10 | 11 | 12 | 10 | 10 | 12 | 12 | 10 | 11 | 12 | 13 | 10 | 11 | 13 | 14 |
| 30.     | 50.    | 11 | 12 | 14 | 15 | 12 | 12 | 14 | 15 | 12 | 13 | 15 | 16 | 13 | 14 | 16 | 17 |
| 30.     | 60.    | 14 | 14 | 16 | 17 | 14 | 15 | 17 | 18 | 14 | 15 | 18 | 19 | 15 | 16 | 19 | 20 |
| 60.     | 60.    | 26 | 26 | 31 | 32 | 26 | 27 | 32 | 33 | 27 | 28 | 32 | 34 | 27 | 29 | 34 | 36 |
| 60.     | 80.    | 34 | 35 | 41 | 41 | 34 | 35 | 41 | 43 | 35 | 36 | 42 | 44 | 36 | 38 | 44 | 46 |
| 60.     | 100.   | 42 | 43 | 50 | 51 | 42 | 44 | 51 | 52 | 43 | 45 | 52 | 54 | 44 | 46 | 54 | 57 |
| 100.    | 100.   | 69 | 70 | 82 | 83 | 69 | 71 | 83 | 84 | 70 | 72 | 84 | 86 | 71 | 74 | 87 | 89 |

QUANTITY OF LUMINAIRES