



LTL NUMBER: 08329

DATE: 08-24-2004

PREPARED FOR: PRECISION ARCHITECTURAL LIGHTING

CATALOG NUMBER: ACC02-4-X-BW-X-120-T5HO

LUMINAIRE: EXTRUDED ALUMINUM HOUSING, FORMED WHITE ENAMEL ALUMINUM REFLECTOR, 47 CELL, 1/2" DEEP, FORMED WHITE ENAMEL ALUMINUM BAFFLE.

LAMPS: TWO 54 WATT HIGH OUTPUT T5 LINEAR FLUORESCENT LAMPS RATED AT 4400 LUMENS EACH.

LAMP CATALOG NUMBER: SYLVANIA FP54/841/HO

BALLAST: ONE SYLVANIA QTP2X54T5HO/UNV PSN

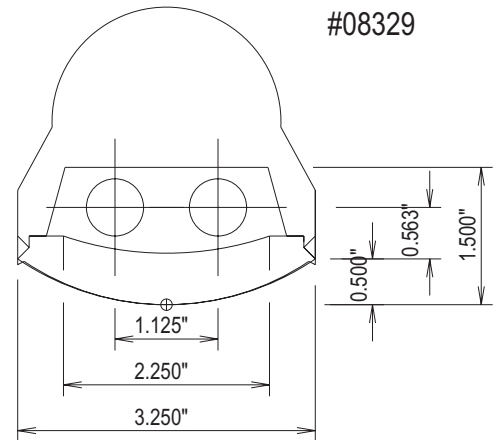
MOUNTING: PENDANT

LUMEN TO CANDELA RATIO USED = 9.18

TOTAL INPUT WATTS =101.5 AT 120.0 VOLTS

THE 0 DEGREE PLANE IS PARALLEL WITH THE LAMPS.

#08329



CANDELA DISTRIBUTION

FLUX

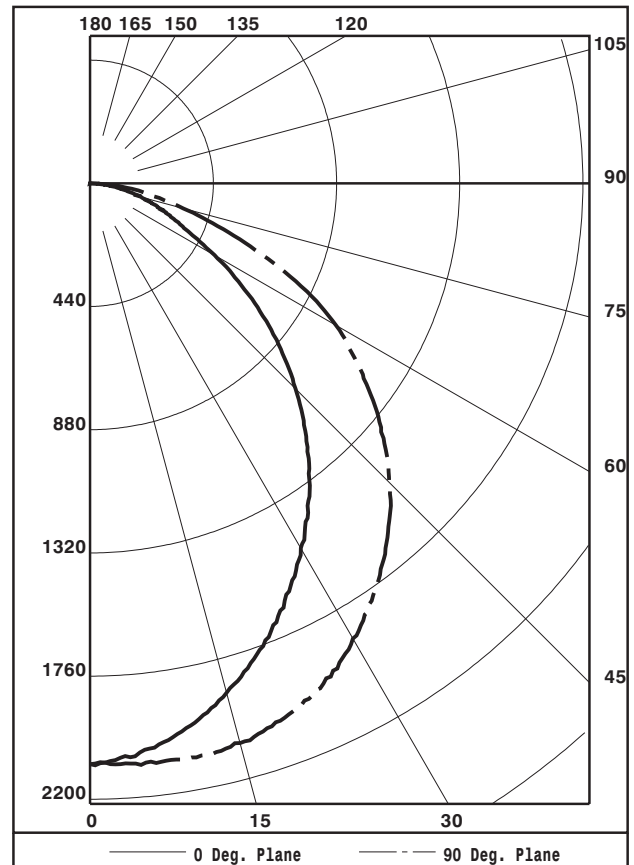
Table with 6 columns: Candela values at 0, 5, 15, 25, 35, 45, 55, 65, 75, 85, 90, 95, 105, 115, 125, 135, 145, 155, 165, 175, 180 degrees. Includes a Flux column on the right.

ZONAL LUMEN SUMMARY

Table with 4 columns: Zone, Lumens, %LAMP, %FIXT. Shows cumulative lumen and percentage data for various zones.

TOTAL LUMINAIRE EFFICIENCY: 60.4%

CIE TYPE: DIRECT
PLANE: 0-DEG 90-DEG
SPACING CRITERIA: 1.1 1.3
SHIELDING ANGLES: 29 12



TESTED BY HERSCHEL SCHRECK
CHECKED BY MIKE GRATHER



LUMINAIRE TESTING LABORATORY, INC.



905 Harrison Street · Allentown, PA 18103 · (610) 770-1044 · Fax (610) 770-8912 · www.LuminaireTesting.com

LTL NUMBER: 08329

DATE: 08-24-2004

PREPARED FOR: PRECISION ARCHITECTURAL LIGHTING

COEFFICIENTS OF UTILIZATION - ZONAL CAVITY METHOD
EFFECTIVE FLOOR CAVITY REFLECTANCE 0.20

Table with 18 columns (RC, RW, 80, 70, 50, 30, 10, 0) and 11 rows (0-10) showing utilization coefficients.

PLANE: 0-DEG 90-DEG
LUMINOUS LENGTH: 46.000 2.250
HEIGHT OF SIDE: 0.000 0.500

Table with 4 columns (ANGLE IN DEG, AVERAGE 0-DEG, AVERAGE 45-DEG, AVERAGE 90-DEG) and 6 rows (0, 45, 55, 65, 75, 85) showing luminance values.



LTL NUMBER: 08329

DATE: 08-24-2004

PREPARED FOR: PRECISION ARCHITECTURAL LIGHTING

CANDELA DISTRIBUTION

ZONAL LUMEN SUMMARY

Table with 6 columns: Candela values at 0.0, 22.5, 45.0, 67.5, 90.0 degrees and Zonal Lumen Summary values for 5-degree intervals from 0-5 to 175-180.

THIS TEST WAS CONDUCTED USING RELATIVE PHOTOMETRY TECHNIQUES ACCORDING TO STANDARD IESNA PROCEDURES. THE USER MUST THEREFORE USE CAUTION IN THE FOLLOWING SITUATIONS: 1) THIS TEST WAS PERFORMED USING A SPECIFIC BALLAST/LAMP COMBINATION. EXTRAPOLATION OF THESE DATA FOR OTHER BALLAST/LAMP COMBINATIONS MAY PRODUCE ERRONEOUS RESULTS. 2) ACCORDING TO IESNA PROCEDURES, THE BALLAST(S) AND LAMP(S) ARE PRESUMED TO PRODUCE 100% OF RATED OUTPUT. AN APPROPRIATE BALLAST FACTOR MUST BE APPLIED TO THE LUMEN OUTPUT RATINGS AND LUMINOUS INTENSITY VALUES GIVEN. 3) THIS TEST WAS CONDUCTED IN A CONTROLLED LABORATORY ENVIRONMENT WHERE THE AMBIENT TEMPERATURE WAS HELD AT 25 C ± 1 C. FIELD PERFORMANCE MAY DIFFER PARTICULARLY IN REGARDS TO CHANGE IN LUMINOUS OUTPUT AS A RESULT OF DIFFERENCE IN AMBIENT TEMPERATURE AND METHOD OF MOUNTING THE LUMINAIRE.



LUMINAIRE TESTING LABORATORY, INC.



905 Harrison Street · Allentown, PA 18103 · (610) 770-1044 · Fax (610) 770-8912 · www.LuminaireTesting.com

INITIAL ILLUMINATION OF 50 FOOTCANDLES USING LTL TEST NUMBER 08329  
 LUMINAIRE SUSPENSION LENGTH = 1.5  
 WORKING PLANE HEIGHT = 2.50  
 FLOOR REFLECTANCE = 20

ROOM HT		8				9				10				12			
CEIL RF		80		70		80		70		80		70		80		70	
WALL RF		70	50	50	30	70	50	50	30	70	50	50	30	70	50	50	30
WIDTH	LENGTH																
10.	10.	2	2	2	2	2	2	2	2	2	2	2	2	2	2	2	3
10.	15.	2	2	2	2	2	2	2	3	2	3	3	3	3	3	3	4
15.	20.	3	4	4	4	4	4	4	4	4	4	4	5	4	5	5	5
15.	30.	5	5	5	5	5	5	5	6	5	6	6	6	5	6	6	7
20.	20.	4	5	5	5	4	5	5	5	5	5	5	6	5	6	6	6
20.	30.	6	6	6	7	6	7	7	7	6	7	7	7	7	8	8	8
20.	40.	8	8	8	9	8	8	9	9	8	9	9	10	9	10	10	11
20.	60.	11	12	12	12	11	12	12	13	12	13	13	14	12	13	14	15
30.	30.	8	9	9	9	9	9	9	10	9	10	10	10	9	10	10	11
30.	40.	11	11	12	12	11	12	12	13	11	12	12	13	12	13	13	14
30.	50.	13	14	14	15	14	14	15	15	14	15	15	16	15	16	16	17
30.	60.	16	17	17	17	16	17	17	18	17	17	18	19	17	19	19	20
60.	60.	30	31	32	33	31	32	33	34	31	33	33	34	32	34	35	36
60.	80.	40	41	42	43	41	42	43	44	41	43	44	45	42	44	45	47
60.	100.	50	51	52	53	50	52	53	54	51	53	54	55	52	54	56	58
100.	100.	82	83	85	86	83	84	86	88	83	85	87	89	85	87	89	92

QUANTITY OF LUMINAIRES