



LTL NUMBER: 08439

DATE: 10-08-2004

PREPARED FOR: PRECISION ARCHITECTURAL LIGHTING

CATALOG NUMBER: ACC01-4-X-WDOP-X-120-T5HO

LUMINAIRE: EXTRUDED ALUMINUM HOUSING, FORMED SPECULAR ALUMINUM REFLECTOR, OPEN TOP.

LAMP: ONE 54 WATT HIGH OUTPUT T5 LINEAR FLUORESCENT LAMP RATED AT 4400 LUMENS.

LAMP CATALOG NUMBER: SYLVANIA FP54/841/HO

BALLAST: ONE UNIVERSAL LIGHTING TECHNOLOGIES B254PUNV-D

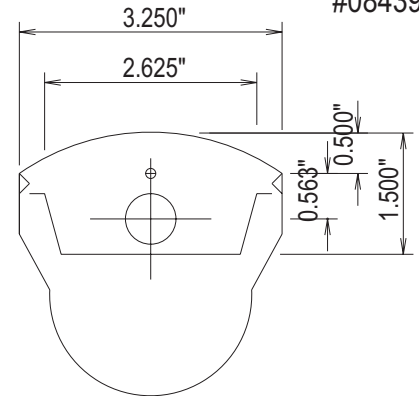
MOUNTING: PENDANT

LUMEN TO CANDELA RATIO USED = 9.18

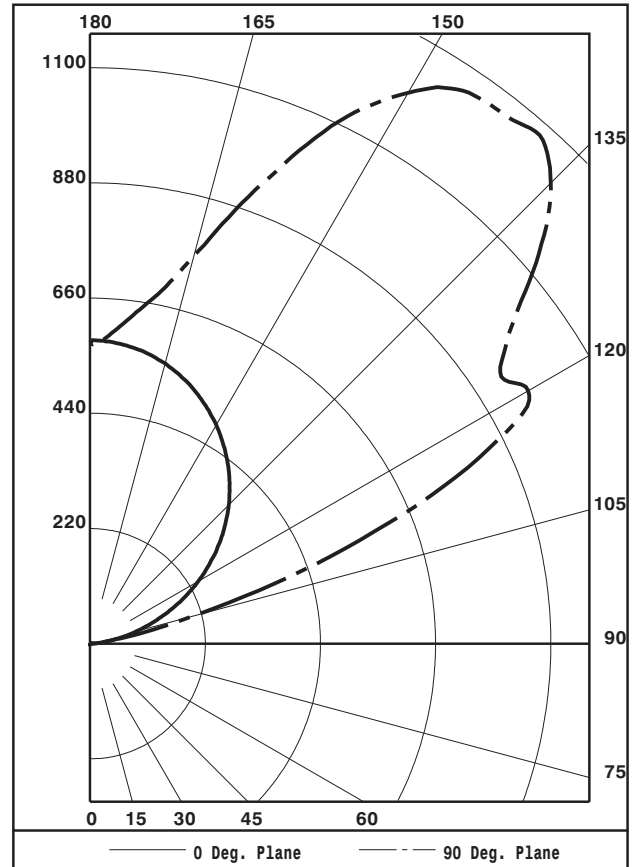
TOTAL INPUT WATTS = 63.7 AT 120.0 VOLTS

THE 0 DEGREE PLANE IS PARALLEL WITH THE LAMPS.

#08439



CANDELA DISTRIBUTION						FLUX
	0.0	22.5	45.0	67.5	90.0	
0	0	0	0	0	0	0
5	0	0	0	0	0	0
15	0	0	0	0	0	0
25	0	0	0	0	0	0
35	0	0	0	0	0	0
45	0	0	0	0	0	0
55	0	0	0	0	0	0
65	0	0	0	0	0	0
75	0	0	0	0	0	0
85	0	0	0	0	0	0
90	0	0	0	0	0	0
95	19	39	19	24	25	36
105	93	343	364	237	202	302
115	190	590	693	818	796	639
125	286	701	958	953	965	727
135	375	688	1082	1227	1244	731
145	450	641	1016	1229	1279	587
155	510	609	823	1018	1091	377
165	554	596	667	735	767	191
175	576	578	592	600	604	57
180	575	575	575	575	575	



ZONAL LUMEN SUMMARY	ZONE	LUMENS	%LAMP	%FIXT
0- 30		0	0.0	0.0
0- 40		0	0.0	0.0
0- 60		0	0.0	0.0
0- 90		0	0.0	0.0
90-120		978	22.2	26.8
90-130		1705	38.7	46.7
90-150		3022	68.7	82.9
90-180		3647	82.9	100.0
0-180		3647	82.9	100.0

TOTAL LUMINAIRE EFFICIENCY: 82.9%
CIE TYPE: INDIRECT

TESTED BY HERSCHEL SCHRECK
CHECKED BY MIKE GRATHER



LUMINAIRE TESTING LABORATORY, INC.



905 Harrison Street · Allentown, PA 18103 · (610) 770-1044 · Fax (610) 770-8912 · www.LuminaireTesting.com

LTL NUMBER: 08439

DATE: 10-08-2004

PREPARED FOR: PRECISION ARCHITECTURAL LIGHTING

CANDELA DISTRIBUTION

ZONAL LUMEN SUMMARY

	0.0	22.5	45.0	67.5	90.0		
0	0	0	0	0	0	0- 5	0.
5	0	0	0	0	0	5- 10	0.
10	0	0	0	0	0	10- 15	0.
15	0	0	0	0	0	15- 20	0.
20	0	0	0	0	0	20- 25	0.
25	0	0	0	0	0	25- 30	0.
30	0	0	0	0	0	30- 35	0.
35	0	0	0	0	0	35- 40	0.
40	0	0	0	0	0	40- 45	0.
45	0	0	0	0	0	45- 50	0.
50	0	0	0	0	0	50- 55	0.
55	0	0	0	0	0	55- 60	0.
60	0	0	0	0	0	60- 65	0.
65	0	0	0	0	0	65- 70	0.
70	0	0	0	0	0	70- 75	0.
75	0	0	0	0	0	75- 80	0.
80	0	0	0	0	0	80- 85	0.
85	0	0	0	0	0	85- 90	0.
90	0	0	0	0	0	90- 95	5.
95	19	39	19	24	25	95-100	31.
100	51	228	110	73	61	100-105	102.
105	93	343	364	237	202	105-110	200.
110	140	489	634	539	492	110-115	296.
115	190	590	693	818	796	115-120	343.
120	239	658	810	884	966	120-125	355.
125	286	701	958	953	965	125-130	372.
130	332	707	1046	1115	1104	130-135	375.
135	375	688	1082	1227	1244	135-140	356.
140	414	666	1077	1237	1292	140-145	317.
145	450	641	1016	1229	1279	145-150	270.
150	482	619	924	1146	1215	150-155	215.
155	510	609	823	1018	1091	155-160	162.
160	535	603	732	866	922	160-165	115.
165	554	596	667	735	767	165-170	76.
170	568	586	627	654	666	170-175	43.
175	576	578	592	600	604	175-180	14.
180	575	575	575	575	575		



LUMINAIRE TESTING LABORATORY, INC.



905 Harrison Street · Allentown, PA 18103 · (610) 770-1044 · Fax (610) 770-8912 · www.LuminaireTesting.com

LTL NUMBER: 08439

DATE: 10-08-2004

PREPARED FOR: PRECISION ARCHITECTURAL LIGHTING

COEFFICIENTS OF UTILIZATION - ZONAL CAVITY METHOD

EFFECTIVE FLOOR CAVITY REFLECTANCE 0.20

RC	80				70				50			30			10			0
	RW	70	50	30	10	70	50	30	10	50	30	10	50	30	10	50	30	
0	79	79	79	79	67	67	67	67	46	46	46	26	26	26	8	8	8	0
1	72	68	65	63	61	59	56	54	40	39	37	23	22	22	7	7	7	0
2	65	60	55	51	56	51	47	44	35	33	31	20	19	18	6	6	6	0
3	59	52	47	42	51	45	40	37	31	28	26	18	16	15	6	5	5	0
4	54	46	40	36	46	40	35	31	27	24	22	16	14	13	5	5	4	0
5	50	41	35	30	42	35	30	26	24	21	19	14	12	11	5	4	4	0
6	45	36	30	26	39	31	26	22	22	18	16	12	11	9	4	4	3	0
7	42	33	26	22	36	28	23	19	19	16	14	11	9	8	4	3	3	0
8	39	29	23	19	33	25	20	17	17	14	12	10	8	7	3	3	2	0
9	36	26	21	17	30	23	18	15	16	13	11	9	8	6	3	2	2	0
10	33	24	19	15	28	21	16	13	14	11	9	8	7	6	3	2	2	0

THIS TEST WAS CONDUCTED USING RELATIVE PHOTOMETRY TECHNIQUES ACCORDING TO STANDARD IESNA PROCEDURES. THE USER MUST THEREFORE USE CAUTION IN THE FOLLOWING SITUATIONS: 1) THIS TEST WAS PERFORMED USING A SPECIFIC BALLAST/LAMP COMBINATION. EXTRAPOLATION OF THESE DATA FOR OTHER BALLAST/LAMP COMBINATIONS MAY PRODUCE ERRONEOUS RESULTS. 2) ACCORDING TO IESNA PROCEDURES, THE BALLAST(S) AND LAMP(S) ARE PRESUMED TO PRODUCE 100% OF RATED OUTPUT. AN APPROPRIATE BALLAST FACTOR MUST BE APPLIED TO THE LUMEN OUTPUT RATINGS AND LUMINOUS INTENSITY VALUES GIVEN. 3) THIS TEST WAS CONDUCTED IN A CONTROLLED LABORATORY ENVIRONMENT WHERE THE AMBIENT TEMPERATURE WAS HELD AT 25 C ± 1 C. FIELD PERFORMANCE MAY DIFFER PARTICULARLY IN REGARDS TO CHANGE IN LUMINOUS OUTPUT AS A RESULT OF DIFFERENCE IN AMBIENT TEMPERATURE AND METHOD OF MOUNTING THE LUMINAIRE.



LUMINAIRE TESTING LABORATORY, INC.



905 Harrison Street · Allentown, PA 18103 · (610) 770-1044 · Fax (610) 770-8912 · www.LuminaireTesting.com

INITIAL ILLUMINATION OF 50 FOOTCANDLES USING LTL TEST NUMBER 08439
LUMINAIRE SUSPENSION LENGTH = 1.5
WORKING PLANE HEIGHT = 2.50
FLOOR REFLECTANCE = 20

Table with columns for ROOM HT, CEIL RF, WALL RF, and a grid of values for different room dimensions (WIDTH and LENGTH) under various room heights (8, 9, 10, 12).

QUANTITY OF LUMINAIRES