



LUMINAIRE TESTING LABORATORY, INC.

SUSTAINING
MEMBER
of the
IESNA

905 Harrison Street · Allentown, PA 18103 · 610-770-1044 · Fax 610-770-8912 · www.LuminaireTesting.com

LTL NUMBER: 09768

DATE: 04-12-2006

PREPARED FOR: PRECISION ARCHITECTURAL LIGHTING

CATALOG NUMBER: ACC01-4-X-NDUV-X-T5HO

LUMINAIRE: EXTRUDED ALUMINUM HOUSING, FORMED SEMI-SPECULAR ALUMINUM REFLECTOR, CLEAR LINEAR PRISMATIC POLYCARBONATE LENS.

LAMP: ONE 54 WATT HIGH OUTPUT T5 LINEAR FLUORESCENT LAMP RATED AT 4400 LUMENS.

LAMP CATALOG NUMBER: SYLVANIA FP54/841/HO

BALLAST: ONE UNIVERSAL LIGHTING TECHNOLOGIES B254PUNV-D

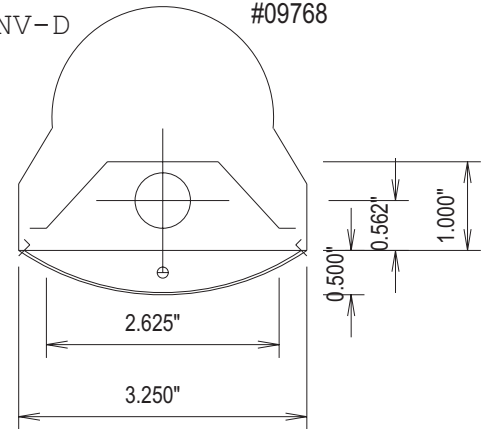
MOUNTING: PENDANT

LUMEN TO CANDELA RATIO USED = 9.18

TOTAL INPUT WATTS = 49.9 AT 120.0 VOLTS

THE 0 DEGREE PLANE IS PARALLEL WITH THE LAMPS.

#09768



CANDELA DISTRIBUTION						FLUX
	0.0	22.5	45.0	67.5	90.0	
0	1076	1076	1076	1076	1076	
5	1073	1070	1078	1071	1072	102
15	1039	1033	1031	1047	1061	295
25	973	959	992	955	952	447
35	877	875	833	808	779	520
45	749	680	589	514	490	463
55	586	437	335	266	253	328
65	314	202	164	167	175	195
75	73	94	101	121	133	112
85	8	29	56	83	97	61
90	1	15	39	65	77	
95	0	7	26	47	56	30
105	0	3	8	16	21	11
115	0	1	5	8	9	4
125	0	0	1	3	4	2
135	0	0	0	0	1	0
145	0	0	0	0	0	0
155	0	0	0	0	0	0
165	0	0	0	0	0	0
175	0	0	0	0	0	0
180	0	0	0	0	0	0

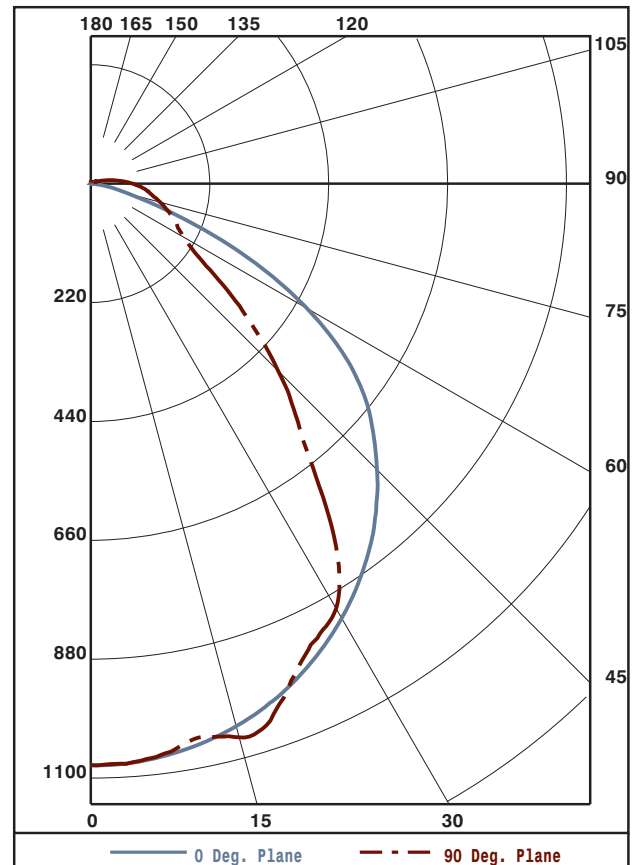
ZONAL LUMEN SUMMARY			
ZONE	LUMENS	%LAMP	%FIXT
0- 30	844	19.2	32.8
0- 40	1363	31.0	53.1
0- 60	2155	49.0	83.9
0- 90	2522	57.3	98.2
90-120	45	1.0	1.8
90-130	47	1.1	1.8
90-150	47	1.1	1.8
90-180	47	1.1	1.8
0-180	2569	58.4	100.0

TOTAL LUMINAIRE EFFICIENCY: 58.4%

CIE TYPE: DIRECT

PLANE: 0-DEG 90-DEG

SPACING CRITERIA: 1.3 1.2



TESTED BY HERSCHEL SCHRECK
CHECKED BY MIKE GRATHER

THIS REPORT BASED ON LM-41 AND OTHER PERTINENT IESNA PROCEDURES.



LUMINAIRE TESTING LABORATORY, INC.

SUSTAINING MEMBER of the IESNA

905 Harrison Street · Allentown, PA 18103 · 610-770-1044 · Fax 610-770-8912 · www.LuminaireTesting.com

LTL NUMBER: 09768

DATE: 04-12-2006

PREPARED FOR: PRECISION ARCHITECTURAL LIGHTING

COEFFICIENTS OF UTILIZATION - ZONAL CAVITY METHOD
EFFECTIVE FLOOR CAVITY REFLECTANCE 0.20

Table with columns RC, RW, and rows for cavity heights 0-10 and reflectance values 80, 70, 50, 30, 10, 0.

PLANE: 0-DEG 90-DEG
LUMINOUS LENGTH: 48.000 3.250
HEIGHT OF SIDE: 0.000 0.500

Table with columns ANGLE IN DEG, AVERAGE 0-DEG, AVERAGE 45-DEG, AVERAGE 90-DEG and rows for angles 0, 45, 55, 65, 75, 85.



LUMINAIRE TESTING LABORATORY, INC.

SUSTAINING MEMBER of the IESNA

905 Harrison Street · Allentown, PA 18103 · 610-770-1044 · Fax 610-770-8912 · www.LuminaireTesting.com

LTL NUMBER: 09768

DATE: 04-12-2006

PREPARED FOR: PRECISION ARCHITECTURAL LIGHTING

CANDELA DISTRIBUTION

Table with 6 columns of candela values for beam angles from 0.0 to 180 degrees.

ZONAL LUMEN SUMMARY

Table with 2 columns: beam angle ranges and corresponding lumen values.

THIS TEST WAS CONDUCTED USING RELATIVE PHOTOMETRY TECHNIQUES ACCORDING TO STANDARD IESNA PROCEDURES. THE USER MUST THEREFORE USE CAUTION IN THE FOLLOWING SITUATIONS: 1) THIS TEST WAS PERFORMED USING A SPECIFIC BALLAST/LAMP COMBINATION. EXTRAPOLATION OF THESE DATA FOR OTHER BALLAST/LAMP COMBINATIONS MAY PRODUCE ERRONEOUS RESULTS. 2) ACCORDING TO IESNA PROCEDURES, THE BALLAST(S) AND LAMP(S) ARE PRESUMED TO PRODUCE 100% OF RATED OUTPUT. AN APPROPRIATE BALLAST FACTOR MUST BE APPLIED TO THE LUMEN OUTPUT RATINGS AND LUMINOUS INTENSITY VALUES GIVEN. 3) THIS TEST WAS CONDUCTED IN A CONTROLLED LABORATORY ENVIRONMENT WHERE THE AMBIENT TEMPERATURE WAS HELD AT 25°C ±1°C. FIELD PERFORMANCE MAY DIFFER PARTICULARLY IN REGARDS TO CHANGE IN LUMINOUS OUTPUT AS A RESULT OF DIFFERENCE IN AMBIENT TEMPERATURE AND METHOD OF MOUNTING THE LUMINAIRE.