



LUMINAIRE TESTING LABORATORY, INC.

SUSTAINING
MEMBER
of the
IESNA

905 Harrison Street · Allentown, PA 18103 · 610-770-1044 · Fax 610-770-8912 · www.LuminaireTesting.com

LTL NUMBER: 09769

DATE: 04-12-2006

PREPARED FOR: PRECISION ARCHITECTURAL LIGHTING

CATALOG NUMBER: ACC01-4-X-NDLP-X-T8

LUMINAIRE: EXTRUDED ALUMINUM HOUSING, FORMED SEMI-SPECULAR ALUMINUM REFLECTOR, CLEAR LINEAR PRISMATIC POLYCARBONATE LENS.

LAMP: ONE 32 WATT T8 LINEAR FLUORESCENT LAMP RATED AT 2850 LUMENS.

LAMP CATALOG NUMBER: SYLVANIA FO32/841/ECO

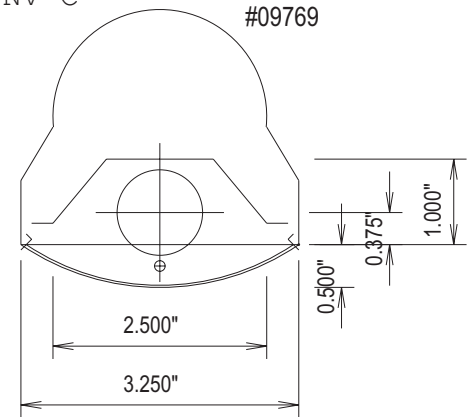
BALLAST: ONE UNIVERSAL LIGHTING TECHNOLOGIES B232IUNV-C

MOUNTING: PENDANT

LUMEN TO CANDELA RATIO USED = 9.18

TOTAL INPUT WATTS = 31.1 AT 120.0 VOLTS

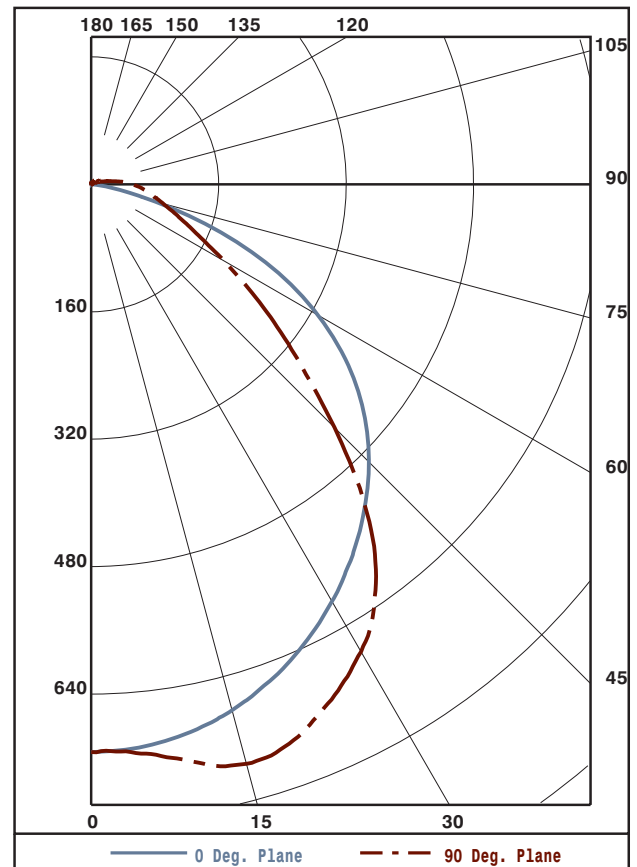
THE 0 DEGREE PLANE IS PARALLEL WITH THE LAMPS.



CANDELA DISTRIBUTION						FLUX
0.0	22.5	45.0	67.5	90.0		
0	713	713	713	713	713	
5	710	709	715	715	718	68
15	684	693	726	746	753	204
25	635	666	712	713	714	319
35	571	615	639	630	622	387
45	493	525	514	456	432	377
55	393	390	312	262	258	288
65	254	190	137	141	146	168
75	81	64	70	87	94	83
85	7	18	39	56	65	42
90	0	9	27	45	52	
95	0	5	17	32	38	20
105	0	3	7	11	14	8
115	0	2	4	7	9	4
125	0	2	2	3	3	2
135	0	0	0	1	1	0
145	0	0	0	0	0	0
155	0	0	0	0	0	0
165	0	0	0	0	0	0
175	0	0	0	0	0	0
180	0	0	0	0	0	0

ZONAL ZONE	LUMEN SUMMARY LUMENS	%LAMP	%FIXT
0- 30	591	20.7	30.0
0- 40	978	34.3	49.7
0- 60	1643	57.7	83.4
0- 90	1936	67.9	98.3
90-120	31	1.1	1.6
90-130	33	1.2	1.7
90-150	34	1.2	1.7
90-180	34	1.2	1.7
0-180	1969	69.1	100.0

TOTAL LUMINAIRE EFFICIENCY: 69.1%
 CIE TYPE: DIRECT
 PLANE: 0-DEG 90-DEG
 SPACING CRITERIA: 1.3 1.4



TESTED BY HERSCHEL SCHRECK
 CHECKED BY MIKE GRATHER



LTL NUMBER: 09769

DATE: 04-12-2006

PREPARED FOR: PRECISION ARCHITECTURAL LIGHTING

COEFFICIENTS OF UTILIZATION - ZONAL CAVITY METHOD
EFFECTIVE FLOOR CAVITY REFLECTANCE 0.20

Table with columns for RC, RW, and rows for angles 80, 70, 50, 30, 10, 0. Each cell contains a numerical value representing the coefficient of utilization.

PLANE: 0-DEG 90-DEG
LUMINOUS LENGTH: 48.000 3.250
HEIGHT OF SIDE: 0.000 0.500

LUMINANCE IN CANDELA PER SQUARE METER

Table with columns for ANGLE IN DEG, AVERAGE 0-DEG, AVERAGE 45-DEG, AVERAGE 90-DEG. Rows show values for angles 0, 45, 55, 65, 75, 85.



LUMINAIRE TESTING LABORATORY, INC.

SUSTAINING MEMBER of the IESNA

905 Harrison Street · Allentown, PA 18103 · 610-770-1044 · Fax 610-770-8912 · www.LuminaireTesting.com

LTL NUMBER: 09769

DATE: 04-12-2006

PREPARED FOR: PRECISION ARCHITECTURAL LIGHTING

CANDELA DISTRIBUTION

Table with 6 columns of candela values for angles 0.0, 22.5, 45.0, 67.5, 90.0. Values range from 713 down to 0.

ZONAL LUMEN SUMMARY

Table with 2 columns: Zonal range and Lumen value. Ranges from 0-5 to 175-180, with values from 17 down to 0.

THIS TEST WAS CONDUCTED USING RELATIVE PHOTOMETRY TECHNIQUES ACCORDING TO STANDARD IESNA PROCEDURES. THE USER MUST THEREFORE USE CAUTION IN THE FOLLOWING SITUATIONS: 1) THIS TEST WAS PERFORMED USING A SPECIFIC BALLAST/LAMP COMBINATION. EXTRAPOLATION OF THESE DATA FOR OTHER BALLAST/LAMP COMBINATIONS MAY PRODUCE ERRONEOUS RESULTS. 2) ACCORDING TO IESNA PROCEDURES, THE BALLAST(S) AND LAMP(S) ARE PRESUMED TO PRODUCE 100% OF RATED OUTPUT. AN APPROPRIATE BALLAST FACTOR MUST BE APPLIED TO THE LUMEN OUTPUT RATINGS AND LUMINOUS INTENSITY VALUES GIVEN. 3) THIS TEST WAS CONDUCTED IN A CONTROLLED LABORATORY ENVIRONMENT WHERE THE AMBIENT TEMPERATURE WAS HELD AT 25°C ±1°C. FIELD PERFORMANCE MAY DIFFER PARTICULARLY IN REGARDS TO CHANGE IN LUMINOUS OUTPUT AS A RESULT OF DIFFERENCE IN AMBIENT TEMPERATURE AND METHOD OF MOUNTING THE LUMINAIRE.