



LTL NUMBER: 08415

DATE: 09-17-2004

PREPARED FOR: PRECISION ARCHITECTURAL LIGHTING

CATALOG NUMBER: ACC01-4-X-NB-X-120-T5HO-SP

LUMINAIRE: EXTRUDED ALUMINUM HOUSING, FORMED SPECULAR ALUMINUM REFLECTOR, CLEAR POLYCARBONATE LINEAR PRISMATIC LENS.

LAMP: ONE 54 WATT HIGH OUTPUT T5 LINEAR FLUORESCENT LAMP RATED AT 4400 LUMENS.

LAMP CATALOG NUMBER: SYLVANIA FP54/841/HO

BALLAST: ONE UNIVERSAL LIGHTING TECHNOLOGIES B254PUNV-D

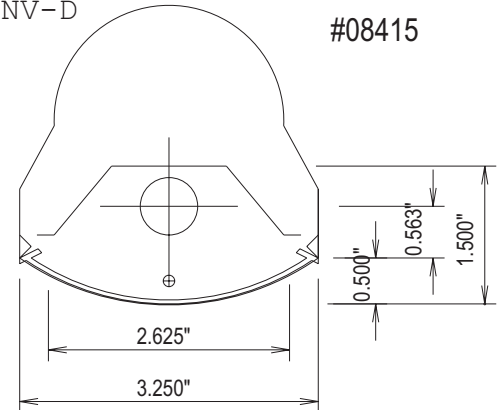
MOUNTING: PENDANT

LUMEN TO CANDELA RATIO USED = 9.18

TOTAL INPUT WATTS = 56.2 AT 120.0 VOLTS

THE 0 DEGREE PLANE IS PARALLEL WITH THE LAMPS.

#08415



CANDELA DISTRIBUTION

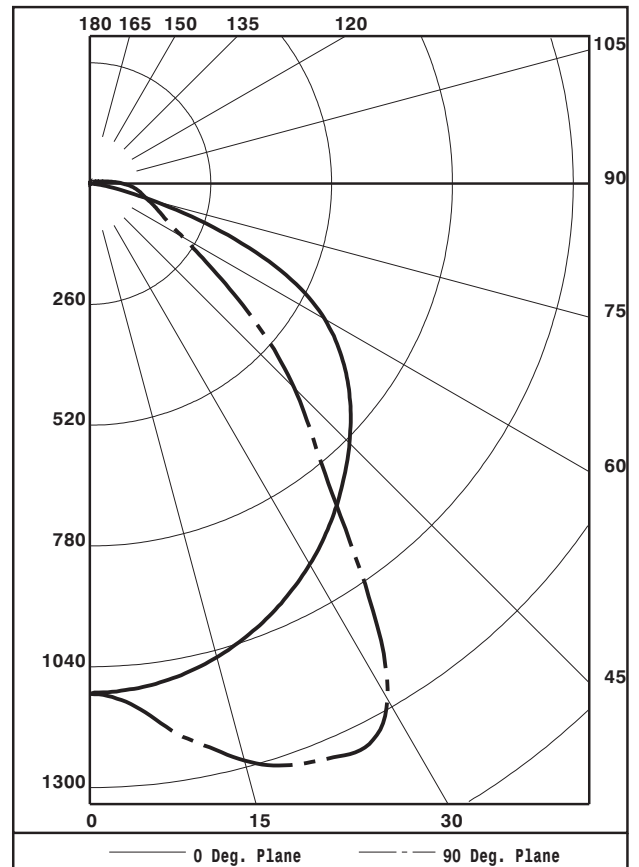
	0.0	22.5	45.0	67.5	90.0	FLUX
0	1098	1098	1098	1098	1098	107
5	1091	1100	1118	1123	1130	337
15	1055	1110	1208	1262	1285	562
25	988	1115	1262	1323	1351	676
35	898	1076	1224	1097	1012	597
45	790	950	798	639	622	421
55	664	657	391	335	324	233
65	465	257	172	175	179	117
75	135	86	98	119	126	59
85	11	26	54	82	93	25
90	0	12	36	61	70	9
95	0	6	21	39	46	5
105	0	3	9	14	16	2
115	0	1	5	9	10	1
125	0	1	3	4	6	0
135	0	0	1	1	3	0
145	0	0	0	0	0	0
155	0	0	0	0	0	0
165	0	0	0	0	0	0
175	0	0	0	0	0	0
180	0	0	0	0	0	0

ZONAL LUMEN SUMMARY

ZONE	LUMENS	%LAMP	%FIXT
0- 30	1006	22.9	31.9
0- 40	1682	38.2	53.4
0- 60	2700	61.4	85.7
0- 90	3109	70.7	98.7
90-120	39	0.9	1.3
90-130	42	0.9	1.3
90-150	43	1.0	1.3
90-180	43	1.0	1.3
0-180	3152	71.6	100.0

TOTAL LUMINAIRE EFFICIENCY: 71.6%

CIE TYPE: DIRECT  
PLANE: 0-DEG 90-DEG  
SPACING CRITERIA: 1.3 1.4



TESTED BY HERSCHEL SCHRECK  
CHECKED BY MIKE GRATHER



LUMINAIRE TESTING LABORATORY, INC.



905 Harrison Street · Allentown, PA 18103 · (610) 770-1044 · Fax (610) 770-8912 · www.LuminaireTesting.com

LTL NUMBER: 08415

DATE: 09-17-2004

PREPARED FOR: PRECISION ARCHITECTURAL LIGHTING

COEFFICIENTS OF UTILIZATION - ZONAL CAVITY METHOD  
EFFECTIVE FLOOR CAVITY REFLECTANCE 0.20

RC	80				70				50			30			10			0	
	RW	70	50	30	10	70	50	30	10	50	30	10	50	30	10	50	30	10	0
0	85	85	85	85	83	83	83	83	79	79	79	75	75	75	72	72	72	71	
1	79	76	73	71	77	74	72	70	71	69	67	68	67	65	66	64	63	62	
2	73	68	64	60	71	67	63	60	64	61	58	62	59	57	59	57	55	54	
3	68	61	56	52	66	60	55	52	58	54	51	56	52	50	54	51	49	47	
4	62	55	49	45	61	54	49	45	52	48	44	50	47	43	49	45	43	41	
5	57	49	43	39	56	48	43	39	47	42	38	45	41	38	44	40	37	36	
6	53	44	38	34	52	44	38	34	42	37	34	41	37	33	40	36	33	32	
7	49	40	34	30	48	39	34	30	38	33	30	37	33	29	36	32	29	28	
8	45	36	30	26	44	35	30	26	34	29	26	33	29	26	33	28	25	24	
9	42	32	26	23	41	32	26	23	31	26	22	30	25	22	29	25	22	21	
10	39	29	24	20	38	29	24	20	28	23	20	27	23	20	27	23	20	18	

PLANE: 0-DEG 90-DEG  
LUMINOUS LENGTH: 46.000 3.250  
HEIGHT OF SIDE: 0.000 0.500

LUMINANCE IN CANDELA PER SQUARE METER

ANGLE IN DEG	AVERAGE 0-DEG	AVERAGE 45-DEG	AVERAGE 90-DEG
0	11383.	11383.	11383.
45	11582.	19222.	9119.
55	12001.	10785.	5856.
65	11407.	5754.	4391.
75	5407.	4333.	4698.
85	1308.	3684.	4898.



LTL NUMBER: 08415

DATE: 09-17-2004

PREPARED FOR: PRECISION ARCHITECTURAL LIGHTING

CANDELA DISTRIBUTION

ZONAL LUMEN SUMMARY

Table with 6 columns: Candela values (0.0, 22.5, 45.0, 67.5, 90.0) and Zonal Lumen Summary (0-5, 5-10, 10-15, etc.).

THIS TEST WAS CONDUCTED USING RELATIVE PHOTOMETRY TECHNIQUES ACCORDING TO STANDARD IESNA PROCEDURES. THE USER MUST THEREFORE USE CAUTION IN THE FOLLOWING SITUATIONS: 1) THIS TEST WAS PERFORMED USING A SPECIFIC BALLAST/LAMP COMBINATION. EXTRAPOLATION OF THESE DATA FOR OTHER BALLAST/LAMP COMBINATIONS MAY PRODUCE ERRONEOUS RESULTS. 2) ACCORDING TO IESNA PROCEDURES, THE BALLAST(S) AND LAMP(S) ARE PRESUMED TO PRODUCE 100% OF RATED OUTPUT. AN APPROPRIATE BALLAST FACTOR MUST BE APPLIED TO THE LUMEN OUTPUT RATINGS AND LUMINOUS INTENSITY VALUES GIVEN. 3) THIS TEST WAS CONDUCTED IN A CONTROLLED LABORATORY ENVIRONMENT WHERE THE AMBIENT TEMPERATURE WAS HELD AT 25 C ± 1 C. FIELD PERFORMANCE MAY DIFFER PARTICULARLY IN REGARDS TO CHANGE IN LUMINOUS OUTPUT AS A RESULT OF DIFFERENCE IN AMBIENT TEMPERATURE AND METHOD OF MOUNTING THE LUMINAIRE.



LUMINAIRE TESTING LABORATORY, INC.



905 Harrison Street · Allentown, PA 18103 · (610) 770-1044 · Fax (610) 770-8912 · www.LuminaireTesting.com

INITIAL ILLUMINATION OF 50 FOOTCANDLES USING LTL TEST NUMBER 08415  
 LUMINAIRE SUSPENSION LENGTH = 1.5  
 WORKING PLANE HEIGHT = 2.50  
 FLOOR REFLECTANCE = 20

ROOM HT	CEIL RF	8				9				10				12			
		80	70	50	30	80	70	50	30	80	70	50	30	80	70	50	30
WALL RF		70	50	50	30	70	50	50	30	70	50	50	30	70	50	50	30
WIDTH	LENGTH																
10.	10.	2	3	3	3	2	3	3	3	3	3	3	3	3	4	4	4
10.	15.	3	3	3	4	3	4	4	4	3	4	4	4	4	5	5	5
15.	20.	5	6	6	6	6	6	6	7	6	6	6	7	6	7	7	8
15.	30.	8	8	8	9	8	8	9	9	8	9	9	10	9	10	10	11
20.	20.	7	7	7	8	7	8	8	8	7	8	8	9	8	9	9	10
20.	30.	10	10	10	11	10	11	11	11	10	11	11	12	11	12	12	13
20.	40.	12	13	13	14	13	14	14	15	13	14	15	15	14	15	16	17
20.	60.	18	19	20	20	19	20	20	21	19	21	21	22	20	22	22	24
30.	30.	14	14	15	15	14	15	15	16	15	16	16	17	15	17	17	18
30.	40.	18	19	19	20	18	19	20	21	19	20	20	21	20	21	22	23
30.	50.	22	23	24	24	23	24	24	25	23	24	25	26	24	26	26	28
30.	60.	26	27	28	29	27	28	29	30	27	29	30	31	29	31	31	33
60.	60.	51	52	54	55	52	53	55	56	52	54	56	57	54	56	58	60
60.	80.	67	69	71	72	68	70	72	73	69	71	73	75	71	74	75	78
60.	100.	84	86	88	89	85	87	89	91	86	88	90	92	87	91	93	96
100.	100.	138	140	143	145	139	142	145	147	140	143	147	149	142	147	150	154

QUANTITY OF LUMINAIRES