



LTL NUMBER: 08324

DATE: 08-26-2004

PREPARED FOR: PRECISION ARCHITECTURAL LIGHTING

CATALOG NUMBER: ACC01-4-X-OP-X-120-T5HO

LUMINAIRE: EXTRUDED ALUMINUM HOUSING, FORMED WHITE ENAMEL ALUMINUM REFLECTOR, OPEN TOP.

LAMP: ONE 54 WATT HIGH OUTPUT T5 LINEAR FLUORESCENT LAMP RATED AT 4400 LUMENS.

LAMP CATALOG NUMBER: SYLVANIA FP54/841/HO

BALLAST: ONE UNIVERSAL LIGHTING TECHNOLOGIES B254PUNV-D

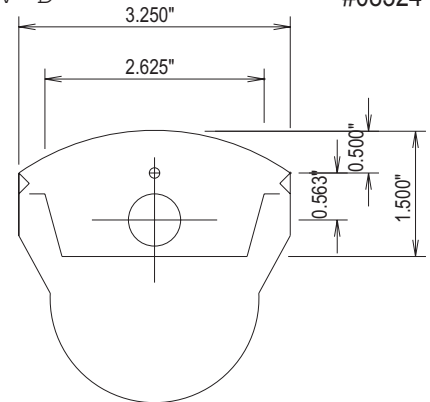
MOUNTING: PENDANT

LUMEN TO CANDELA RATIO USED = 9.18

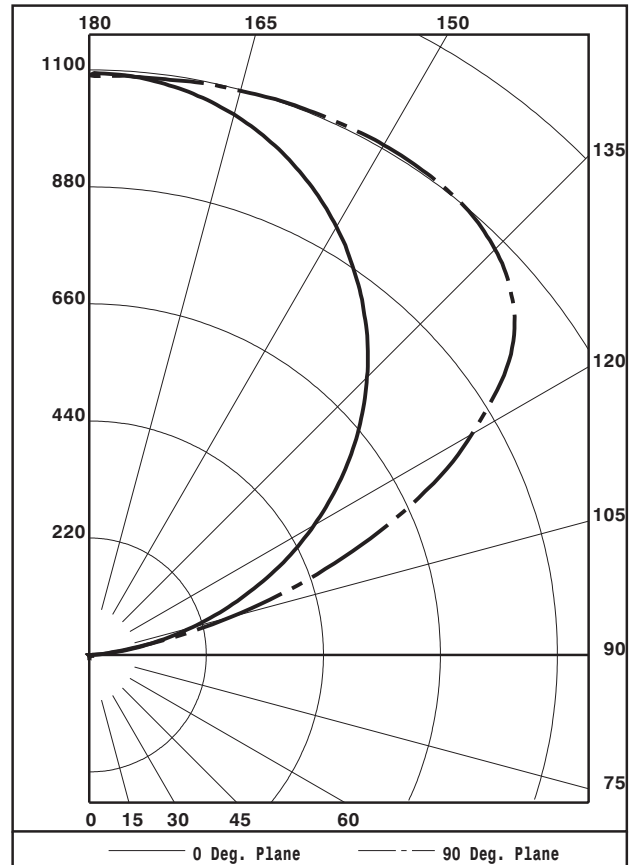
TOTAL INPUT WATTS = 62.1 AT 120.0 VOLTS

THE 0 DEGREE PLANE IS PARALLEL WITH THE LAMPS.

#08324



CANDELA DISTRIBUTION						FLUX
	0.0	22.5	45.0	67.5	90.0	
0	0	0	0	0	0	0
5	0	0	0	0	0	0
15	0	0	0	0	0	0
25	0	0	0	0	0	0
35	0	0	0	0	0	0
45	0	0	0	0	0	0
55	0	0	0	0	0	0
65	0	0	0	0	0	0
75	0	0	0	0	0	0
85	0	0	0	0	0	0
90	0	0	0	0	0	0
95	37	59	34	31	31	52
105	200	373	343	293	276	329
115	394	576	681	677	668	606
125	578	697	865	943	963	730
135	738	813	948	1044	1079	717
145	872	914	1005	1076	1106	625
155	978	999	1048	1088	1105	483
165	1052	1056	1079	1091	1098	304
175	1090	1086	1091	1090	1091	104
180	1090	1090	1090	1090	1090	104



ZONAL LUMEN SUMMARY			
ZONE	LUMENS	%LAMP	%FIXT
0- 30	0	0.0	0.0
0- 40	0	0.0	0.0
0- 60	0	0.0	0.0
0- 90	0	0.0	0.0
90-120	987	22.4	25.0
90-130	1717	39.0	43.5
90-150	3060	69.5	77.5
90-180	3951	89.8	100.0
0-180	3951	89.8	100.0

TOTAL LUMINAIRE EFFICIENCY: 89.8%
CIE TYPE: INDIRECT

TESTED BY HERSCHEL SCHRECK
CHECKED BY MIKE GRATHER



LUMINAIRE TESTING LABORATORY, INC.



905 Harrison Street · Allentown, PA 18103 · (610) 770-1044 · Fax (610) 770-8912 · www.LuminaireTesting.com

LTL NUMBER: 08324

DATE: 08-26-2004

PREPARED FOR: PRECISION ARCHITECTURAL LIGHTING

COEFFICIENTS OF UTILIZATION - ZONAL CAVITY METHOD

EFFECTIVE FLOOR CAVITY REFLECTANCE 0.20

RC	80				70				50			30			10			0
	RW	70	50	30	10	70	50	30	10	50	30	10	50	30	10	50	30	
0	85	85	85	85	73	73	73	73	50	50	50	29	29	29	9	9	9	0
1	78	74	71	68	66	63	61	58	43	42	40	25	24	24	8	8	8	0
2	71	65	60	55	60	55	51	48	38	36	33	22	21	20	7	7	6	0
3	64	57	51	46	55	49	44	40	33	30	28	19	18	16	6	6	5	0
4	59	50	43	39	50	43	38	33	29	26	24	17	15	14	5	5	5	0
5	54	44	38	33	46	38	32	28	26	23	20	15	13	12	5	4	4	0
6	49	39	33	28	42	34	28	24	23	20	17	14	12	10	4	4	3	0
7	45	35	29	24	38	30	25	21	21	17	15	12	10	9	4	3	3	0
8	42	32	25	21	36	27	22	18	19	15	13	11	9	8	4	3	3	0
9	39	29	23	18	33	25	20	16	17	14	11	10	8	7	3	3	2	0
10	36	26	20	16	31	22	18	14	16	12	10	9	7	6	3	2	2	0

THIS TEST WAS CONDUCTED USING RELATIVE PHOTOMETRY TECHNIQUES ACCORDING TO STANDARD IESNA PROCEDURES. THE USER MUST THEREFORE USE CAUTION IN THE FOLLOWING SITUATIONS: 1) THIS TEST WAS PERFORMED USING A SPECIFIC BALLAST/LAMP COMBINATION. EXTRAPOLATION OF THESE DATA FOR OTHER BALLAST/LAMP COMBINATIONS MAY PRODUCE ERRONEOUS RESULTS. 2) ACCORDING TO IESNA PROCEDURES, THE BALLAST(S) AND LAMP(S) ARE PRESUMED TO PRODUCE 100% OF RATED OUTPUT. AN APPROPRIATE BALLAST FACTOR MUST BE APPLIED TO THE LUMEN OUTPUT RATINGS AND LUMINOUS INTENSITY VALUES GIVEN. 3) THIS TEST WAS CONDUCTED IN A CONTROLLED LABORATORY ENVIRONMENT WHERE THE AMBIENT TEMPERATURE WAS HELD AT 25 C ± 1 C. FIELD PERFORMANCE MAY DIFFER PARTICULARLY IN REGARDS TO CHANGE IN LUMINOUS OUTPUT AS A RESULT OF DIFFERENCE IN AMBIENT TEMPERATURE AND METHOD OF MOUNTING THE LUMINAIRE.



LUMINAIRE TESTING LABORATORY, INC.



905 Harrison Street · Allentown, PA 18103 · (610) 770-1044 · Fax (610) 770-8912 · www.LuminaireTesting.com

INITIAL ILLUMINATION OF 50 FOOTCANDLES USING LTL TEST NUMBER 08324
LUMINAIRE SUSPENSION LENGTH = 1.5
WORKING PLANE HEIGHT = 2.50
FLOOR REFLECTANCE = 20

Table with columns: ROOM HT, CEIL RF, WALL RF, WIDTH, LENGTH, and numerical values for room configurations 8, 9, 10, and 12.

QUANTITY OF LUMINAIRES