



LUMINAIRE TESTING LABORATORY, INC.

SUSTAINING
MEMBER
of the
IESNA

905 Harrison Street · Allentown, PA 18103 · 610-770-1044 · Fax 610-770-8912 · www.LuminaireTesting.com

LTL NUMBER: 09783

DATE: 04-12-2006

PREPARED FOR: PRECISION ARCHITECTURAL LIGHTING

CATALOG NUMBER: ACC01-4-X-GDLP-X-T8

LUMINAIRE: EXTRUDED ALUMINUM HOUSING, FORMED WHITE ENAMEL ALUMINUM REFLECTOR, CLEAR LINEAR PRISMATIC ACRYLIC LENS.

LAMP: ONE 32 WATT T8 LINEAR FLUORESCENT LAMP RATED AT 2850 LUMENS.

LAMP CATALOG NUMBER: SYLVANIA FO32/841/ECO

BALLAST: ONE UNIVERSAL LIGHTING TECHNOLOGIES B232IUNV-C

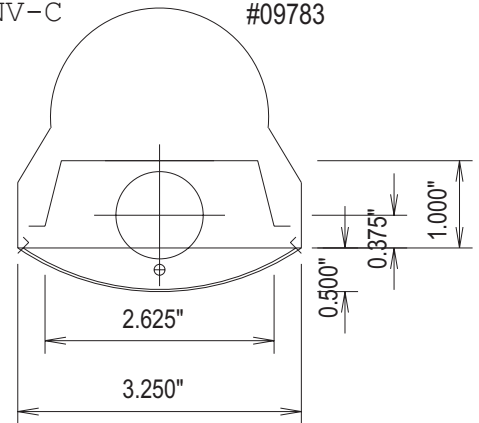
MOUNTING: PENDANT

LUMEN TO CANDELA RATIO USED = 9.18

TOTAL INPUT WATTS = 31.6 AT 120.0 VOLTS

THE 0 DEGREE PLANE IS PARALLEL WITH THE LAMPS.

#09783

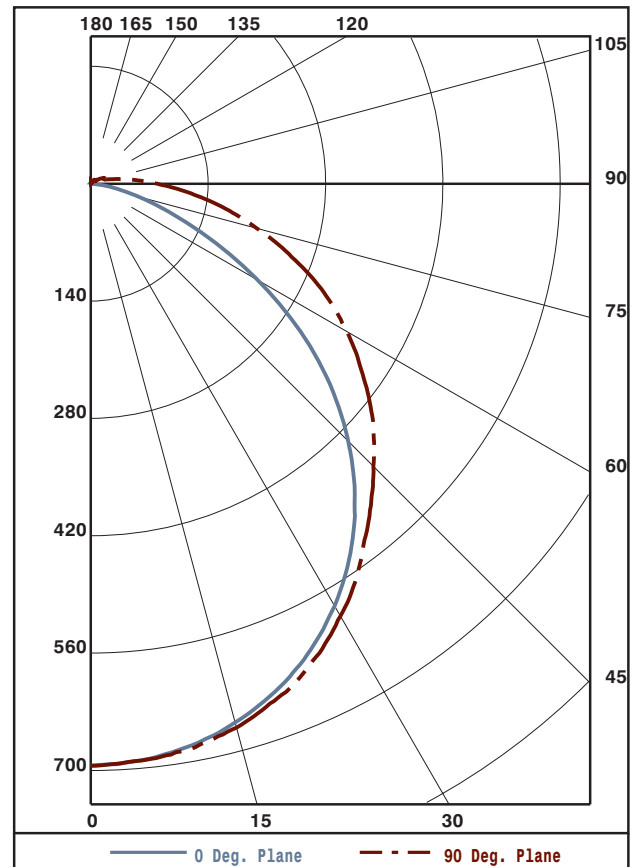


CANDELA DISTRIBUTION						FLUX
	0.0	22.5	45.0	67.5	90.0	
0	694	694	694	694	694	
5	690	690	694	690	691	66
15	666	666	672	670	672	189
25	616	616	624	626	627	287
35	539	539	549	554	558	343
45	434	432	448	467	477	348
55	304	311	349	384	396	312
65	160	199	256	295	307	243
75	58	104	165	196	205	158
85	8	35	83	108	116	80
90	0	16	51	72	79	
95	0	6	27	46	52	30
105	0	4	10	16	20	11
115	0	3	8	13	16	7
125	0	1	3	6	7	3
135	0	0	2	3	4	1
145	0	0	0	0	0	0
155	0	0	0	0	0	0
165	0	0	0	0	0	0
175	0	0	0	0	0	0
180	0	0	0	0	0	0

ZONAL LUMEN SUMMARY			
ZONE	LUMENS	%LAMP	%FIXT
0- 30	542	19.0	26.1
0- 40	884	31.0	42.5
0- 60	1544	54.2	74.3
0- 90	2025	71.1	97.5
90-120	48	1.7	2.3
90-130	51	1.8	2.5
90-150	53	1.9	2.5
90-180	53	1.9	2.5
0-180	2078	72.9	100.0

TOTAL LUMINAIRE EFFICIENCY: 72.9%

CIE TYPE: DIRECT
PLANE: 0-DEG 90-DEG
SPACING CRITERIA: 1.2 1.3



TESTED BY HERSCHEL SCHRECK
CHECKED BY MIKE GRATHER



LUMINAIRE TESTING LABORATORY, INC.

SUSTAINING MEMBER of the IESNA

905 Harrison Street · Allentown, PA 18103 · 610-770-1044 · Fax 610-770-8912 · www.LuminaireTesting.com

LTL NUMBER: 09783

DATE: 04-12-2006

PREPARED FOR: PRECISION ARCHITECTURAL LIGHTING

COEFFICIENTS OF UTILIZATION - ZONAL CAVITY METHOD
EFFECTIVE FLOOR CAVITY REFLECTANCE 0.20

Table with 19 columns (RC, RW, 80, 70, 50, 30, 10, 0) and 11 rows (0-10) showing utilization coefficients.

PLANE: 0-DEG 90-DEG
LUMINOUS LENGTH: 48.000 3.250
HEIGHT OF SIDE: 0.000 0.500

Table with 4 columns (ANGLE IN DEG, AVERAGE 0-DEG, AVERAGE 45-DEG, AVERAGE 90-DEG) and 6 rows (0, 45, 55, 65, 75, 85) showing luminance values.



LUMINAIRE TESTING LABORATORY, INC.

SUSTAINING MEMBER of the IESNA

905 Harrison Street · Allentown, PA 18103 · 610-770-1044 · Fax 610-770-8912 · www.LuminaireTesting.com

LTL NUMBER: 09783

DATE: 04-12-2006

PREPARED FOR: PRECISION ARCHITECTURAL LIGHTING

Table with columns: CANDELA, DISTRIBUTION (0.0, 22.5, 45.0, 67.5, 90.0), ZONAL LUMEN SUMMARY (0-5, 5-10, etc.).

THIS TEST WAS CONDUCTED USING RELATIVE PHOTOMETRY TECHNIQUES ACCORDING TO STANDARD IESNA PROCEDURES. THE USER MUST THEREFORE USE CAUTION IN THE FOLLOWING SITUATIONS: 1) THIS TEST WAS PERFORMED USING A SPECIFIC BALLAST/LAMP COMBINATION. EXTRAPOLATION OF THESE DATA FOR OTHER BALLAST/LAMP COMBINATIONS MAY PRODUCE ERRONEOUS RESULTS. 2) ACCORDING TO IESNA PROCEDURES, THE BALLAST(S) AND LAMP(S) ARE PRESUMED TO PRODUCE 100% OF RATED OUTPUT. AN APPROPRIATE BALLAST FACTOR MUST BE APPLIED TO THE LUMEN OUTPUT RATINGS AND LUMINOUS INTENSITY VALUES GIVEN. 3) THIS TEST WAS CONDUCTED IN A CONTROLLED LABORATORY ENVIRONMENT WHERE THE AMBIENT TEMPERATURE WAS HELD AT 25°C ±1°C. FIELD PERFORMANCE MAY DIFFER PARTICULARLY IN REGARDS TO CHANGE IN LUMINOUS OUTPUT AS A RESULT OF DIFFERENCE IN AMBIENT TEMPERATURE AND METHOD OF MOUNTING THE LUMINAIRE.