



LTL NUMBER: 08325

DATE: 08-26-2004

PREPARED FOR: PRECISION ARCHITECTURAL LIGHTING

CATALOG NUMBER: ACC01-4-X-LP-X-120-T5HO

LUMINAIRE: EXTRUDED ALUMINUM HOUSING, FORMED WHITE ENAMEL ALUMINUM REFLECTOR, CLEAR POLYCARBONATE LINEAR PRISMATIC LENS.

LAMP: ONE 54 WATT HIGH OUTPUT T5 LINEAR FLUORESCENT LAMP RATED AT 4400 LUMENS.

LAMP CATALOG NUMBER: SYLVANIA FP54/841/HO

BALLAST: ONE UNIVERSAL LIGHTING TECHNOLOGIES B254PUNV-D

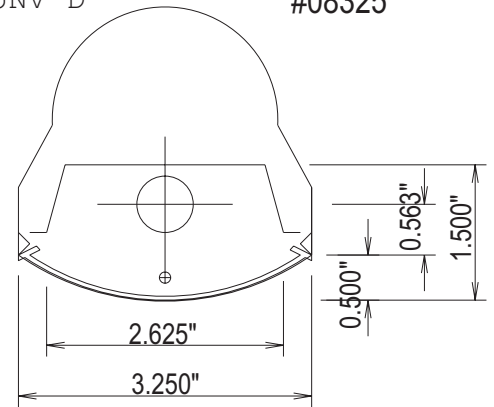
MOUNTING: PENDANT

LUMEN TO CANDELA RATIO USED = 9.18

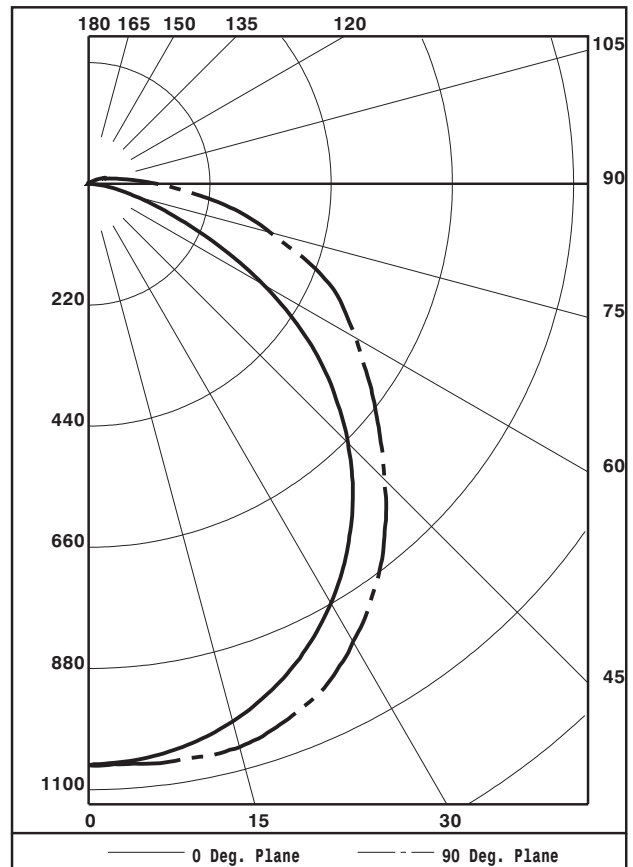
TOTAL INPUT WATTS = 54.9 AT 120.0 VOLTS

THE 0 DEGREE PLANE IS PARALLEL WITH THE LAMPS.

#08325



CANDELA DISTRIBUTION						FLUX
0.0	22.5	45.0	67.5	90.0		
0	1056	1056	1056	1056	1056	101
5	1049	1054	1060	1055	1057	293
15	1010	1023	1042	1052	1058	452
25	932	955	990	1003	1011	546
35	817	850	889	896	902	555
45	665	691	725	746	758	490
55	478	488	549	598	620	387
65	251	304	402	476	504	262
75	89	162	280	329	341	136
85	14	59	152	184	187	50
90	0	28	98	120	124	20
95	0	10	52	74	79	11
105	0	6	19	31	37	3
115	0	3	11	18	20	0
125	0	0	3	5	6	0
135	0	0	0	0	2	0
145	0	0	0	0	0	0
155	0	0	0	0	0	0
165	0	0	0	0	0	0
175	0	0	0	0	0	0
180	0	0	0	0	0	0



ZONAL LUMEN SUMMARY	ZONE	LUMENS	%LAMP	%FIXT
0- 30		846	19.2	25.6
0- 40		1392	31.6	42.1
0- 60		2437	55.4	73.7
0- 90		3222	73.2	97.5
90-120		81	1.8	2.4
90-130		84	1.9	2.5
90-150		84	1.9	2.5
90-180		84	1.9	2.5
0-180		3306	75.1	100.0

TOTAL LUMINAIRE EFFICIENCY: 75.1%
 CIE TYPE: DIRECT
 PLANE: 0-DEG 90-DEG
 SPACING CRITERIA: 1.2 1.3

TESTED BY HERSCHEL SCHRECK
 CHECKED BY MIKE GRATHER



LUMINAIRE TESTING LABORATORY, INC.



905 Harrison Street · Allentown, PA 18103 · (610) 770-1044 · Fax (610) 770-8912 · www.LuminaireTesting.com

LTL NUMBER: 08325

DATE: 08-26-2004

PREPARED FOR: PRECISION ARCHITECTURAL LIGHTING

COEFFICIENTS OF UTILIZATION - ZONAL CAVITY METHOD
EFFECTIVE FLOOR CAVITY REFLECTANCE 0.20

Table with columns RC, RW, and rows for cavity heights 0-10 and reflectance values 80, 70, 50, 30, 10, 0.

PLANE: 0-DEG 90-DEG
LUMINOUS LENGTH: 46.000 3.250
HEIGHT OF SIDE: 0.000 0.500

Table with columns ANGLE IN DEG and AVERAGE values for 0-DEG, 45-DEG, 90-DEG.



LTL NUMBER: 08325

DATE: 08-26-2004

PREPARED FOR: PRECISION ARCHITECTURAL LIGHTING

CANDELA DISTRIBUTION

ZONAL LUMEN SUMMARY

Table with 6 columns: Candela values at 0.0, 22.5, 45.0, 67.5, 90.0 degrees and Zonal Lumen Summary ranges from 0-5 to 175-180.

THIS TEST WAS CONDUCTED USING RELATIVE PHOTOMETRY TECHNIQUES ACCORDING TO STANDARD IESNA PROCEDURES. THE USER MUST THEREFORE USE CAUTION IN THE FOLLOWING SITUATIONS: 1) THIS TEST WAS PERFORMED USING A SPECIFIC BALLAST/LAMP COMBINATION. EXTRAPOLATION OF THESE DATA FOR OTHER BALLAST/LAMP COMBINATIONS MAY PRODUCE ERRONEOUS RESULTS. 2) ACCORDING TO IESNA PROCEDURES, THE BALLAST(S) AND LAMP(S) ARE PRESUMED TO PRODUCE 100% OF RATED OUTPUT. AN APPROPRIATE BALLAST FACTOR MUST BE APPLIED TO THE LUMEN OUTPUT RATINGS AND LUMINOUS INTENSITY VALUES GIVEN. 3) THIS TEST WAS CONDUCTED IN A CONTROLLED LABORATORY ENVIRONMENT WHERE THE AMBIENT TEMPERATURE WAS HELD AT 25 C ± 1 C. FIELD PERFORMANCE MAY DIFFER PARTICULARLY IN REGARDS TO CHANGE IN LUMINOUS OUTPUT AS A RESULT OF DIFFERENCE IN AMBIENT TEMPERATURE AND METHOD OF MOUNTING THE LUMINAIRE.



LUMINAIRE TESTING LABORATORY, INC.



905 Harrison Street · Allentown, PA 18103 · (610) 770-1044 · Fax (610) 770-8912 · www.LuminaireTesting.com

INITIAL ILLUMINATION OF 50 FOOTCANDLES USING LTL TEST NUMBER 08325
LUMINAIRE SUSPENSION LENGTH = 1.5
WORKING PLANE HEIGHT = 2.50
FLOOR REFLECTANCE = 20

Table with columns for ROOM HT, CEIL RF, WALL RF, WIDTH, and LENGTH. It provides a grid of footcandle values for various room dimensions and ceiling/wall reflectance levels.

QUANTITY OF LUMINAIRES