



LTL NUMBER: 07239

DATE: 02-20-2003

PREPARED FOR: PRECISION ARCHITECTURAL LIGHTING

CATALOG NUMBER: TRSO4-SP-4-X-PB-X-120-T8

LUMINAIRE: EXTRUDED ALUMINUM HOUSING, FORMED SPECULAR ALUMINUM REFLECTORS, 12 CELL, 1 1/2" DEEP, FORMED SEMI-SPECULAR ALUMINUM LOUVER BELOW LAMPS.

LAMPS: FOUR 32 WATT LINEAR FLUORESCENT T8 LAMPS RATED AT 2850 LUMENS EACH.

LAMP CATALOG NUMBER: PHILIPS F32T8/TL841

BALLAST: ONE UNIVERSAL LIGHTING TECHNOLOGIES B432I120RH-A

MOUNTING: PENDENT

LUMEN TO CANDELA RATIO USED = 9.18

TOTAL INPUT WATTS =102.1 AT 120.0 VOLTS

THE 0 DEGREE PLANE IS PARALLEL WITH THE LAMPS.

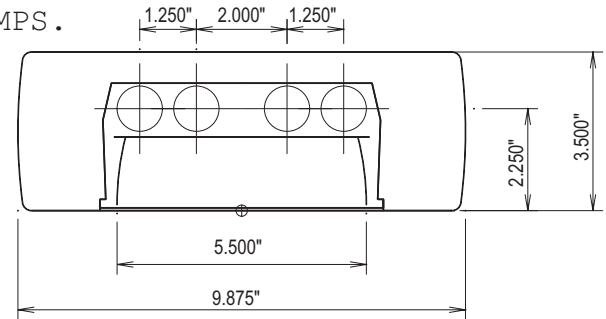
#07239

CANDELA DISTRIBUTION

	0.0	22.5	45.0	67.5	90.0
0	1907	1907	1907	1907	1907
5	1896	1929	1977	2000	2016
15	1812	1965	2067	2098	2108
25	1667	1880	1973	2058	2101
35	1462	1689	1857	1967	2012
45	1192	1438	1584	1618	1671
55	864	1096	1155	1232	1319
65	369	498	585	601	631
75	34	39	54	56	53
85	2	3	5	6	6
90	0	0	0	0	0

FLUX

					189
					572
					901
					1133
					1171
					1015
					537
					69
					7



ZONAL LUMEN SUMMARY

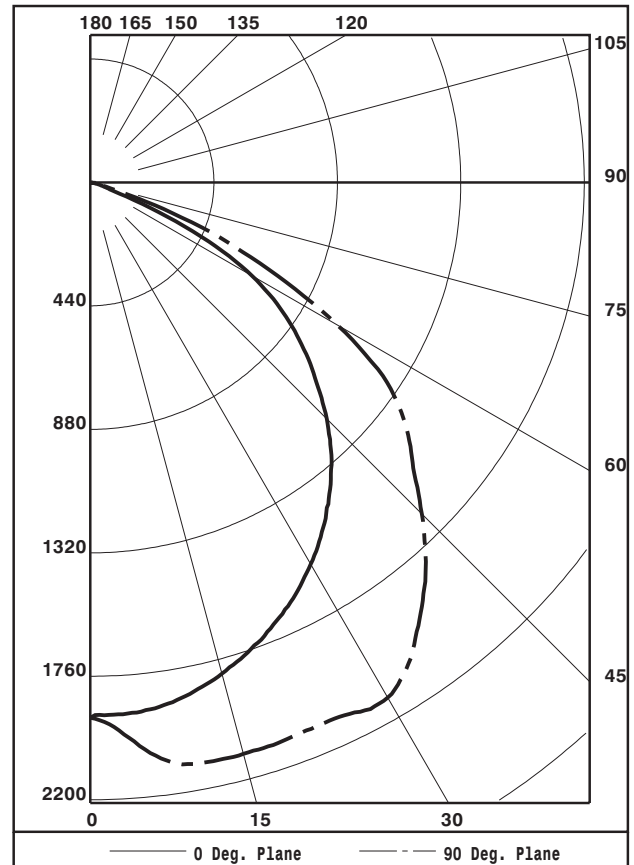
ZONE	LUMENS	%LAMP	%FIXT
0- 30	1662	14.6	29.7
0- 40	2795	24.5	50.0
0- 60	4981	43.7	89.0
0- 90	5595	49.1	100.0
90-180	0	0.0	0.0
0-180	5595	49.1	100.0

TOTAL LUMINAIRE EFFICIENCY: 49.1%

CIE TYPE: DIRECT
 PLANE: 0-DEG 90-DEG
 SPACING CRITERIA: 1.2 1.5
 SHIELDING ANGLES: 21 18
 LUMINOUS LENGTH: 48.000 5.500

LUMINANCE IN CANDELA PER SQUARE METER

ANGLE IN DEG	AVERAGE 0-DEG	AVERAGE 45-DEG	AVERAGE 90-DEG
0	11196.	11196.	11196.
45	9897.	13151.	13874.
55	8843.	11822.	13500.
65	5126.	8126.	8766.
75	771.	1225.	1202.
85	135.	337.	404.



TESTED BY HERSCHEL SCHRECK
 CHECKED BY MIKE GRATHER



LTL NUMBER: 07239

DATE: 02-20-2003

PREPARED FOR: PRECISION ARCHITECTURAL LIGHTING

COEFFICIENTS OF UTILIZATION - ZONAL CAVITY METHOD
EFFECTIVE FLOOR CAVITY REFLECTANCE 0.20

Table with 17 columns (RC, RW, 80, 70, 50, 30, 10, 0) and 11 rows (0-10) showing utilization coefficients.

CANDELA DISTRIBUTION

Table with 6 columns showing candela values for angles 0.0 to 90.0.

ZONAL LUMEN SUMMARY

Table with 3 columns showing zonal lumen values for angle ranges from 0-5 to 85-90.

THIS TEST WAS CONDUCTED USING RELATIVE PHOTOMETRY TECHNIQUES ACCORDING TO STANDARD IESNA PROCEDURES. THE USER MUST THEREFORE USE CAUTION IN THE FOLLOWING SITUATIONS: 1) THIS TEST WAS PERFORMED USING A SPECIFIC BALLAST/LAMP COMBINATION. EXTRAPOLATION OF THESE DATA FOR OTHER BALLAST/LAMP COMBINATIONS MAY PRODUCE ERRONEOUS RESULTS. 2) ACCORDING TO IESNA PROCEDURES, THE BALLAST(S) AND LAMP(S) ARE PRESUMED TO PRODUCE 100% OF RATED OUTPUT. AN APPROPRIATE BALLAST FACTOR MUST BE APPLIED TO THE LUMEN OUTPUT RATINGS AND LUMINOUS INTENSITY VALUES GIVEN. 3) THIS TEST WAS CONDUCTED IN A CONTROLLED LABORATORY ENVIRONMENT WHERE THE AMBIENT TEMPERATURE WAS HELD AT 25 C ± 1 C. FIELD PERFORMANCE MAY DIFFER PARTICULARLY IN REGARDS TO CHANGE IN LUMINOUS OUTPUT AS A RESULT OF DIFFERENCE IN AMBIENT TEMPERATURE AND METHOD OF MOUNTING THE LUMINAIRE.



LUMINAIRE TESTING LABORATORY, INC.



905 Harrison Street · Allentown, PA 18103 · (610) 770-1044 · Fax (610) 770-8912 · www.LuminaireTesting.com

INITIAL ILLUMINATION OF 50 FOOTCANDLES USING LTL TEST NUMBER 07239
 LUMINAIRE SUSPENSION LENGTH = 1.5
 WORKING PLANE HEIGHT = 2.50
 FLOOR REFLECTANCE = 20

ROOM HT		8				9				10				12			
CEIL RF		80		70		80		70		80		70		80		70	
WALL RF		70	50	50	30	70	50	50	30	70	50	50	30	70	50	50	30
WIDTH	LENGTH																
10.	10.		2	2	2	2	2	2	2	2	2	2	2	2	2	2	3
10.	15.		2	2	2	2	2	2	3	2	2	2	3	2	3	3	3
15.	20.		3	3	3	4	3	4	4	4	3	4	4	4	4	4	5
15.	30.		4	5	5	5	5	5	5	5	5	5	6	5	6	6	6
20.	20.		4	4	4	5	4	4	4	5	4	5	5	5	5	5	6
20.	30.		6	6	6	6	6	6	7	6	6	6	7	6	7	7	8
20.	40.		7	8	8	8	7	8	8	8	8	8	9	8	9	9	10
20.	60.		10	11	11	11	11	11	12	11	12	12	13	11	12	13	14
30.	30.		8	8	8	9	8	9	9	9	8	9	9	10	9	9	10
30.	40.		10	11	11	11	10	11	11	12	11	11	12	12	11	12	12
30.	50.		13	13	13	14	13	13	14	14	13	14	14	15	14	15	15
30.	60.		15	15	16	16	15	16	16	17	16	16	17	17	16	17	18
60.	60.		29	29	30	31	29	30	31	31	29	30	31	32	30	32	32
60.	80.		38	39	40	40	38	39	40	41	39	40	41	42	40	41	42
60.	100.		47	48	49	50	48	49	50	51	48	49	50	52	49	51	52
100.	100.		78	79	80	81	78	79	81	82	79	80	82	83	80	82	84

QUANTITY OF LUMINAIRES