



LTL NUMBER: 07107

DATE: 11-26-2002

PREPARED FOR: PRECISION ARCHITECTURAL LIGHTING

CATALOG NUMBER: AR9300 4LP-D/I-4-C-OP/PB-X-120-T8

LUMINAIRE: EXTRUDED ALUMINUM HOUSING, FORMED SPECULAR ALUMINUM REFLECTORS
 BESIDE LAMPS, 12 CELL, 1 1/2" DEEP, FORMED SEMI-SPECULAR
 ALUMINUM LOUVER BELOW LAMPS, OPEN TOP.

LAMPS: FOUR PHILIPS F32T8/TL841 RATED AT 2850 LUMENS EACH.

BALLAST: ONE ADVANCE RCN-4P32-SC

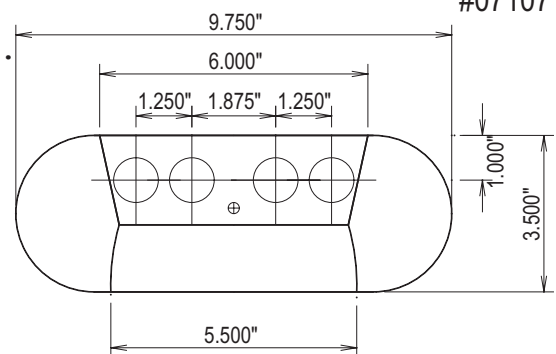
MOUNTING: PENDENT

LUMEN TO CANDELA RATIO USED = 9.18

TOTAL INPUT WATTS = 115.7 AT 120.0 VOLTS

THE 0 DEGREE PLANE IS PARALLEL WITH THE LAMPS.

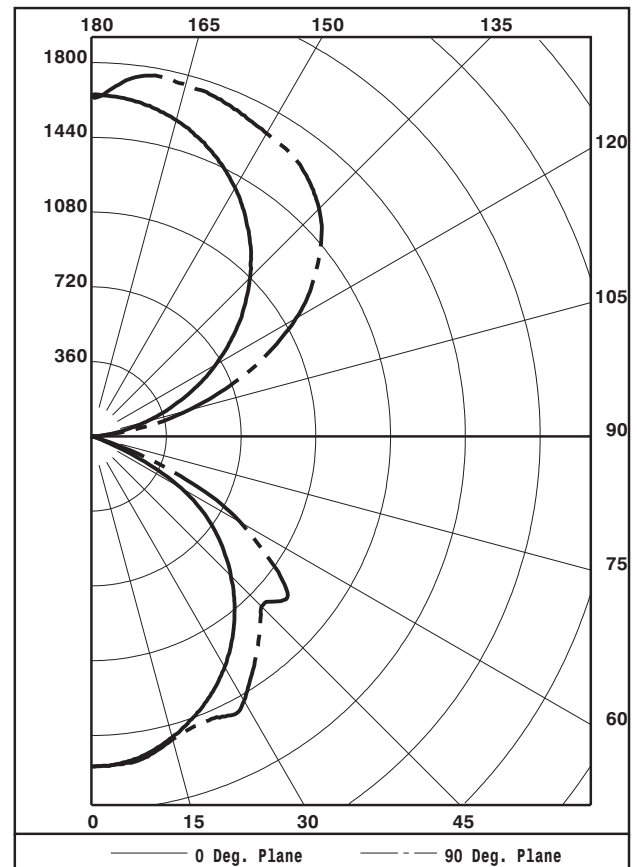
#07107



CANDELA DISTRIBUTION

CANDELA DISTRIBUTION					FLUX
0.0	22.5	45.0	67.5	90.0	
0	1589	1589	1589	1589	1589
5	1582	1585	1589	1583	1586
15	1500	1513	1518	1509	1511
25	1366	1373	1381	1448	1488
35	1185	1182	1300	1336	1361
45	948	980	1068	1109	1158
55	676	754	821	1007	1059
65	261	325	452	507	534
75	26	29	39	39	38
85	3	5	5	5	6
90	0	0	0	0	0
95	49	96	71	46	39
105	271	463	494	483	476
115	549	773	905	930	929
125	826	1014	1208	1282	1301
135	1080	1243	1412	1514	1550
145	1292	1438	1543	1626	1665
155	1458	1602	1658	1697	1710
165	1577	1675	1740	1746	1752
175	1637	1652	1687	1705	1711
180	1638	1638	1638	1638	1638

FLUX



ZONAL LUMEN SUMMARY

ZONE	LUMENS	%LAMP	%FIXT
0- 30	1229	10.8	12.4
0- 40	2025	17.8	20.4
0- 60	3611	31.7	36.5
0- 90	4076	35.8	41.1
90-120	1395	12.2	14.1
90-130	2418	21.2	24.4
90-150	4430	38.9	44.7
90-180	5829	51.1	58.9
0-180	9905	86.9	100.0

TOTAL LUMINAIRE EFFICIENCY: 86.9%

CIE TYPE: GENERAL DIFFUSE

PLANE: 0-DEG 90-DEG

SPACING CRITERIA: 1.2 1.3

SHIELDING ANGLES: 21 21

TESTED BY HERSCHEL SCHRECK
 CHECKED BY MIKE GRATHER



LUMINAIRE TESTING LABORATORY, INC.



905 Harrison Street · Allentown, PA 18103 · (610) 770-1044 · Fax (610) 770-8912 · www.LuminaireTesting.com

LTL NUMBER: 07107

DATE: 11-26-2002

PREPARED FOR: PRECISION ARCHITECTURAL LIGHTING

COEFFICIENTS OF UTILIZATION - ZONAL CAVITY METHOD
EFFECTIVE FLOOR CAVITY REFLECTANCE 0.20

Table with columns RC, RW, and rows for angles 0-10 and reflectance values 80, 70, 50, 30, 10, 0.

PLANE: 0-DEG 90-DEG
LUMINOUS LENGTH: 48.000 5.500

Table with columns ANGLE IN DEG, AVERAGE 0-DEG, AVERAGE 45-DEG, AVERAGE 90-DEG.



LTL NUMBER: 07107

DATE: 11-26-2002

PREPARED FOR: PRECISION ARCHITECTURAL LIGHTING

CANDELA DISTRIBUTION

Table with 6 columns of candela values for various angles from 0.0 to 180 degrees.

ZONAL LUMEN SUMMARY

Table with 2 columns: Zonal angle ranges and corresponding lumen values.

THIS TEST WAS CONDUCTED USING RELATIVE PHOTOMETRY TECHNIQUES ACCORDING TO STANDARD IESNA PROCEDURES. THE USER MUST THEREFORE USE CAUTION IN THE FOLLOWING SITUATIONS: 1) THIS TEST WAS PERFORMED USING A SPECIFIC BALLAST/LAMP COMBINATION. EXTRAPOLATION OF THESE DATA FOR OTHER BALLAST/LAMP COMBINATIONS MAY PRODUCE ERRONEOUS RESULTS. 2) ACCORDING TO IESNA PROCEDURES, THE BALLAST(S) AND LAMP(S) ARE PRESUMED TO PRODUCE 100% OF RATED OUTPUT. AN APPROPRIATE BALLAST FACTOR MUST BE APPLIED TO THE LUMEN OUTPUT RATINGS AND LUMINOUS INTENSITY VALUES GIVEN. 3) THIS TEST WAS CONDUCTED IN A CONTROLLED LABORATORY ENVIRONMENT WHERE THE AMBIENT TEMPERATURE WAS HELD AT 25 C 1 C. FIELD PERFORMANCE MAY DIFFER PARTICULARLY IN REGARDS TO CHANGE IN LUMINOUS OUTPUT AS A RESULT OF DIFFERENCE IN AMBIENT TEMPERATURE AND METHOD OF MOUNTING THE LUMINAIRE.



LUMINAIRE TESTING LABORATORY, INC.



905 Harrison Street · Allentown, PA 18103 · (610) 770-1044 · Fax (610) 770-8912 · www.LuminaireTesting.com

INITIAL ILLUMINATION OF 50 FOOTCANDLES USING LTL TEST NUMBER 07107
 LUMINAIRE SUSPENSION LENGTH = 1.5
 WORKING PLANE HEIGHT = 2.50
 FLOOR REFLECTANCE = 20

ROOM HT		8				9				10				12			
CEIL RF		80		70		80		70		80		70		80		70	
WALL RF		70	50	50	30	70	50	50	30	70	50	50	30	70	50	50	30
WIDTH	LENGTH																
10.	10.	1	1	1	1	1	1	1	2	1	1	2	2	1	2	2	2
10.	15.	1	2	2	2	2	2	2	2	2	2	2	2	2	2	2	3
15.	20.	2	2	3	3	2	3	3	3	2	3	3	3	3	3	3	4
15.	30.	3	3	4	4	3	3	4	4	3	4	4	4	4	4	4	5
20.	20.	3	3	3	3	3	3	3	4	3	3	4	4	3	4	4	4
20.	30.	4	4	4	5	4	4	5	5	4	4	5	5	4	5	5	6
20.	40.	5	5	6	6	5	5	6	6	5	6	6	6	5	6	7	7
20.	60.	7	7	8	8	7	8	8	9	7	8	9	9	8	9	9	10
30.	30.	5	6	6	6	5	6	6	7	6	6	7	7	6	7	7	8
30.	40.	7	7	8	8	7	7	8	8	7	8	8	9	8	8	9	10
30.	50.	8	9	9	10	9	9	10	10	9	9	10	11	9	10	11	11
30.	60.	10	10	11	12	10	11	12	12	10	11	12	12	11	12	13	13
60.	60.	19	19	21	22	19	20	21	22	19	20	22	23	20	21	23	24
60.	80.	25	25	28	28	25	26	28	29	25	26	29	29	26	27	30	31
60.	100.	31	31	34	35	31	32	35	36	31	32	35	36	32	33	36	38
100.	100.	50	51	56	56	51	52	56	57	51	52	57	58	52	54	59	60

QUANTITY OF LUMINAIRES