



LTL NUMBER: 07109

DATE: 11-26-2002

PREPARED FOR: PRECISION ARCHITECTURAL LIGHTING

CATALOG NUMBER: AR9300 4LP-D/I-4-C-OP/BW-X-120-T8

LUMINAIRE: EXTRUDED ALUMINUM HOUSING, FORMED SPECULAR ALUMINUM REFLECTORS BESIDE LAMPS, 12 CELL, 1 1/2" DEEP, FORMED WHITE ENAMEL ALUMINUM LOUVER BELOW LAMPS, OPEN TOP.

LAMPS: FOUR PHILIPS F32T8/TL841 RATED AT 2850 LUMENS EACH.

BALLAST: ONE ADVANCE RCN-4P32-SC

MOUNTING: PENDENT

LUMEN TO CANDELA RATIO USED = 9.18

TOTAL INPUT WATTS =115.7 AT 120.0 VOLTS

THE 0 DEGREE PLANE IS PARALLEL WITH THE LAMPS.

#07109

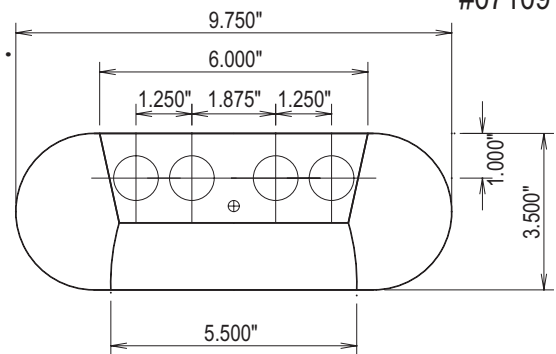
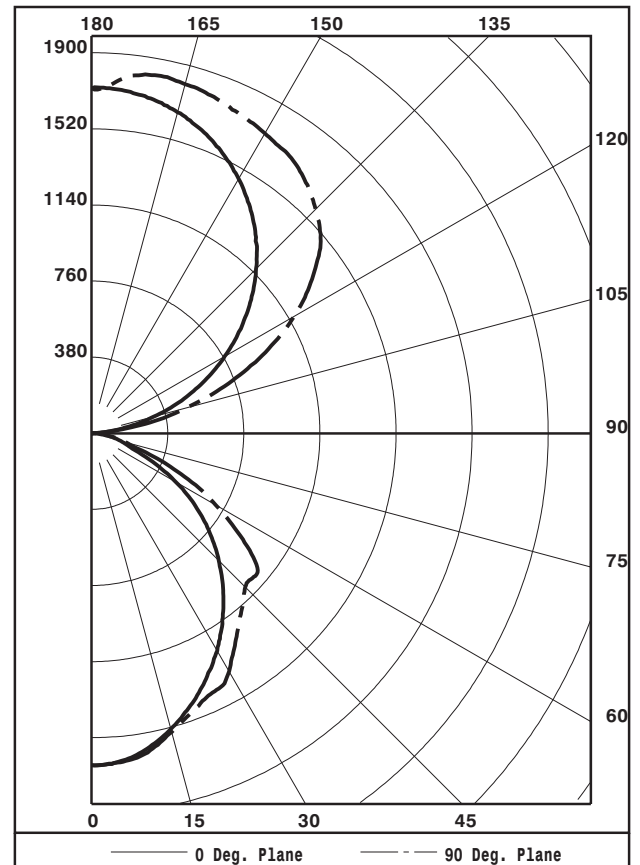


Table with columns: CANDELA DISTRIBUTION (0.0 to 180) and FLUX (156 to 49). The table shows the relationship between beam angle and light output.

Table with columns: ZONAL LUMEN SUMMARY (ZONE, LUMENS, %LAMP, %FIXT). It summarizes light output by zone angle.

TOTAL LUMINAIRE EFFICIENCY: 88.4%
CIE TYPE: SEMI-INDIRECT
PLANE: 0-DEG 90-DEG
SPACING CRITERIA: 1.1 1.2
SHIELDING ANGLES: 21 21



TESTED BY HERSCHEL SCHRECK
CHECKED BY MIKE GRATHER



LUMINAIRE TESTING LABORATORY, INC.



905 Harrison Street · Allentown, PA 18103 · (610) 770-1044 · Fax (610) 770-8912 · www.LuminaireTesting.com

LTL NUMBER: 07109

DATE: 11-26-2002

PREPARED FOR: PRECISION ARCHITECTURAL LIGHTING

COEFFICIENTS OF UTILIZATION - ZONAL CAVITY METHOD
EFFECTIVE FLOOR CAVITY REFLECTANCE 0.20

Table with columns RC, RW, and rows for angles 80, 70, 50, 30, 10, 0. Values range from 40 to 93.

PLANE: 0-DEG 90-DEG
LUMINOUS LENGTH: 48.000 5.500

Table with columns ANGLE IN DEG, AVERAGE 0-DEG, AVERAGE 45-DEG, AVERAGE 90-DEG. Values range from 2964 to 9734.



LTL NUMBER: 07109

DATE: 11-26-2002

PREPARED FOR: PRECISION ARCHITECTURAL LIGHTING

CANDELA DISTRIBUTION

ZONAL LUMEN SUMMARY

Table with 6 columns: Candela values at 0.0, 22.5, 45.0, 67.5, 90.0 degrees and Zonal Lumen Summary for 5-degree intervals from 0-5 to 175-180.

THIS TEST WAS CONDUCTED USING RELATIVE PHOTOMETRY TECHNIQUES ACCORDING TO STANDARD IESNA PROCEDURES. THE USER MUST THEREFORE USE CAUTION IN THE FOLLOWING SITUATIONS: 1) THIS TEST WAS PERFORMED USING A SPECIFIC BALLAST/LAMP COMBINATION. EXTRAPOLATION OF THESE DATA FOR OTHER BALLAST/LAMP COMBINATIONS MAY PRODUCE ERRONEOUS RESULTS. 2) ACCORDING TO IESNA PROCEDURES, THE BALLAST(S) AND LAMP(S) ARE PRESUMED TO PRODUCE 100% OF RATED OUTPUT. AN APPROPRIATE BALLAST FACTOR MUST BE APPLIED TO THE LUMEN OUTPUT RATINGS AND LUMINOUS INTENSITY VALUES GIVEN. 3) THIS TEST WAS CONDUCTED IN A CONTROLLED LABORATORY ENVIRONMENT WHERE THE AMBIENT TEMPERATURE WAS HELD AT 25 C 1 C. FIELD PERFORMANCE MAY DIFFER PARTICULARLY IN REGARDS TO CHANGE IN LUMINOUS OUTPUT AS A RESULT OF DIFFERENCE IN AMBIENT TEMPERATURE AND METHOD OF MOUNTING THE LUMINAIRE.



LUMINAIRE TESTING LABORATORY, INC.



905 Harrison Street · Allentown, PA 18103 · (610) 770-1044 · Fax (610) 770-8912 · www.LuminaireTesting.com

INITIAL ILLUMINATION OF 50 FOOTCANDLES USING LTL TEST NUMBER 07109  
 LUMINAIRE SUSPENSION LENGTH = 1.5  
 WORKING PLANE HEIGHT = 2.50  
 FLOOR REFLECTANCE = 20

ROOM HT	CEIL RF	8				9				10				12			
		80	70	50	30	80	70	50	30	80	70	50	30	80	70	50	30
WALL RF		70	50	50	30	70	50	50	30	70	50	50	30	70	50	50	30
WIDTH	LENGTH																
10.	10.	1	1	1	1	1	1	1	2	1	1	2	2	1	2	2	2
10.	15.	1	2	2	2	2	2	2	2	2	2	2	2	2	2	2	3
15.	20.	2	2	3	3	2	3	3	3	2	3	3	3	3	3	3	4
15.	30.	3	3	4	4	3	3	4	4	3	4	4	4	4	4	4	5
20.	20.	3	3	3	3	3	3	3	4	3	3	4	4	3	4	4	4
20.	30.	4	4	4	5	4	4	5	5	4	4	5	5	4	5	5	6
20.	40.	5	5	6	6	5	5	6	6	5	6	6	6	5	6	7	7
20.	60.	7	7	8	8	7	8	8	9	7	8	9	9	8	8	9	10
30.	30.	5	6	6	6	5	6	6	7	6	6	7	7	6	6	7	8
30.	40.	7	7	8	8	7	7	8	8	7	8	8	9	7	8	9	10
30.	50.	8	9	9	10	8	9	10	10	9	9	10	11	9	10	11	11
30.	60.	10	10	11	12	10	11	11	12	10	11	12	12	11	12	13	13
60.	60.	19	19	21	21	19	19	21	22	19	20	22	23	20	21	23	24
60.	80.	24	25	27	28	25	25	28	29	25	26	28	29	26	27	29	31
60.	100.	30	31	34	34	31	31	34	35	31	32	35	36	32	33	36	38
100.	100.	50	50	55	56	50	51	56	57	50	52	57	58	51	53	58	60

QUANTITY OF LUMINAIRES