



LTL NUMBER: 07337

DATE: 04-09-2003

PREPARED FOR: PRECISION ARCHITECTURAL LIGHTING

CATALOG NUMBER: TRSO3-X-4-X-TP4/PB-X-120-T5HO

LUMINAIRE: EXTRUDED ALUMINUM HOUSING, FORMED SPECULAR ALUMINUM REFLECTORS BESIDE LAMPS, 12 CELL, 1 1/2" DEEP FORMED SPECULAR ALUMINUM LOUVER WITH TRANSLUCENT WHITE ACRYLIC OVERLAY, CLEAR POLYCARBONATE ENCLOSURE WITH LAMINATED PERFORATED SPECULAR LAYER ABOVE LAMPS.

LAMPS: THREE 54 WATT HIGH OUTPUT T5 LINEAR FLUORESCENT LAMPS RATED AT 4400 LUMENS EACH.

LAMP CATALOG NUMBER: SYLVANIA FP54/841/HO

BALLASTS: TWO UNIVERSAL LIGHTING TECHNOLOGIES B254PUNV-D

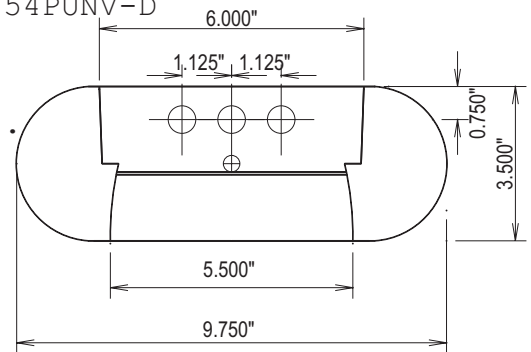
MOUNTING: PENDENT

LUMEN TO CANDELA RATIO USED = 9.18

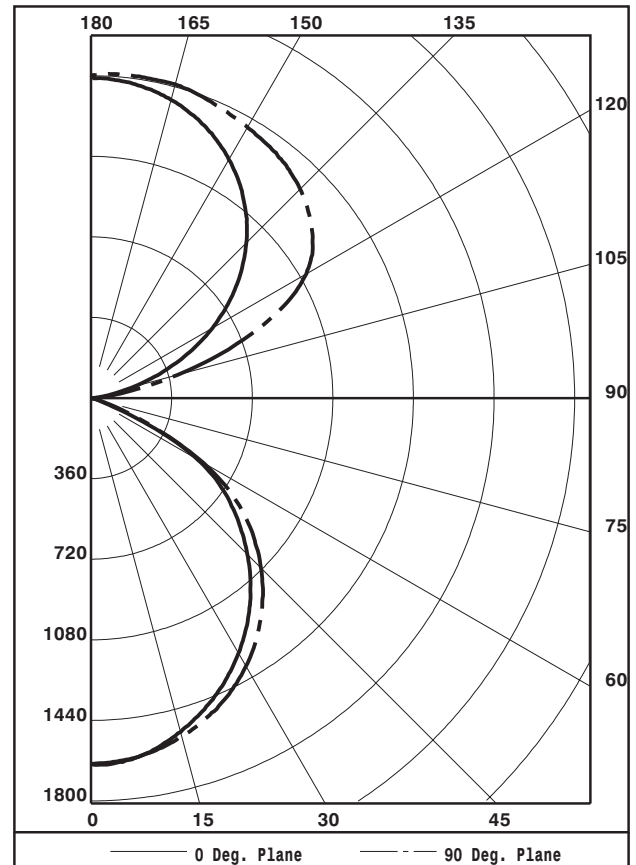
TOTAL INPUT WATTS =162.6 AT 120.0 VOLTS

THE 0 DEGREE PLANE IS PARALLEL WITH THE LAMPS.

#07337



CANDELA DISTRIBUTION						FLUX
0.0	22.5	45.0	67.5	90.0		
0	1635	1635	1635	1635	1635	
5	1632	1623	1629	1623	1625	154
15	1544	1537	1553	1559	1568	438
25	1405	1399	1416	1440	1459	656
35	1220	1213	1240	1265	1295	778
45	987	985	1009	1035	1073	783
55	723	715	723	741	784	652
65	285	318	332	313	313	314
75	27	29	31	32	32	40
85	4	6	6	6	6	4
90	0	3	6	7	7	
95	23	39	48	49	49	59
105	198	318	387	405	400	374
115	485	619	806	909	930	747
125	754	851	1026	1156	1207	898
135	981	1054	1175	1279	1320	900
145	1161	1216	1286	1349	1379	803
155	1293	1333	1376	1402	1416	631
165	1380	1408	1433	1444	1451	403
175	1424	1441	1452	1449	1451	138
180	1442	1442	1442	1442	1442	



ZONAL LUMEN SUMMARY	ZONE	LUMENS	%LAMP	%FIXT
0- 30		1248	9.5	14.2
0- 40		2026	15.3	23.1
0- 60		3460	26.2	39.5
0- 90		3817	28.9	43.5
90-120		1180	8.9	13.5
90-130		2077	15.7	23.7
90-150		3780	28.6	43.1
90-180		4952	37.5	56.5
0-180		8769	66.4	100.0

TOTAL LUMINAIRE EFFICIENCY: 66.4%

CIE TYPE: GENERAL DIFFUSE

PLANE: 0-DEG 90-DEG

SPACING CRITERIA: 1.2 1.3

TESTED BY HERSCHEL SCHRECK
CHECKED BY MIKE GRATHER



LUMINAIRE TESTING LABORATORY, INC.



905 Harrison Street · Allentown, PA 18103 · (610) 770-1044 · Fax (610) 770-8912 · www.LuminaireTesting.com

LTL NUMBER: 07337

DATE: 04-09-2003

PREPARED FOR: PRECISION ARCHITECTURAL LIGHTING

COEFFICIENTS OF UTILIZATION - ZONAL CAVITY METHOD
EFFECTIVE FLOOR CAVITY REFLECTANCE 0.20

Table with columns for RC, RW, and various cavity dimensions (80, 70, 50, 30, 10, 0) and rows for different heights (0-10).

PLANE: 0-DEG 90-DEG
LUMINOUS LENGTH: 47.750 5.500

Table showing LUMINANCE IN CANDELA PER SQUARE METER for various angles (0, 45, 55, 65, 75, 85) and average values at 0, 45, and 90 degrees.



LTL NUMBER: 07337

DATE: 04-09-2003

PREPARED FOR: PRECISION ARCHITECTURAL LIGHTING

CANDELA DISTRIBUTION

ZONAL LUMEN SUMMARY

Table with 6 columns for Candela Distribution (0.0 to 180) and 2 columns for Zonal Lumen Summary (0-5 to 175-180).

THIS TEST WAS CONDUCTED USING RELATIVE PHOTOMETRY TECHNIQUES ACCORDING TO STANDARD IESNA PROCEDURES. THE USER MUST THEREFORE USE CAUTION IN THE FOLLOWING SITUATIONS: 1) THIS TEST WAS PERFORMED USING A SPECIFIC BALLAST/LAMP COMBINATION. EXTRAPOLATION OF THESE DATA FOR OTHER BALLAST/LAMP COMBINATIONS MAY PRODUCE ERRONEOUS RESULTS. 2) ACCORDING TO IESNA PROCEDURES, THE BALLAST(S) AND LAMP(S) ARE PRESUMED TO PRODUCE 100% OF RATED OUTPUT. AN APPROPRIATE BALLAST FACTOR MUST BE APPLIED TO THE LUMEN OUTPUT RATINGS AND LUMINOUS INTENSITY VALUES GIVEN. 3) THIS TEST WAS CONDUCTED IN A CONTROLLED LABORATORY ENVIRONMENT WHERE THE AMBIENT TEMPERATURE WAS HELD AT 25 C 1 C. FIELD PERFORMANCE MAY DIFFER PARTICULARLY IN REGARDS TO CHANGE IN LUMINOUS OUTPUT AS A RESULT OF DIFFERENCE IN AMBIENT TEMPERATURE AND METHOD OF MOUNTING THE LUMINAIRE.



LUMINAIRE TESTING LABORATORY, INC.



905 Harrison Street · Allentown, PA 18103 · (610) 770-1044 · Fax (610) 770-8912 · www.LuminaireTesting.com

INITIAL ILLUMINATION OF 50 FOOTCANDLES USING LTL TEST NUMBER 07337
 LUMINAIRE SUSPENSION LENGTH = 1.5
 WORKING PLANE HEIGHT = 2.50
 FLOOR REFLECTANCE = 20

ROOM HT	CEIL RF	8				9				10				12			
		80	70	50	30	80	70	50	30	80	70	50	30	80	70	50	30
WALL RF		70	50	50	30	70	50	50	30	70	50	50	30	70	50	50	30
WIDTH	LENGTH																
10.	10.	1	1	1	2	1	1	2	2	1	2	2	2	2	2	2	2
10.	15.	2	2	2	2	2	2	2	2	2	2	2	2	2	2	2	3
15.	20.	2	3	3	3	3	3	3	3	3	3	3	3	3	3	4	4
15.	30.	3	4	4	4	3	4	4	4	4	4	4	5	4	4	5	5
20.	20.	3	3	3	4	3	3	4	4	3	4	4	4	4	4	4	5
20.	30.	4	4	5	5	4	5	5	5	4	5	5	6	5	5	6	6
20.	40.	5	6	6	6	6	6	6	7	6	6	7	7	6	7	7	8
20.	60.	8	8	9	9	8	8	9	10	8	9	9	10	9	9	10	11
30.	30.	6	6	7	7	6	6	7	7	6	7	7	8	7	7	8	8
30.	40.	8	8	9	9	8	8	9	9	8	8	9	10	8	9	10	10
30.	50.	9	10	11	11	10	10	11	11	10	10	11	12	10	11	12	13
30.	60.	11	11	12	13	11	12	13	13	11	12	13	14	12	13	14	15
60.	60.	21	22	23	24	21	22	24	25	22	22	24	25	22	23	25	26
60.	80.	28	28	31	31	28	29	31	32	28	29	32	33	29	30	33	34
60.	100.	34	35	38	39	35	36	39	40	35	36	39	40	36	37	41	42
100.	100.	56	57	62	63	57	58	63	64	57	58	64	65	58	60	65	67

QUANTITY OF LUMINAIRES