



LTL NUMBER: 07210

DATE: 01-30-2003

PREPARED FOR: PRECISION ARCHITECTURAL LIGHTING

CATALOG NUMBER: TRSO3-PP2-4-PB-120-T8

LUMINAIRE: EXTRUDED ALUMINUM HOUSING, FORMED SPECULAR ALUMINUM REFLECTORS
 BESIDE LAMPS, 12 CELL, 1 1/2" DEEP, FORMED SEMI-SPECULAR
 ALUMINUM LOUVER BELOW LAMPS, CLEAR POLYCARBONATE ENCLOSURE
 WITH LAMINATED PERFORATED SPECULAR LAYER ABOVE LAMPS.

LAMPS: THREE PHILIPS F32T8/TL841 RATED AT 2850 LUMENS EACH.

BALLAST: ONE SYLVANIA QT3X32T8/120 ISN-SC

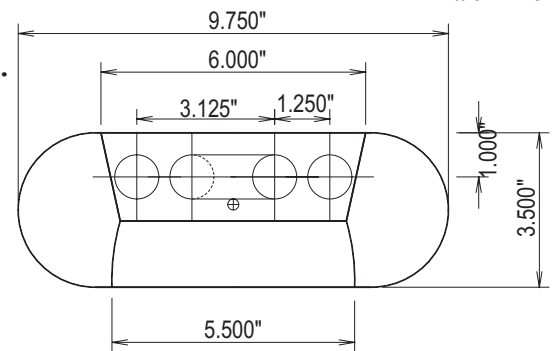
MOUNTING: PENDENT

LUMEN TO CANDELA RATIO USED = 9.18

TOTAL INPUT WATTS = 80.9 AT 120.0 VOLTS

THE 0 DEGREE PLANE IS PARALLEL WITH THE LAMPS.

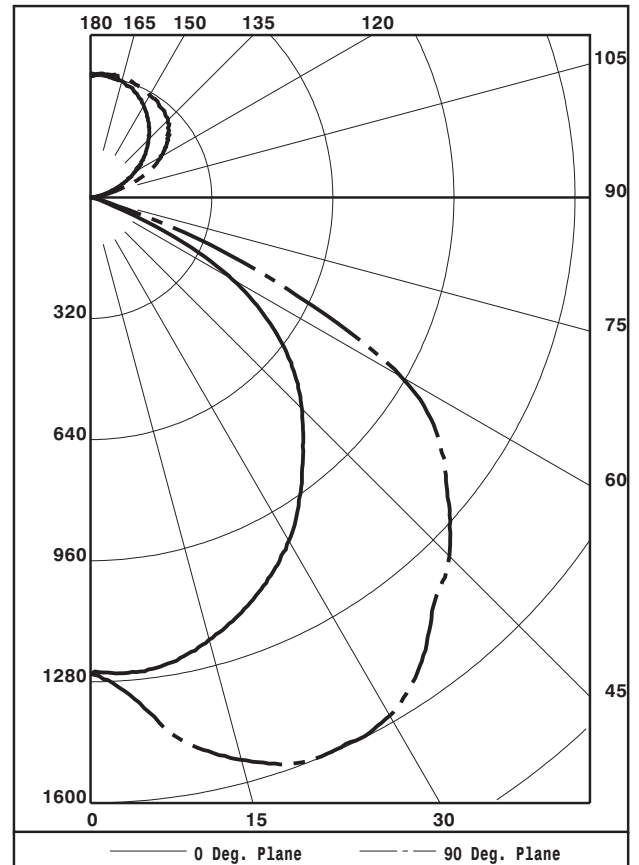
#07210



CANDELA DISTRIBUTION

	0.0	22.5	45.0	67.5	90.0	
0	1259	1259	1259	1259	1259	
5	1259	1278	1305	1318	1330	
15	1210	1311	1459	1522	1539	126
25	1110	1313	1478	1565	1594	401
35	963	1221	1390	1477	1515	660
45	790	1049	1187	1270	1341	833
55	579	803	914	1027	1125	880
65	234	344	483	544	576	797
75	22	29	40	42	41	437
85	2	2	2	3	4	50
90	0	0	0	0	0	6
95	2	10	10	9	7	10
105	42	62	75	76	71	71
115	105	131	159	172	178	149
125	163	185	219	237	245	189
135	216	232	257	280	290	197
145	260	274	289	302	309	180
155	297	306	311	318	319	144
165	319	323	329	329	329	92
175	327	326	329	328	329	31
180	324	324	324	324	324	

FLUX



ZONAL LUMEN SUMMARY

ZONE	LUMENS	%LAMP	%FIXT
0- 30	1187	13.9	22.6
0- 40	2020	23.6	38.5
0- 60	3697	43.2	70.4
0- 90	4189	49.0	79.8
90-120	230	2.7	4.4
90-130	419	4.9	8.0
90-150	796	9.3	15.2
90-180	1062	12.4	20.2
0-180	5252	61.4	100.0

TOTAL LUMINAIRE EFFICIENCY: 61.4%

CIE TYPE: SEMI-DIRECT
 PLANE: 0-DEG 90-DEG
 SPACING CRITERIA: 1.2 1.7
 SHIELDING ANGLES: 21 21

TESTED BY HERSCHEL SCHRECK
 CHECKED BY MIKE GRATHER



LUMINAIRE TESTING LABORATORY, INC.



905 Harrison Street · Allentown, PA 18103 · (610) 770-1044 · Fax (610) 770-8912 · www.LuminaireTesting.com

LTL NUMBER: 07210

DATE: 01-30-2003

PREPARED FOR: PRECISION ARCHITECTURAL LIGHTING

COEFFICIENTS OF UTILIZATION - ZONAL CAVITY METHOD
EFFECTIVE FLOOR CAVITY REFLECTANCE 0.20

Table with columns RC, RW, and rows for cavity heights 80, 70, 50, 30, 10, 0. Each row contains 18 numerical values representing utilization coefficients.

PLANE: 0-DEG 90-DEG
LUMINOUS LENGTH: 48.000 5.500

Table with columns ANGLE IN DEG, AVERAGE 0-DEG, AVERAGE 45-DEG, AVERAGE 90-DEG. Rows show luminance values for angles 0, 45, 55, 65, 75, 85.



LTL NUMBER: 07210

DATE: 01-30-2003

PREPARED FOR: PRECISION ARCHITECTURAL LIGHTING

CANDELA DISTRIBUTION

ZONAL LUMEN SUMMARY

Table with 6 columns: Candela values (0.0, 22.5, 45.0, 67.5, 90.0) and Zonal Lumen Summary ranges (0-5, 5-10, etc.) with corresponding values.

THIS TEST WAS CONDUCTED USING RELATIVE PHOTOMETRY TECHNIQUES ACCORDING TO STANDARD IESNA PROCEDURES. THE USER MUST THEREFORE USE CAUTION IN THE FOLLOWING SITUATIONS: 1) THIS TEST WAS PERFORMED USING A SPECIFIC BALLAST/LAMP COMBINATION. EXTRAPOLATION OF THESE DATA FOR OTHER BALLAST/LAMP COMBINATIONS MAY PRODUCE ERRONEOUS RESULTS. 2) ACCORDING TO IESNA PROCEDURES, THE BALLAST(S) AND LAMP(S) ARE PRESUMED TO PRODUCE 100% OF RATED OUTPUT. AN APPROPRIATE BALLAST FACTOR MUST BE APPLIED TO THE LUMEN OUTPUT RATINGS AND LUMINOUS INTENSITY VALUES GIVEN. 3) THIS TEST WAS CONDUCTED IN A CONTROLLED LABORATORY ENVIRONMENT WHERE THE AMBIENT TEMPERATURE WAS HELD AT 25 C 1 C. FIELD PERFORMANCE MAY DIFFER PARTICULARLY IN REGARDS TO CHANGE IN LUMINOUS OUTPUT AS A RESULT OF DIFFERENCE IN AMBIENT TEMPERATURE AND METHOD OF MOUNTING THE LUMINAIRE.



LUMINAIRE TESTING LABORATORY, INC.



905 Harrison Street · Allentown, PA 18103 · (610) 770-1044 · Fax (610) 770-8912 · www.LuminaireTesting.com

INITIAL ILLUMINATION OF 50 FOOTCANDLES USING LTL TEST NUMBER 07210
LUMINAIRE SUSPENSION LENGTH = 1.5
WORKING PLANE HEIGHT = 2.50
FLOOR REFLECTANCE = 20

Table with columns for ROOM HT, CEIL RF, WALL RF, WIDTH, LENGTH, and a grid of values for room dimensions 8, 9, 10, 12. Values range from 2 to 98.

QUANTITY OF LUMINAIRES