



LTL NUMBER: 07238

DATE: 02-20-2003

PREPARED FOR: PRECISION ARCHITECTURAL LIGHTING

CATALOG NUMBER: TRSO3-SP-4-X-BW-X-120-T8

LUMINAIRE: EXTRUDED ALUMINUM HOUSING, FORMED SPECULAR ALUMINUM REFLECTORS, 12 CELL, 1 1/2" DEEP, FORMED WHITE ENAMEL ALUMINUM LOUVER BELOW LAMPS.

LAMPS: THREE 32 WATT LINEAR FLUORESCENT T8 LAMPS RATED AT 2850 LUMENS EACH LAMP CATALOG NUMBER: PHILIPS F32T8/TL841

BALLAST: ONE UNIVERSAL LIGHTING TECHNOLOGIES B332I120RH-A

MOUNTING: PENDENT

LUMEN TO CANDELA RATIO USED = 9.18

TOTAL INPUT WATTS = 82.5 AT 120.0 VOLTS

THE 0 DEGREE PLANE IS PARALLEL WITH THE LAMPS.

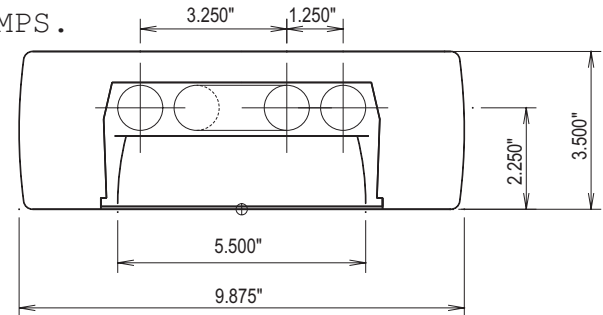
#07238

CANDELA DISTRIBUTION

	0.0	22.5	45.0	67.5	90.0
0	1485	1485	1485	1485	1485
5	1487	1499	1517	1522	1525
15	1436	1498	1562	1598	1605
25	1313	1403	1515	1617	1653
35	1147	1258	1410	1581	1677
45	886	1040	1244	1380	1480
55	680	785	927	1012	1099
65	399	474	536	587	638
75	188	189	201	210	216
85	53	54	56	60	61
90	0	0	0	0	0

FLUX

145
437
695
886
933
806
523
221
62



ZONAL LUMEN SUMMARY

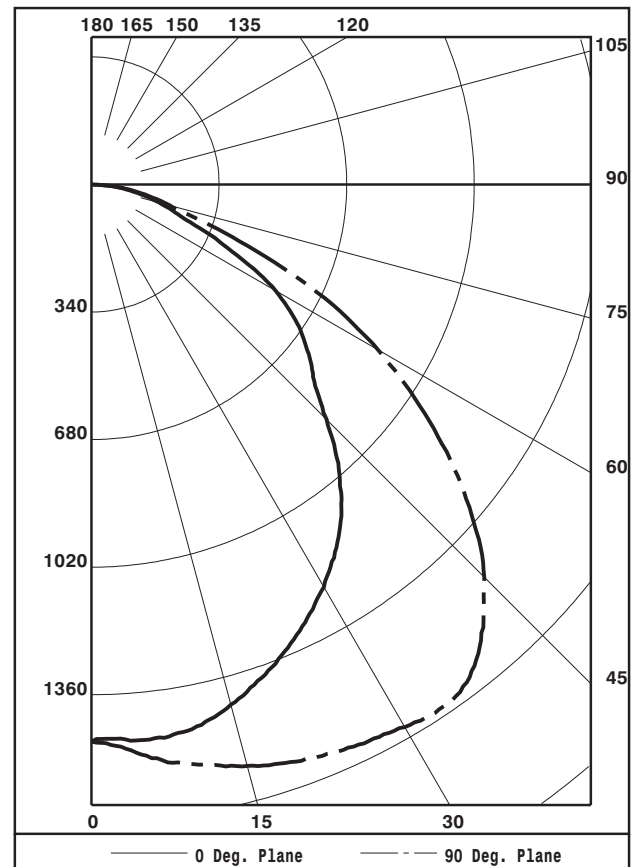
ZONE	LUMENS	%LAMP	%FIXT
0- 30	1277	14.9	27.1
0- 40	2162	25.3	45.9
0- 60	3901	45.6	82.9
0- 90	4706	55.0	100.0
90-180	0	0.0	0.0
0-180	4706	55.0	100.0

TOTAL LUMINAIRE EFFICIENCY: 55.0%

CIE TYPE: DIRECT  
 PLANE: 0-DEG 90-DEG  
 SPACING CRITERIA: 1.2 1.7  
 SHIELDING ANGLES: 21 18  
 LUMINOUS LENGTH: 48.000 5.500

LUMINANCE IN CANDELA PER SQUARE METER

ANGLE IN DEG	AVERAGE 0-DEG	AVERAGE 45-DEG	AVERAGE 90-DEG
0	8718.	8718.	8718.
45	7356.	10328.	12288.
55	6960.	9488.	11249.
65	5543.	7446.	8863.
75	4264.	4559.	4900.
85	3570.	3772.	4109.



TESTED BY HERSCHEL SCHRECK  
 CHECKED BY MIKE GRATHER



LTL NUMBER: 07238

DATE: 02-20-2003

PREPARED FOR: PRECISION ARCHITECTURAL LIGHTING

COEFFICIENTS OF UTILIZATION - ZONAL CAVITY METHOD  
EFFECTIVE FLOOR CAVITY REFLECTANCE 0.20

RC	80				70				50			30			10			0
RW	70	50	30	10	70	50	30	10	50	30	10	50	30	10	50	30	10	0
0	66	66	66	66	64	64	64	64	61	61	61	59	59	59	56	56	56	55
1	61	58	56	54	59	57	55	53	55	53	52	53	51	50	51	50	49	48
2	56	52	48	45	54	51	47	45	49	46	44	47	45	43	45	43	42	41
3	51	46	42	38	50	45	41	38	43	40	37	42	39	37	41	38	36	35
4	47	41	36	33	46	40	36	33	39	35	32	37	34	32	36	34	31	30
5	43	36	31	28	42	35	31	28	34	30	27	33	30	27	32	29	27	26
6	39	32	27	24	38	32	27	24	31	27	24	30	26	23	29	26	23	22
7	36	29	24	21	35	28	24	21	28	23	21	27	23	20	26	23	20	19
8	33	26	21	18	32	25	21	18	25	21	18	24	20	18	23	20	17	16
9	31	23	18	15	30	23	18	15	22	18	15	21	18	15	21	17	15	14
10	28	21	16	13	28	21	16	13	20	16	13	19	16	13	19	16	13	12

CANDELA DISTRIBUTION

	0.0	22.5	45.0	67.5	90.0
0	1485	1485	1485	1485	1485
5	1487	1499	1517	1522	1525
10	1478	1513	1556	1568	1569
15	1436	1498	1562	1598	1605
20	1379	1460	1545	1616	1635
25	1313	1403	1515	1617	1653
30	1239	1338	1470	1603	1670
35	1147	1258	1410	1581	1677
40	1030	1165	1339	1516	1609
45	886	1040	1244	1380	1480
50	767	903	1097	1210	1303
55	680	785	927	1012	1099
60	566	650	734	803	883
65	399	474	536	587	638
70	261	285	352	366	381
75	188	189	201	210	216
80	117	118	123	131	135
85	53	54	56	60	61
90	0	0	0	0	0

ZONAL LUMEN SUMMARY

0- 5	36.
5- 10	109.
10- 15	183.
15- 20	254.
20- 25	318.
25- 30	376.
30- 35	425.
35- 40	461.
40- 45	473.
45- 50	460.
50- 55	428.
55- 60	378.
60- 65	307.
65- 70	216.
70- 75	134.
75- 80	87.
80- 85	49.
85- 90	13.

THIS TEST WAS CONDUCTED USING RELATIVE PHOTOMETRY TECHNIQUES ACCORDING TO STANDARD IESNA PROCEDURES. THE USER MUST THEREFORE USE CAUTION IN THE FOLLOWING SITUATIONS: 1) THIS TEST WAS PERFORMED USING A SPECIFIC BALLAST/LAMP COMBINATION. EXTRAPOLATION OF THESE DATA FOR OTHER BALLAST/LAMP COMBINATIONS MAY PRODUCE ERRONEOUS RESULTS. 2) ACCORDING TO IESNA PROCEDURES, THE BALLAST(S) AND LAMP(S) ARE PRESUMED TO PRODUCE 100% OF RATED OUTPUT. AN APPROPRIATE BALLAST FACTOR MUST BE APPLIED TO THE LUMEN OUTPUT RATINGS AND LUMINOUS INTENSITY VALUES GIVEN. 3) THIS TEST WAS CONDUCTED IN A CONTROLLED LABORATORY ENVIRONMENT WHERE THE AMBIENT TEMPERATURE WAS HELD AT 25 C ± 1 C. FIELD PERFORMANCE MAY DIFFER PARTICULARLY IN REGARDS TO CHANGE IN LUMINOUS OUTPUT AS A RESULT OF DIFFERENCE IN AMBIENT TEMPERATURE AND METHOD OF MOUNTING THE LUMINAIRE.



LUMINAIRE TESTING LABORATORY, INC.



905 Harrison Street · Allentown, PA 18103 · (610) 770-1044 · Fax (610) 770-8912 · www.LuminaireTesting.com

INITIAL ILLUMINATION OF 50 FOOTCANDLES USING LTL TEST NUMBER 07238
LUMINAIRE SUSPENSION LENGTH = 1.5
WORKING PLANE HEIGHT = 2.50
FLOOR REFLECTANCE = 20

Table with columns for ROOM HT, CEIL RF, WALL RF, WIDTH, and LENGTH, and rows for room dimensions (10, 15, 20, 30, 60, 100) and reflectance values (80, 70).

QUANTITY OF LUMINAIRES