



LTL NUMBER: 07237

DATE: 02-19-2003

PREPARED FOR: PRECISION ARCHITECTURAL LIGHTING

CATALOG NUMBER: TRSO3-SP-4-X-PB-X-120-T8

LUMINAIRE: EXTRUDED ALUMINUM HOUSING, FORMED SPECULAR ALUMINUM REFLECTORS, 12 CELL, 1 1/2" DEEP, FORMED SEMI-SPECULAR ALUMINUM LOUVER BELOW LAMPS.

LAMPS: THREE 32 WATT LINEAR FLUORESCENT T8 LAMPS RATED AT 2850 LUMENS EACH

LAMP CATALOG NUMBER: PHILIPS F32T8/TL841

BALLAST: ONE UNIVERSAL LIGHTING TECHNOLOGIES B332I120RH-A

MOUNTING: PENDENT

LUMEN TO CANDELA RATIO USED = 9.18

TOTAL INPUT WATTS = 82.4 AT 120.0 VOLTS

THE 0 DEGREE PLANE IS PARALLEL WITH THE LAMPS.

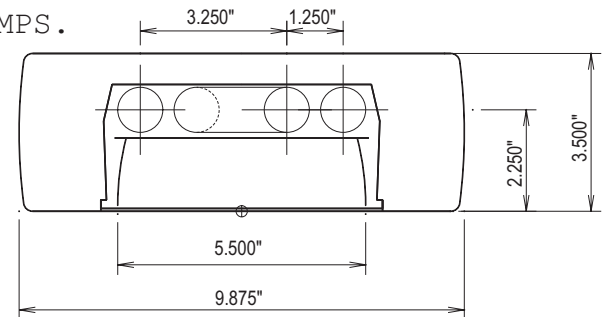
#07237

CANDELA DISTRIBUTION

	0.0	22.5	45.0	67.5	90.0
0	1348	1348	1348	1348	1348
5	1342	1352	1376	1386	1392
15	1282	1357	1449	1506	1520
25	1181	1315	1482	1590	1620
35	1033	1243	1456	1632	1713
45	838	1109	1381	1508	1592
55	615	881	1093	1170	1242
65	265	437	563	638	688
75	26	38	52	56	53
85	4	5	6	6	7
90	0	0	0	0	0

FLUX

132
405
669
892
1003
906
511
67
7



ZONAL LUMEN SUMMARY

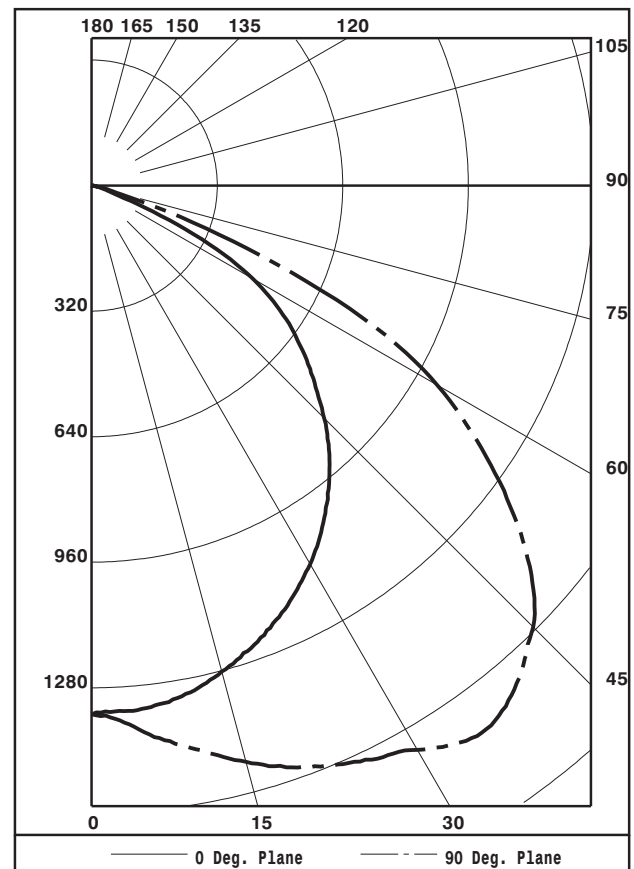
ZONE	LUMENS	%LAMP	%FIXT
0- 30	1206	14.1	26.3
0- 40	2098	24.5	45.7
0- 60	4007	46.9	87.3
0- 90	4592	53.7	100.0
90-180	0	0.0	0.0
0-180	4592	53.7	100.0

TOTAL LUMINAIRE EFFICIENCY: 53.7%

CIE TYPE: DIRECT
 PLANE: 0-DEG 90-DEG
 SPACING CRITERIA: 1.2 1.8
 SHIELDING ANGLES: 21 18
 LUMINOUS LENGTH: 48.000 5.500

LUMINANCE IN CANDELA PER SQUARE METER

ANGLE IN DEG	AVERAGE 0-DEG	AVERAGE 45-DEG	AVERAGE 90-DEG
0	7914.	7914.	7914.
45	6958.	11466.	13218.
55	6295.	11187.	12712.
65	3681.	7821.	9557.
75	590.	1180.	1202.
85	269.	404.	472.



TESTED BY HERSCHEL SCHRECK
 CHECKED BY MIKE GRATHER



LTL NUMBER: 07237

DATE: 02-19-2003

PREPARED FOR: PRECISION ARCHITECTURAL LIGHTING

COEFFICIENTS OF UTILIZATION - ZONAL CAVITY METHOD
EFFECTIVE FLOOR CAVITY REFLECTANCE 0.20

Table with 19 columns: RC, RW, and four groups of three columns each representing different cavity heights (80, 70, 50, 30, 10, 0). Rows represent different luminaire heights from 0 to 10.

CANDELA DISTRIBUTION

Table with 6 columns representing beam spread angles from 0.0 to 90.0 degrees. Rows represent luminaire heights from 0 to 90.

ZONAL LUMEN SUMMARY

Table with 3 columns representing beam spread angle ranges (e.g., 0-5, 5-10) and total lumen values. Rows represent luminaire heights from 0 to 90.

THIS TEST WAS CONDUCTED USING RELATIVE PHOTOMETRY TECHNIQUES ACCORDING TO STANDARD IESNA PROCEDURES. THE USER MUST THEREFORE USE CAUTION IN THE FOLLOWING SITUATIONS: 1) THIS TEST WAS PERFORMED USING A SPECIFIC BALLAST/LAMP COMBINATION. EXTRAPOLATION OF THESE DATA FOR OTHER BALLAST/LAMP COMBINATIONS MAY PRODUCE ERRONEOUS RESULTS. 2) ACCORDING TO IESNA PROCEDURES, THE BALLAST(S) AND LAMP(S) ARE PRESUMED TO PRODUCE 100% OF RATED OUTPUT. AN APPROPRIATE BALLAST FACTOR MUST BE APPLIED TO THE LUMEN OUTPUT RATINGS AND LUMINOUS INTENSITY VALUES GIVEN. 3) THIS TEST WAS CONDUCTED IN A CONTROLLED LABORATORY ENVIRONMENT WHERE THE AMBIENT TEMPERATURE WAS HELD AT 25 C ± 1 C. FIELD PERFORMANCE MAY DIFFER PARTICULARLY IN REGARDS TO CHANGE IN LUMINOUS OUTPUT AS A RESULT OF DIFFERENCE IN AMBIENT TEMPERATURE AND METHOD OF MOUNTING THE LUMINAIRE.



LUMINAIRE TESTING LABORATORY, INC.



905 Harrison Street · Allentown, PA 18103 · (610) 770-1044 · Fax (610) 770-8912 · www.LuminaireTesting.com

INITIAL ILLUMINATION OF 50 FOOTCANDLES USING LTL TEST NUMBER 07237
 LUMINAIRE SUSPENSION LENGTH = 1.5
 WORKING PLANE HEIGHT = 2.50
 FLOOR REFLECTANCE = 20

ROOM HT		8				9				10				12			
CEIL RF		80		70		80		70		80		70		80		70	
WALL RF		70	50	50	30	70	50	50	30	70	50	50	30	70	50	50	30
WIDTH	LENGTH																
10.	10.	2	2	2	2	2	2	2	2	2	2	2	3	2	3	3	3
10.	15.	2	2	3	3	2	3	3	3	3	3	3	3	3	3	4	4
15.	20.	4	4	4	4	4	4	4	5	4	5	5	5	5	5	5	6
15.	30.	5	6	6	6	5	6	6	6	6	6	6	7	6	7	7	8
20.	20.	5	5	5	5	5	5	5	6	5	6	6	6	6	6	6	7
20.	30.	7	7	7	8	7	7	8	8	7	8	8	8	8	8	9	9
20.	40.	9	9	9	10	9	9	10	10	9	10	10	11	10	11	11	12
20.	60.	13	13	13	14	13	14	14	15	13	14	14	15	14	15	16	17
30.	30.	10	10	10	11	10	10	11	11	10	11	11	12	11	12	12	13
30.	40.	12	13	13	14	13	13	14	14	13	14	14	15	14	15	15	16
30.	50.	15	16	16	17	16	16	17	17	16	17	17	18	17	18	18	19
30.	60.	18	19	19	20	19	19	20	20	19	20	20	21	20	21	21	23
60.	60.	35	36	37	37	35	36	37	38	36	37	38	39	37	39	39	41
60.	80.	46	47	48	49	47	48	49	50	47	49	50	51	48	50	51	53
60.	100.	57	59	60	61	58	59	61	62	59	60	62	63	60	62	63	65
100.	100.	95	96	98	99	95	97	99	101	96	98	100	102	97	100	102	105

QUANTITY OF LUMINAIRES