

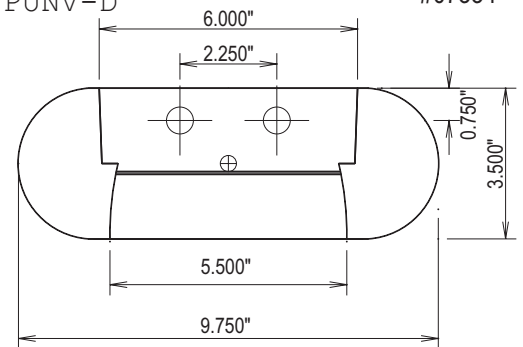


LTL NUMBER: 07334
 PREPARED FOR: PRECISION ARCHITECTURAL LIGHTING
 CATALOG NUMBER: TRSO2-X-4-X-TP4/PB-X-120-T5HO
 LUMINAIRE: EXTRUDED ALUMINUM HOUSING, FORMED SPECULAR ALUMINUM REFLECTORS BESIDE LAMPS, 12 CELL, 1 1/2" DEEP FORMED SPECULAR ALUMINUM LOUVER WITH TRANSLUCENT WHITE ACRYLIC OVERLAY, CLEAR POLYCARBONATE ENCLOSURE WITH LAMINATED PERFORATED SPECULAR LAYER ABOVE LAMPS.
 LAMPS: TWO 54 WATT HIGH OUTPUT T5 LINEAR FLUORESCENT LAMPS RATED AT 4400 LUMENS EACH.
 LAMP CATALOG NUMBER: SYLVANIA FP54/841/HO
 BALLAST: ONE UNIVERSAL LIGHTING TECHNOLOGIES B254PUNV-D
 MOUNTING: PENDENT

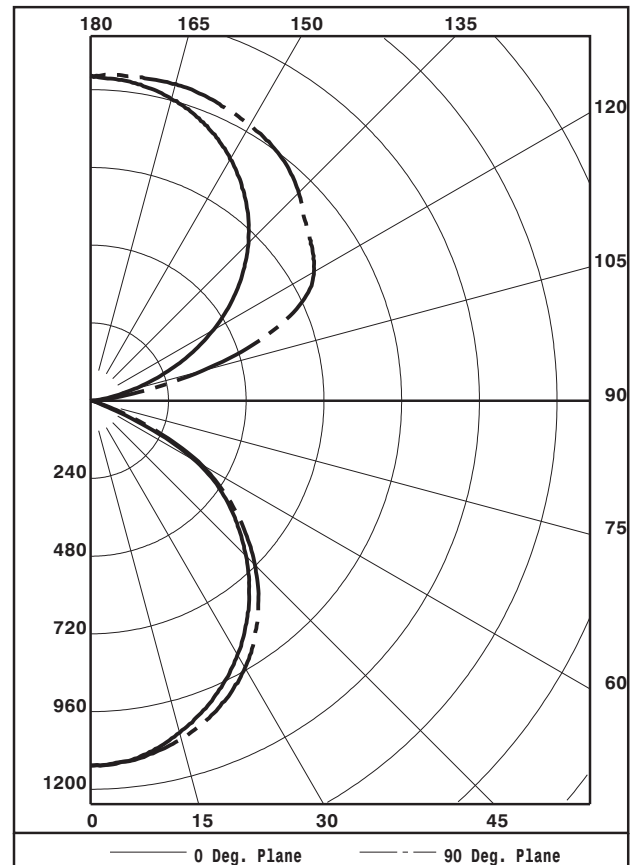
DATE: 04-09-2003

#07334

LUMEN TO CANDELA RATIO USED = 9.18
 TOTAL INPUT WATTS = 114.2 AT 120.0 VOLTS
 THE 0 DEGREE PLANE IS PARALLEL WITH THE LAMPS.



CANDELA DISTRIBUTION						FLUX
0.0	22.5	45.0	67.5	90.0		
0	1127	1127	1127	1127	1127	
5	1120	1118	1124	1119	1119	107
15	1062	1063	1073	1077	1080	302
25	966	967	978	995	1007	453
35	839	838	852	867	885	535
45	679	678	687	695	718	531
55	495	487	481	486	511	437
65	194	214	224	226	231	216
75	17	18	20	20	20	27
85	4	5	5	5	5	4
90	1	3	4	5	4	
95	15	28	38	42	41	45
105	140	221	311	352	357	297
115	341	431	565	685	719	542
125	529	603	704	790	833	621
135	690	742	825	885	908	627
145	812	850	904	950	968	563
155	906	929	964	984	993	442
165	964	979	997	1006	1013	281
175	994	1000	1008	1008	1010	96
180	1004	1004	1004	1004	1004	



ZONAL LUMEN SUMMARY			
ZONE	LUMENS	%LAMP	%FIXT
0- 30	862	9.8	14.1
0- 40	1397	15.9	22.8
0- 60	2365	26.9	38.6
0- 90	2611	29.7	42.6
90-120	884	10.0	14.4
90-130	1505	17.1	24.6
90-150	2696	30.6	44.0
90-180	3515	39.9	57.4
0-180	6126	69.6	100.0

TOTAL LUMINAIRE EFFICIENCY: 69.6%
 CIE TYPE: GENERAL DIFFUSE
 PLANE: 0-DEG 90-DEG
 SPACING CRITERIA: 1.2 1.3

TESTED BY HERSCHEL SCHRECK
 CHECKED BY MIKE GRATHER



LUMINAIRE TESTING LABORATORY, INC.



905 Harrison Street · Allentown, PA 18103 · (610) 770-1044 · Fax (610) 770-8912 · www.LuminaireTesting.com

LTL NUMBER: 07334

DATE: 04-09-2003

PREPARED FOR: PRECISION ARCHITECTURAL LIGHTING

COEFFICIENTS OF UTILIZATION - ZONAL CAVITY METHOD
EFFECTIVE FLOOR CAVITY REFLECTANCE 0.20

Table with 19 columns (RC, RW, and 17 numerical values) and 11 rows (0-10). Values represent utilization coefficients for different room dimensions and heights.

PLANE: 0-DEG 90-DEG
LUMINOUS LENGTH: 47.750 5.500

Table with 4 columns (ANGLE IN DEG, AVERAGE 0-DEG, AVERAGE 45-DEG, AVERAGE 90-DEG) and 6 rows (0, 45, 55, 65, 75, 85). Values represent luminance in candela per square meter.



LTL NUMBER: 07334

DATE: 04-09-2003

PREPARED FOR: PRECISION ARCHITECTURAL LIGHTING

CANDELA DISTRIBUTION

ZONAL LUMEN SUMMARY

Table with 6 columns for Candela Distribution (0.0 to 180) and 3 columns for Zonal Lumen Summary (0-5 to 175-180).

THIS TEST WAS CONDUCTED USING RELATIVE PHOTOMETRY TECHNIQUES ACCORDING TO STANDARD IESNA PROCEDURES. THE USER MUST THEREFORE USE CAUTION IN THE FOLLOWING SITUATIONS: 1) THIS TEST WAS PERFORMED USING A SPECIFIC BALLAST/LAMP COMBINATION. EXTRAPOLATION OF THESE DATA FOR OTHER BALLAST/LAMP COMBINATIONS MAY PRODUCE ERRONEOUS RESULTS. 2) ACCORDING TO IESNA PROCEDURES, THE BALLAST(S) AND LAMP(S) ARE PRESUMED TO PRODUCE 100% OF RATED OUTPUT. AN APPROPRIATE BALLAST FACTOR MUST BE APPLIED TO THE LUMEN OUTPUT RATINGS AND LUMINOUS INTENSITY VALUES GIVEN. 3) THIS TEST WAS CONDUCTED IN A CONTROLLED LABORATORY ENVIRONMENT WHERE THE AMBIENT TEMPERATURE WAS HELD AT 25 C 1 C. FIELD PERFORMANCE MAY DIFFER PARTICULARLY IN REGARDS TO CHANGE IN LUMINOUS OUTPUT AS A RESULT OF DIFFERENCE IN AMBIENT TEMPERATURE AND METHOD OF MOUNTING THE LUMINAIRE.



LUMINAIRE TESTING LABORATORY, INC.



905 Harrison Street · Allentown, PA 18103 · (610) 770-1044 · Fax (610) 770-8912 · www.LuminaireTesting.com

INITIAL ILLUMINATION OF 50 FOOTCANDLES USING LTL TEST NUMBER 07334
 LUMINAIRE SUSPENSION LENGTH = 1.5
 WORKING PLANE HEIGHT = 2.50
 FLOOR REFLECTANCE = 20

ROOM HT		8				9				10				12			
CEIL RF		80		70		80		70		80		70		80		70	
WALL RF		70	50	50	30	70	50	50	30	70	50	50	30	70	50	50	30
WIDTH	LENGTH																
10.	10.		2	2	2	2	2	2	2	2	2	2	2	2	2	3	3
10.	15.		2	2	2	3	2	2	3	3	2	3	3	3	3	3	4
15.	20.		3	4	4	4	3	4	4	4	4	4	4	5	4	5	5
15.	30.		5	5	5	6	5	5	6	6	5	6	6	6	5	6	7
20.	20.		4	4	5	5	4	5	5	5	4	5	5	6	5	5	6
20.	30.		6	6	7	7	6	6	7	7	6	7	7	8	7	7	8
20.	40.		8	8	9	9	8	8	9	9	8	9	9	10	8	9	10
20.	60.		11	11	12	13	11	12	13	14	11	12	13	14	12	13	14
30.	30.		8	9	9	10	8	9	10	10	9	9	10	11	9	10	11
30.	40.		11	11	12	13	11	12	13	13	11	12	13	14	12	13	14
30.	50.		13	14	15	15	13	14	15	16	14	15	16	17	14	16	17
30.	60.		16	16	18	18	16	17	18	19	16	17	19	20	17	18	20
60.	60.		30	31	33	34	30	31	34	35	31	32	35	36	32	33	36
60.	80.		39	40	44	45	40	41	45	46	40	42	46	47	41	43	47
60.	100.		49	50	55	56	50	51	55	57	50	52	56	58	51	53	58
100.	100.		80	82	89	90	81	83	90	92	82	84	91	93	83	86	94

QUANTITY OF LUMINAIRES