



LTL NUMBER: 07236

DATE: 02-19-2003

PREPARED FOR: PRECISION ARCHITECTURAL LIGHTING

CATALOG NUMBER: TRSO2-SP-4-X-BW-X-120-T8

LUMINAIRE: EXTRUDED ALUMINUM HOUSING, FORMED SPECULAR ALUMINUM REFLECTORS, 12 CELL, 1 1/2" DEEP, FORMED WHITE ENAMEL ALUMINUM LOUVER BELOW LAMPS.

LAMPS: TWO 32 WATT LINEAR FLUORESCENT T8 LAMPS RATED AT 2850 LUMENS EACH.

LAMP CATALOG NUMBER: PHILIPS F32T8/TL841

BALLAST: ONE UNIVERSAL LIGHTING TECHNOLOGIES B232I120RH-A

MOUNTING: PENDENT

LUMEN TO CANDELA RATIO USED = 9.18

TOTAL INPUT WATTS = 57.7 AT 120.0 VOLTS

THE 0 DEGREE PLANE IS PARALLEL WITH THE LAMPS.

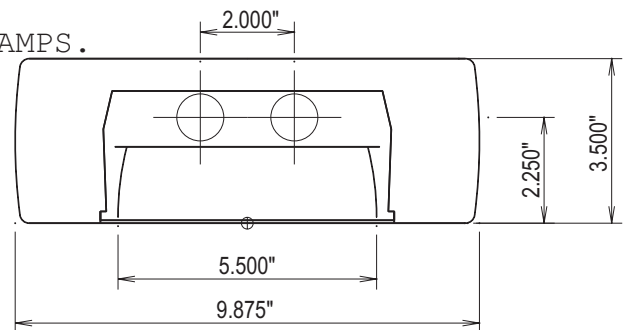
#07236

CANDELA DISTRIBUTION

	0.0	22.5	45.0	67.5	90.0
0	928	928	928	928	928
5	936	956	984	996	1005
15	932	1025	1142	1218	1247
25	863	1027	1231	1354	1397
35	774	978	1172	1294	1355
45	590	853	990	1086	1166
55	467	639	734	826	895
65	293	375	431	469	502
75	148	153	162	174	180
85	46	47	49	50	54
90	0	0	0	0	0

FLUX

95
318
548
704
734
643
414
176
53



ZONAL LUMEN SUMMARY

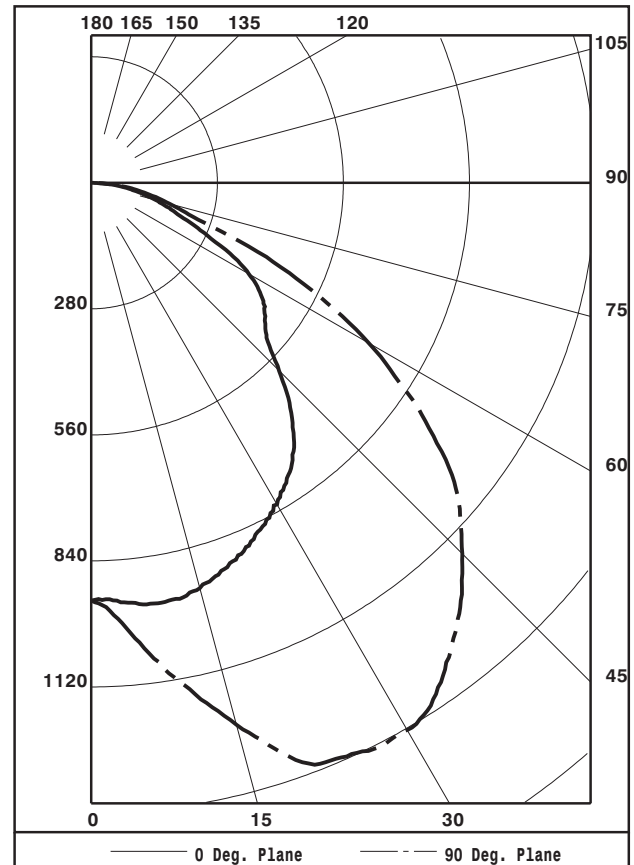
ZONE	LUMENS	%LAMP	%FIXT
0- 30	962	16.9	26.1
0- 40	1665	29.2	45.2
0- 60	3042	53.4	82.5
0- 90	3686	64.7	100.0
90-180	0	0.0	0.0
0-180	3686	64.7	100.0

TOTAL LUMINAIRE EFFICIENCY: 64.7%

CIE TYPE: DIRECT
 PLANE: 0-DEG 90-DEG
 SPACING CRITERIA: 1.3 1.9
 SHIELDING ANGLES: 21 23
 LUMINOUS LENGTH: 48.000 5.500

LUMINANCE IN CANDELA PER SQUARE METER

ANGLE IN DEG	AVERAGE 0-DEG	AVERAGE 45-DEG	AVERAGE 90-DEG
0	5448.	5448.	5448.
45	4898.	8220.	9681.
55	4780.	7513.	9161.
65	4070.	5987.	6974.
75	3357.	3675.	4083.
85	3099.	3301.	3637.



TESTED BY HERSCHEL SCHRECK
 CHECKED BY MIKE GRATHER



LTL NUMBER: 07236

DATE: 02-19-2003

PREPARED FOR: PRECISION ARCHITECTURAL LIGHTING

COEFFICIENTS OF UTILIZATION - ZONAL CAVITY METHOD
EFFECTIVE FLOOR CAVITY REFLECTANCE 0.20

Table with 17 columns: RC, RW, and 5 groups of 3 columns representing different cavity heights (80, 70, 50, 30, 10) and a final column for 0. Rows 0-10 represent different mounting heights.

CANDELA DISTRIBUTION

Table with 6 columns representing beam angles from 0.0 to 90.0 degrees. Rows 0-90 represent lumen values at each angle.

ZONAL LUMEN SUMMARY

Table with 3 columns representing beam angle ranges (e.g., 0-5, 5-10) and corresponding lumen values.

THIS TEST WAS CONDUCTED USING RELATIVE PHOTOMETRY TECHNIQUES ACCORDING TO STANDARD IESNA PROCEDURES. THE USER MUST THEREFORE USE CAUTION IN THE FOLLOWING SITUATIONS: 1) THIS TEST WAS PERFORMED USING A SPECIFIC BALLAST/LAMP COMBINATION. EXTRAPOLATION OF THESE DATA FOR OTHER BALLAST/LAMP COMBINATIONS MAY PRODUCE ERRONEOUS RESULTS. 2) ACCORDING TO IESNA PROCEDURES, THE BALLAST(S) AND LAMP(S) ARE PRESUMED TO PRODUCE 100% OF RATED OUTPUT. AN APPROPRIATE BALLAST FACTOR MUST BE APPLIED TO THE LUMEN OUTPUT RATINGS AND LUMINOUS INTENSITY VALUES GIVEN. 3) THIS TEST WAS CONDUCTED IN A CONTROLLED LABORATORY ENVIRONMENT WHERE THE AMBIENT TEMPERATURE WAS HELD AT 25 C ± 1 C. FIELD PERFORMANCE MAY DIFFER PARTICULARLY IN REGARDS TO CHANGE IN LUMINOUS OUTPUT AS A RESULT OF DIFFERENCE IN AMBIENT TEMPERATURE AND METHOD OF MOUNTING THE LUMINAIRE.



LUMINAIRE TESTING LABORATORY, INC.



905 Harrison Street · Allentown, PA 18103 · (610) 770-1044 · Fax (610) 770-8912 · www.LuminaireTesting.com

INITIAL ILLUMINATION OF 50 FOOTCANDLES USING LTL TEST NUMBER 07236
 LUMINAIRE SUSPENSION LENGTH = 1.5
 WORKING PLANE HEIGHT = 2.50
 FLOOR REFLECTANCE = 20

ROOM HT		8				9				10				12			
CEIL RF		80		70		80		70		80		70		80		70	
WALL RF		70	50	50	30	70	50	50	30	70	50	50	30	70	50	50	30
WIDTH	LENGTH																
10.	10.	2	2	2	3	2	3	3	3	2	3	3	3	3	3	3	4
10.	15.	3	3	3	3	3	3	3	4	3	4	4	4	4	4	4	5
15.	20.	5	5	5	5	5	5	5	6	5	6	6	6	6	6	7	7
15.	30.	7	7	7	8	7	7	8	8	7	8	8	9	8	9	9	10
20.	20.	6	6	6	7	6	7	7	7	6	7	7	8	7	8	8	9
20.	30.	8	9	9	9	9	9	9	10	9	10	10	11	10	11	11	12
20.	40.	11	11	12	12	11	12	12	13	11	12	13	14	12	14	14	15
20.	60.	16	17	17	18	16	17	18	18	17	18	18	19	18	19	20	21
30.	30.	12	13	13	13	12	13	13	14	13	14	14	15	13	15	15	16
30.	40.	16	16	17	17	16	17	17	18	16	17	18	19	17	19	19	20
30.	50.	19	20	20	21	20	21	21	22	20	21	22	23	21	23	23	25
30.	60.	23	24	24	25	23	24	25	26	24	25	26	27	25	27	27	29
60.	60.	44	45	46	47	44	46	47	48	45	47	48	49	46	49	50	52
60.	80.	58	59	60	62	58	60	61	63	59	61	63	64	61	63	65	67
60.	100.	72	73	75	76	73	74	76	78	73	76	77	79	75	78	80	83
100.	100.	118	120	123	124	119	121	124	126	120	123	126	128	122	126	129	132

QUANTITY OF LUMINAIRES