



LTL NUMBER: 07103

DATE: 11-25-2002

PREPARED FOR: PRECISION ARCHITECTURAL LIGHTING

CATALOG NUMBER: AR9300 2LP-D/I-4-C-OP/BW-X-120-T8

LUMINAIRE: EXTRUDED ALUMINUM HOUSING, FORMED SPECULAR ALUMINUM REFLECTORS BESIDE LAMPS, 12 CELL, 1 1/2" DEEP, FORMED WHITE ENAMEL ALUMINUM LOUVER BELOW LAMPS, OPEN TOP.

LAMPS: TWO PHILIPS F32T8/TL841 RATED AT 2850 LUMENS EACH.

BALLAST: ONE ADVANCE REL-2P32-SC

MOUNTING: PENDENT

LUMEN TO CANDELA RATIO USED = 9.18

TOTAL INPUT WATTS = 59.7 AT 120.0 VOLTS

THE 0 DEGREE PLANE IS PARALLEL WITH THE LAMPS.

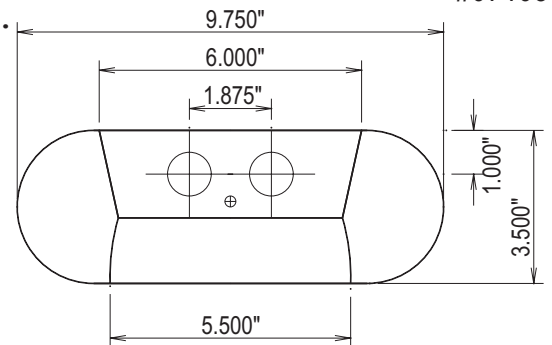
#07103

CANDELA DISTRIBUTION

	0.0	22.5	45.0	67.5	90.0
0	728	728	728	728	728
5	723	727	730	729	733
15	670	686	714	741	752
25	595	622	689	761	796
35	496	545	656	670	680
45	390	459	493	486	505
55	275	350	330	376	368
65	157	182	186	147	157
75	74	81	90	102	111
85	21	21	23	24	29
90	0	0	0	0	0
95	33	88	52	27	16
105	155	327	437	466	465
115	291	409	638	717	745
125	413	500	666	833	886
135	521	579	685	777	820
145	610	643	723	771	791
155	677	689	733	765	783
165	721	722	739	751	758
175	743	740	746	742	743
180	745	745	745	745	745

FLUX

69
202
319
384
366
308
173
98
26
75
399
564
589
525
444
337
209
71



ZONAL LUMEN SUMMARY

ZONE	LUMENS	%LAMP	%FIXT
0- 30	590	10.4	11.4
0- 40	974	17.1	18.9
0- 60	1648	28.9	32.0
0- 90	1945	34.1	37.7
90-120	1038	18.2	20.1
90-130	1626	28.5	31.5
90-150	2595	45.5	50.3
90-180	3212	56.4	62.3
0-180	5157	90.5	100.0

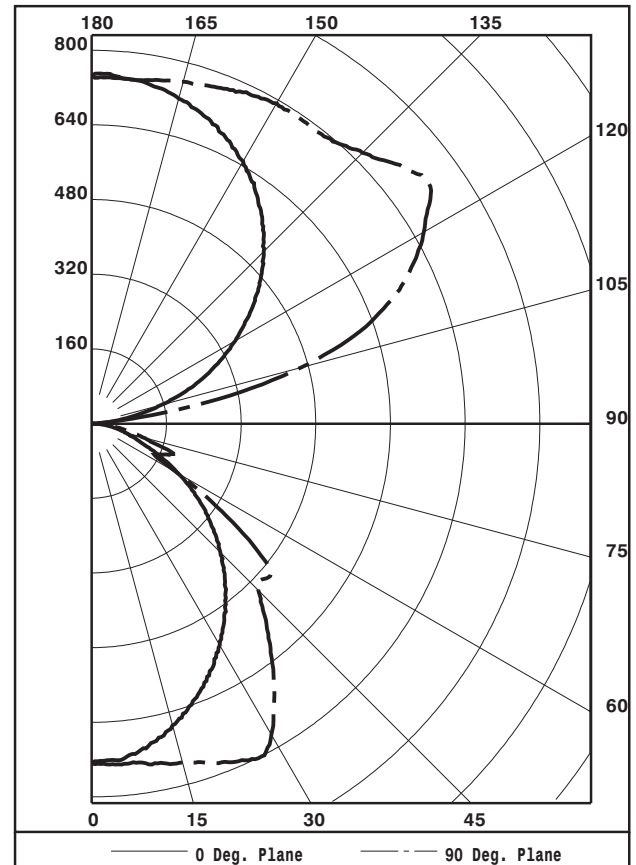
TOTAL LUMINAIRE EFFICIENCY: 90.5%

CIE TYPE: SEMI-INDIRECT

PLANE: 0-DEG 90-DEG

SPACING CRITERIA: 1.1 1.4

SHIELDING ANGLES: 21 27



TESTED BY HERSCHEL SCHRECK
 CHECKED BY MIKE GRATHER



LUMINAIRE TESTING LABORATORY, INC.



905 Harrison Street · Allentown, PA 18103 · (610) 770-1044 · Fax (610) 770-8912 · www.LuminaireTesting.com

LTL NUMBER: 07103

DATE: 11-25-2002

PREPARED FOR: PRECISION ARCHITECTURAL LIGHTING

COEFFICIENTS OF UTILIZATION - ZONAL CAVITY METHOD
EFFECTIVE FLOOR CAVITY REFLECTANCE 0.20

Table with columns RC, RW, and rows for angles 0-10 and reflectance values 80, 70, 50, 30, 10, 0.

PLANE: 0-DEG 90-DEG
LUMINOUS LENGTH: 48.000 5.500

Table with columns ANGLE IN DEG, AVERAGE 0-DEG, AVERAGE 45-DEG, AVERAGE 90-DEG.



LTL NUMBER: 07103

DATE: 11-25-2002

PREPARED FOR: PRECISION ARCHITECTURAL LIGHTING

CANDELA DISTRIBUTION

ZONAL LUMEN SUMMARY

Table with 6 columns: Candela values (0-180) and Zonal Lumen Summary (0-180). The table shows a distribution of light intensity across different zones, with values generally decreasing as the distance from the center increases.

THIS TEST WAS CONDUCTED USING RELATIVE PHOTOMETRY TECHNIQUES ACCORDING TO STANDARD IESNA PROCEDURES. THE USER MUST THEREFORE USE CAUTION IN THE FOLLOWING SITUATIONS: 1) THIS TEST WAS PERFORMED USING A SPECIFIC BALLAST/LAMP COMBINATION. EXTRAPOLATION OF THESE DATA FOR OTHER BALLAST/LAMP COMBINATIONS MAY PRODUCE ERRONEOUS RESULTS. 2) ACCORDING TO IESNA PROCEDURES, THE BALLAST(S) AND LAMP(S) ARE PRESUMED TO PRODUCE 100% OF RATED OUTPUT. AN APPROPRIATE BALLAST FACTOR MUST BE APPLIED TO THE LUMEN OUTPUT RATINGS AND LUMINOUS INTENSITY VALUES GIVEN. 3) THIS TEST WAS CONDUCTED IN A CONTROLLED LABORATORY ENVIRONMENT WHERE THE AMBIENT TEMPERATURE WAS HELD AT 25 C 1 C. FIELD PERFORMANCE MAY DIFFER PARTICULARLY IN REGARDS TO CHANGE IN LUMINOUS OUTPUT AS A RESULT OF DIFFERENCE IN AMBIENT TEMPERATURE AND METHOD OF MOUNTING THE LUMINAIRE.



LUMINAIRE TESTING LABORATORY, INC.



905 Harrison Street · Allentown, PA 18103 · (610) 770-1044 · Fax (610) 770-8912 · www.LuminaireTesting.com

INITIAL ILLUMINATION OF 50 FOOTCANDLES USING LTL TEST NUMBER 07103
 LUMINAIRE SUSPENSION LENGTH = 1.5
 WORKING PLANE HEIGHT = 2.50
 FLOOR REFLECTANCE = 20

ROOM HT		8				9				10				12				
CEIL RF		80		70		80		70		80		70		80		70		
WALL RF		70	50	50	30	70	50	50	30	70	50	50	30	70	50	50	30	
WIDTH	LENGTH																	
10.	10.		2	2	2	2	2	2	2	3	2	2	3	3	2	3	3	4
10.	15.		2	3	3	3	3	3	3	3	3	3	3	4	3	4	4	5
15.	20.		4	4	5	5	4	5	5	5	4	5	5	6	5	5	6	7
15.	30.		5	6	6	7	6	6	7	7	6	7	7	8	6	7	8	9
20.	20.		5	5	6	6	5	6	6	7	5	6	6	7	6	7	7	8
20.	30.		7	7	8	9	7	8	9	9	7	8	9	10	8	9	10	11
20.	40.		9	10	10	11	9	10	11	12	10	10	11	12	10	11	12	14
20.	60.		13	14	15	16	13	14	16	17	14	15	16	17	15	16	18	19
30.	30.		10	10	11	12	10	11	12	13	10	11	12	13	11	12	13	15
30.	40.		13	13	15	15	13	14	15	16	14	14	16	17	14	16	17	18
30.	50.		16	17	18	19	16	17	19	20	17	18	19	20	17	19	21	22
30.	60.		19	20	21	22	19	20	22	23	20	21	23	24	20	22	24	26
60.	60.		36	37	41	42	36	38	42	43	37	39	42	44	38	40	44	46
60.	80.		47	49	53	55	48	50	54	56	49	51	55	57	50	52	58	60
60.	100.		59	60	66	67	60	61	67	69	60	62	69	71	62	65	71	74
100.	100.		97	98	108	110	98	100	110	111	98	101	111	113	100	104	114	117

QUANTITY OF LUMINAIRES