



LTL NUMBER: 07101

DATE: 11-25-2002

PREPARED FOR: PRECISION ARCHITECTURAL LIGHTING

CATALOG NUMBER: AR9300 2LP-D/I-4-C-OP/PB-X-120-T8

LUMINAIRE: EXTRUDED ALUMINUM HOUSING, FORMED SPECULAR ALUMINUM REFLECTORS  
 BESIDE LAMPS, 12 CELL, 1 1/2" DEEP, FORMED SEMI-SPECULAR  
 ALUMINUM LOUVER BELOW LAMPS, OPEN TOP.

LAMPS: TWO PHILIPS F32T8/TL841 RATED AT 2850 LUMENS EACH.

BALLAST: ONE ADVANCE REL-2P32-SC

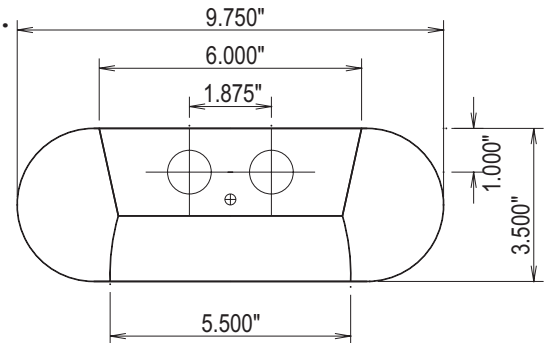
MOUNTING: PENDENT

LUMEN TO CANDELA RATIO USED = 9.18

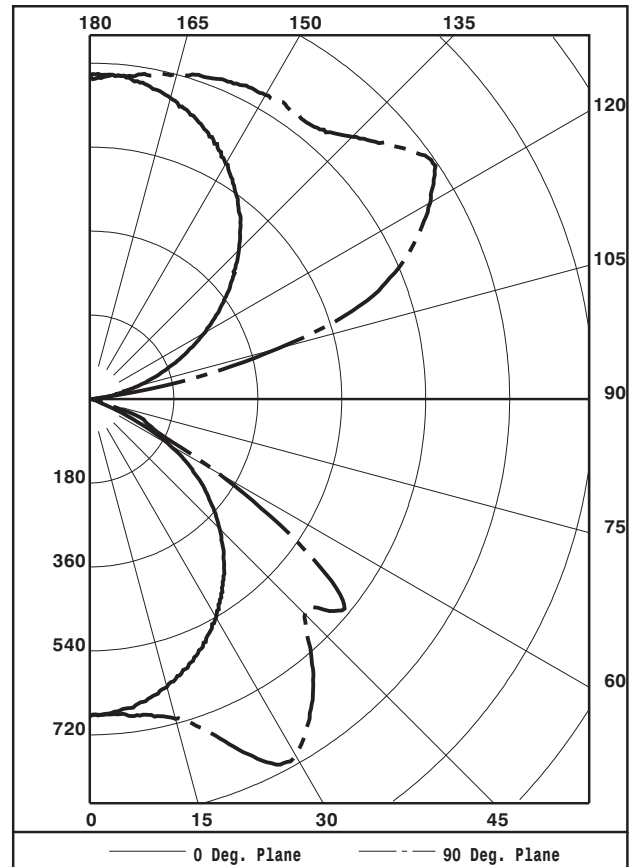
TOTAL INPUT WATTS = 59.7 AT 120.0 VOLTS

THE 0 DEGREE PLANE IS PARALLEL WITH THE LAMPS.

#07101



CANDELA DISTRIBUTION						FLUX
0.0	22.5	45.0	67.5	90.0		
0	680	680	680	680	680	
5	672	677	682	678	679	65
15	639	651	674	696	710	191
25	577	607	690	802	851	326
35	494	559	753	808	822	434
45	393	521	631	633	652	448
55	270	421	437	549	559	402
65	100	162	193	142	148	164
75	9	15	19	25	25	26
85	0	0	0	0	0	2
90	0	0	0	0	0	
95	19	70	14	0	0	52
105	105	315	445	442	418	375
115	224	364	641	733	760	549
125	342	444	627	823	893	559
135	452	522	642	741	795	489
145	543	591	676	734	753	415
155	619	644	695	732	746	318
165	668	678	700	714	722	198
175	696	692	697	696	697	66
180	692	692	692	692	692	



ZONAL LUMEN SUMMARY			
ZONE	LUMENS	%LAMP	%FIXT
0- 30	582	10.2	11.5
0- 40	1017	17.8	20.0
0- 60	1867	32.8	36.8
0- 90	2058	36.1	40.5
90-120	975	17.1	19.2
90-130	1535	26.9	30.2
90-150	2439	42.8	48.0
90-180	3021	53.0	59.5
0-180	5080	89.1	100.0

TOTAL LUMINAIRE EFFICIENCY: 89.1%

CIE TYPE: GENERAL DIFFUSE

PLANE: 0-DEG 90-DEG

SPACING CRITERIA: 1.2 1.7

SHIELDING ANGLES: 21 27

TESTED BY HERSCHEL SCHRECK  
 CHECKED BY MIKE GRATHER



LUMINAIRE TESTING LABORATORY, INC.



905 Harrison Street · Allentown, PA 18103 · (610) 770-1044 · Fax (610) 770-8912 · www.LuminaireTesting.com

LTL NUMBER: 07101

DATE: 11-25-2002

PREPARED FOR: PRECISION ARCHITECTURAL LIGHTING

COEFFICIENTS OF UTILIZATION - ZONAL CAVITY METHOD
EFFECTIVE FLOOR CAVITY REFLECTANCE 0.20

Table with columns RC, RW, and rows for angles 0-10 and reflectance values 80, 70, 50, 30, 10, 0.

PLANE: 0-DEG 90-DEG
LUMINOUS LENGTH: 48.000 5.500

Table with columns ANGLE IN DEG, AVERAGE 0-DEG, AVERAGE 45-DEG, AVERAGE 90-DEG.



LTL NUMBER: 07101

DATE: 11-25-2002

PREPARED FOR: PRECISION ARCHITECTURAL LIGHTING

CANDELA DISTRIBUTION

ZONAL LUMEN SUMMARY

Table with 6 columns: Candela values (0.0, 22.5, 45.0, 67.5, 90.0) and Zonal Lumen Summary ranges (0-5 to 175-180) with corresponding values.

THIS TEST WAS CONDUCTED USING RELATIVE PHOTOMETRY TECHNIQUES ACCORDING TO STANDARD IESNA PROCEDURES. THE USER MUST THEREFORE USE CAUTION IN THE FOLLOWING SITUATIONS: 1) THIS TEST WAS PERFORMED USING A SPECIFIC BALLAST/LAMP COMBINATION. EXTRAPOLATION OF THESE DATA FOR OTHER BALLAST/LAMP COMBINATIONS MAY PRODUCE ERRONEOUS RESULTS. 2) ACCORDING TO IESNA PROCEDURES, THE BALLAST(S) AND LAMP(S) ARE PRESUMED TO PRODUCE 100% OF RATED OUTPUT. AN APPROPRIATE BALLAST FACTOR MUST BE APPLIED TO THE LUMEN OUTPUT RATINGS AND LUMINOUS INTENSITY VALUES GIVEN. 3) THIS TEST WAS CONDUCTED IN A CONTROLLED LABORATORY ENVIRONMENT WHERE THE AMBIENT TEMPERATURE WAS HELD AT 25 C 1 C. FIELD PERFORMANCE MAY DIFFER PARTICULARLY IN REGARDS TO CHANGE IN LUMINOUS OUTPUT AS A RESULT OF DIFFERENCE IN AMBIENT TEMPERATURE AND METHOD OF MOUNTING THE LUMINAIRE.



LUMINAIRE TESTING LABORATORY, INC.



905 Harrison Street · Allentown, PA 18103 · (610) 770-1044 · Fax (610) 770-8912 · www.LuminaireTesting.com

INITIAL ILLUMINATION OF 50 FOOTCANDLES USING LTL TEST NUMBER 07101  
 LUMINAIRE SUSPENSION LENGTH = 1.5  
 WORKING PLANE HEIGHT = 2.50  
 FLOOR REFLECTANCE = 20

ROOM HT	CEIL RF	8				9				10				12			
		80	70	50	30	80	70	50	30	80	70	50	30	80	70	50	30
WALL RF		70	50	50	30	70	50	50	30	70	50	50	30	70	50	50	30
WIDTH	LENGTH																
10.	10.	2	2	2	2	2	2	2	3	2	2	3	3	2	3	3	4
10.	15.	2	3	3	3	3	3	3	3	3	3	3	4	3	4	4	5
15.	20.	4	4	5	5	4	5	5	5	4	5	5	6	5	5	6	7
15.	30.	6	6	6	7	6	6	7	7	6	7	7	8	6	7	8	9
20.	20.	5	5	6	6	5	6	6	7	5	6	6	7	6	7	7	8
20.	30.	7	7	8	8	7	8	8	9	7	8	9	10	8	9	10	11
20.	40.	9	10	10	11	9	10	11	11	10	10	11	12	10	11	12	13
20.	60.	13	14	15	16	13	14	16	16	14	15	16	17	15	16	18	19
30.	30.	10	10	11	12	10	11	12	12	11	11	12	13	11	12	13	14
30.	40.	13	14	15	15	13	14	15	16	14	14	16	17	14	16	17	18
30.	50.	16	17	18	19	16	17	19	19	17	18	19	20	17	19	20	22
30.	60.	19	20	21	22	19	20	22	23	20	21	23	24	21	22	24	26
60.	60.	36	37	41	42	37	38	42	43	37	39	42	44	38	40	44	46
60.	80.	48	49	53	55	48	50	54	56	49	51	55	57	50	53	57	60
60.	100.	59	61	66	68	60	62	67	69	61	63	69	70	62	65	71	74
100.	100.	97	99	108	110	98	100	110	112	99	101	111	113	101	104	114	117

QUANTITY OF LUMINAIRES