



LTL NUMBER: 07333

DATE: 04-09-2003

PREPARED FOR: PRECISION ARCHITECTURAL LIGHTING

CATALOG NUMBER: TRSO2-X-4-X-OP/PB-X-120-T5HO

LUMINAIRE: EXTRUDED ALUMINUM HOUSING, FORMED SPECULAR ALUMINUM REFLECTORS
 BESIDE LAMPS, 12 CELL, 1 1/2" DEEP FORMED SPECULAR ALUMINUM
 LOUVER WITH TRANSLUCENT WHITE ACRYLIC OVERLAY, OPEN TOP.

LAMPS: TWO 54 WATT HIGH OUTPUT T5 LINEAR FLUORESCENT LAMPS RATED AT 4400 LUMENS EACH.

LAMP CATALOG NUMBER: SYLVANIA FP54/841/HO

BALLAST: ONE UNIVERSAL LIGHTING TECHNOLOGIES B254PUNV-D

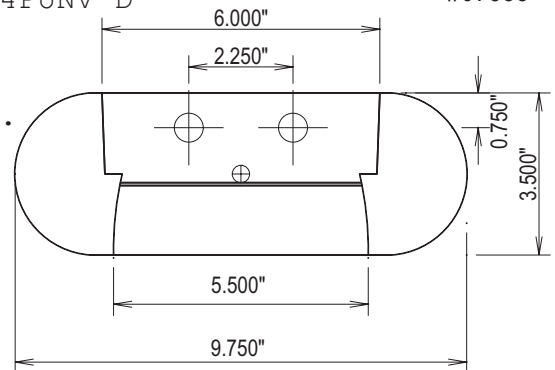
MOUNTING: PENDENT

LUMEN TO CANDELA RATIO USED = 9.18

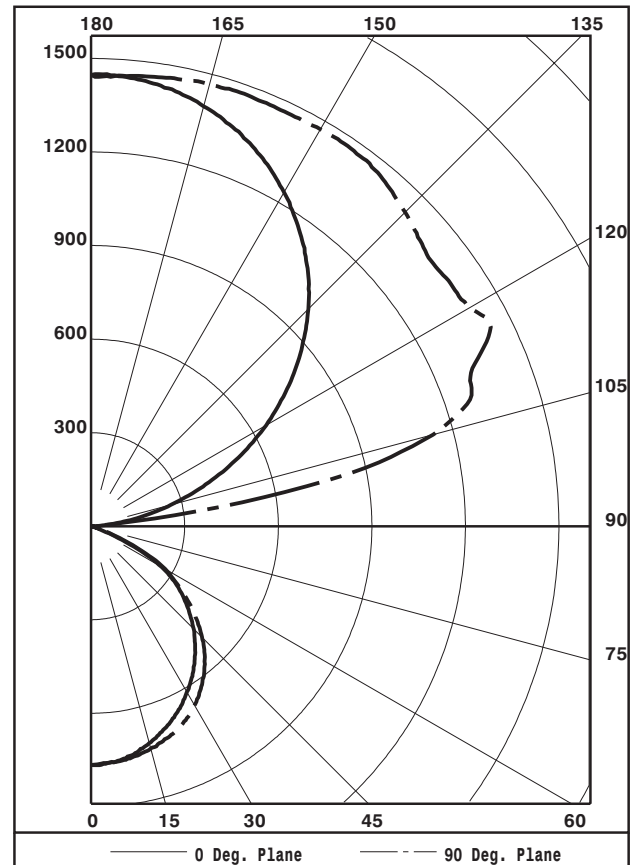
TOTAL INPUT WATTS =123.9 AT 120.0 VOLTS

THE 0 DEGREE PLANE IS PARALLEL WITH THE LAMPS.

#07333



CANDELA DISTRIBUTION						FLUX
0.0	22.5	45.0	67.5	90.0		
0	766	766	766	766	766	
5	760	761	763	759	759	72
15	720	723	731	737	738	206
25	656	660	672	687	697	311
35	570	576	595	608	620	371
45	464	472	485	489	503	371
55	341	343	337	335	350	303
65	138	153	155	158	158	150
75	15	14	16	15	14	21
85	3	5	4	4	4	4
90	0	0	0	0	0	
95	52	232	124	48	30	186
105	264	552	882	1096	1135	838
115	521	747	1042	1334	1399	999
125	767	929	1137	1308	1389	998
135	985	1090	1267	1380	1424	955
145	1162	1231	1340	1435	1469	835
155	1302	1342	1407	1448	1468	645
165	1394	1411	1443	1459	1468	407
175	1443	1445	1454	1450	1450	138
180	1447	1447	1447	1447	1447	



ZONAL LUMEN SUMMARY	ZONE	LUMENS	%LAMP	%FIXT
0- 30		590	6.7	7.6
0- 40		961	10.9	12.3
0- 60		1635	18.6	20.9
0- 90		1811	20.6	23.2
90-120		2023	23.0	25.9
90-130		3021	34.3	38.7
90-150		4811	54.7	61.6
90-180		6001	68.2	76.8
0-180		7811	88.8	100.0

TOTAL LUMINAIRE EFFICIENCY: 88.8%
 CIE TYPE: SEMI-INDIRECT
 PLANE: 0-DEG 90-DEG
 SPACING CRITERIA: 1.2 1.3

TESTED BY HERSCHEL SCHRECK
 CHECKED BY MIKE GRATHER



LUMINAIRE TESTING LABORATORY, INC.



905 Harrison Street · Allentown, PA 18103 · (610) 770-1044 · Fax (610) 770-8912 · www.LuminaireTesting.com

LTL NUMBER: 07333

DATE: 04-09-2003

PREPARED FOR: PRECISION ARCHITECTURAL LIGHTING

COEFFICIENTS OF UTILIZATION - ZONAL CAVITY METHOD
EFFECTIVE FLOOR CAVITY REFLECTANCE 0.20

Table with columns RC, RW, and rows for cavity heights 80, 70, 50, 30, 10, 0. Each row contains 18 numerical values representing utilization coefficients.

PLANE: 0-DEG 90-DEG
LUMINOUS LENGTH: 47.750 5.500

Table with columns ANGLE IN DEG, AVERAGE 0-DEG, AVERAGE 45-DEG, AVERAGE 90-DEG. Rows show luminance values for angles 0, 45, 55, 65, 75, 85.



LTL NUMBER: 07333

DATE: 04-09-2003

PREPARED FOR: PRECISION ARCHITECTURAL LIGHTING

CANDELA DISTRIBUTION						ZONAL LUMEN SUMMARY	
	0.0	22.5	45.0	67.5	90.0		
0	766	766	766	766	766	0- 5	18.
5	760	761	763	759	759	5- 10	54.
10	746	746	752	752	753	10- 15	88.
15	720	723	731	737	738	15- 20	118.
20	690	694	703	713	721	20- 25	145.
25	656	660	672	687	697	25- 30	166.
30	614	619	636	651	664	30- 35	181.
35	570	576	595	608	620	35- 40	189.
40	519	527	544	553	566	40- 45	190.
45	464	472	485	489	503	45- 50	181.
50	403	411	416	415	429	50- 55	164.
55	341	343	337	335	350	55- 60	139.
60	261	263	251	254	274	60- 65	102.
65	138	153	155	158	158	65- 70	49.
70	31	42	66	57	54	70- 75	14.
75	15	14	16	15	14	75- 80	7.
80	7	8	8	8	8	80- 85	4.
85	3	5	4	4	4	85- 90	0.
90	0	0	0	0	0	90- 95	7.
95	52	232	124	48	30	95-100	179.
100	149	447	677	684	630	100-105	381.
105	264	552	882	1096	1135	105-110	457.
110	390	625	1016	1206	1299	110-115	490.
115	521	747	1042	1334	1399	115-120	509.
120	648	847	1068	1309	1405	120-125	502.
125	767	929	1137	1308	1389	125-130	496.
130	880	1008	1209	1338	1391	130-135	487.
135	985	1090	1267	1380	1424	135-140	468.
140	1080	1166	1309	1417	1454	140-145	438.
145	1162	1231	1340	1435	1469	145-150	397.
150	1237	1292	1376	1440	1470	150-155	349.
155	1302	1342	1407	1448	1468	155-160	296.
160	1353	1382	1428	1456	1470	160-165	236.
165	1394	1411	1443	1459	1468	165-170	171.
170	1426	1434	1454	1457	1460	170-175	104.
175	1443	1445	1454	1450	1450	175-180	35.
180	1447	1447	1447	1447	1447		

THIS TEST WAS CONDUCTED USING RELATIVE PHOTOMETRY TECHNIQUES ACCORDING TO STANDARD IESNA PROCEDURES. THE USER MUST THEREFORE USE CAUTION IN THE FOLLOWING SITUATIONS: 1) THIS TEST WAS PERFORMED USING A SPECIFIC BALLAST/LAMP COMBINATION. EXTRAPOLATION OF THESE DATA FOR OTHER BALLAST/LAMP COMBINATIONS MAY PRODUCE ERRONEOUS RESULTS. 2) ACCORDING TO IESNA PROCEDURES, THE BALLAST(S) AND LAMP(S) ARE PRESUMED TO PRODUCE 100% OF RATED OUTPUT. AN APPROPRIATE BALLAST FACTOR MUST BE APPLIED TO THE LUMEN OUTPUT RATINGS AND LUMINOUS INTENSITY VALUES GIVEN. 3) THIS TEST WAS CONDUCTED IN A CONTROLLED LABORATORY ENVIRONMENT WHERE THE AMBIENT TEMPERATURE WAS HELD AT 25 C 1 C. FIELD PERFORMANCE MAY DIFFER PARTICULARLY IN REGARDS TO CHANGE IN LUMINOUS OUTPUT AS A RESULT OF DIFFERENCE IN AMBIENT TEMPERATURE AND METHOD OF MOUNTING THE LUMINAIRE.



LUMINAIRE TESTING LABORATORY, INC.



905 Harrison Street · Allentown, PA 18103 · (610) 770-1044 · Fax (610) 770-8912 · www.LuminaireTesting.com

INITIAL ILLUMINATION OF 50 FOOTCANDLES USING LTL TEST NUMBER 07333
 LUMINAIRE SUSPENSION LENGTH = 1.5
 WORKING PLANE HEIGHT = 2.50
 FLOOR REFLECTANCE = 20

ROOM HT	CEIL RF	8				9				10				12							
		80	70	50	30	80	70	50	30	80	70	50	30	80	70	50	30				
WALL RF		70	50	50	30	70	50	50	30	70	50	50	30	70	50	50	30				
WIDTH	LENGTH																				
10.	10.	1	2	2	2	1	2	2	2	2	2	2	2	2	2	2	3	2	2	2	3
10.	15.	2	2	2	2	2	2	2	3	2	2	2	3	2	3	3	3	2	3	3	3
15.	20.	3	3	3	4	3	3	4	4	3	3	4	4	3	4	4	5	3	4	4	5
15.	30.	4	4	5	5	4	4	5	5	4	5	5	6	5	5	6	6	5	5	6	6
20.	20.	4	4	4	4	4	4	4	5	4	4	5	5	4	5	5	6	4	5	5	6
20.	30.	5	5	6	6	5	5	6	6	5	6	6	7	6	6	7	8	6	6	7	8
20.	40.	6	7	7	8	6	7	8	8	7	7	8	9	7	8	9	10	7	8	9	10
20.	60.	9	10	11	11	9	10	11	12	10	10	12	12	10	11	12	14	10	11	12	14
30.	30.	7	7	8	8	7	8	8	9	7	8	9	9	8	9	9	10	8	9	9	10
30.	40.	9	9	10	11	9	10	11	11	9	10	11	12	10	11	12	13	10	11	12	13
30.	50.	11	11	13	13	11	12	13	14	11	12	14	14	12	13	15	16	12	13	15	16
30.	60.	13	14	15	16	13	14	16	16	14	14	16	17	14	15	17	18	14	15	17	18
60.	60.	25	25	29	29	25	26	29	30	25	27	30	31	26	28	31	32	26	28	31	32
60.	80.	33	33	37	38	33	34	38	39	33	35	39	40	34	36	40	42	34	36	40	42
60.	100.	40	41	46	47	41	42	47	48	41	43	48	49	42	44	50	52	42	44	50	52
100.	100.	66	67	76	77	67	68	77	78	67	69	78	79	69	71	80	82	69	71	80	82

QUANTITY OF LUMINAIRES