



LTL NUMBER: 07330

DATE: 04-09-2003

PREPARED FOR: PRECISION ARCHITECTURAL LIGHTING

CATALOG NUMBER: TRS01-X-4-X-OP/PB-X-120-T5HO

LUMINAIRE: EXTRUDED ALUMINUM HOUSING, FORMED SPECULAR ALUMINUM REFLECTORS BESIDE LAMP, 12 CELL, 1 1/2" DEEP FORMED SPECULAR ALUMINUM LOUVER WITH TRANSLUCENT WHITE ACRYLIC OVERLAY, OPEN TOP.

LAMP: ONE 54 WATT HIGH OUTPUT T5 LINEAR FLUORESCENT LAMP RATED AT 4400 LUMENS.

LAMP CATALOG NUMBER: SYLVANIA FP54/841/HO

BALLAST: ONE UNIVERSAL LIGHTING TECHNOLOGIES B254PUNV-D

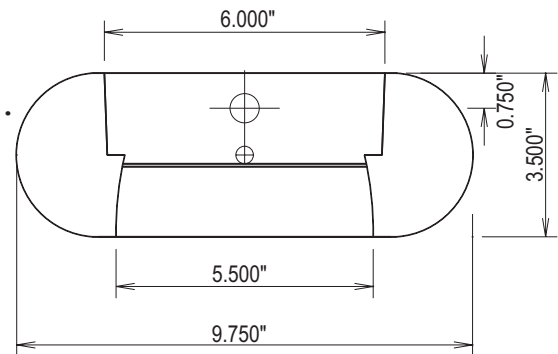
MOUNTING: PENDENT

#07330

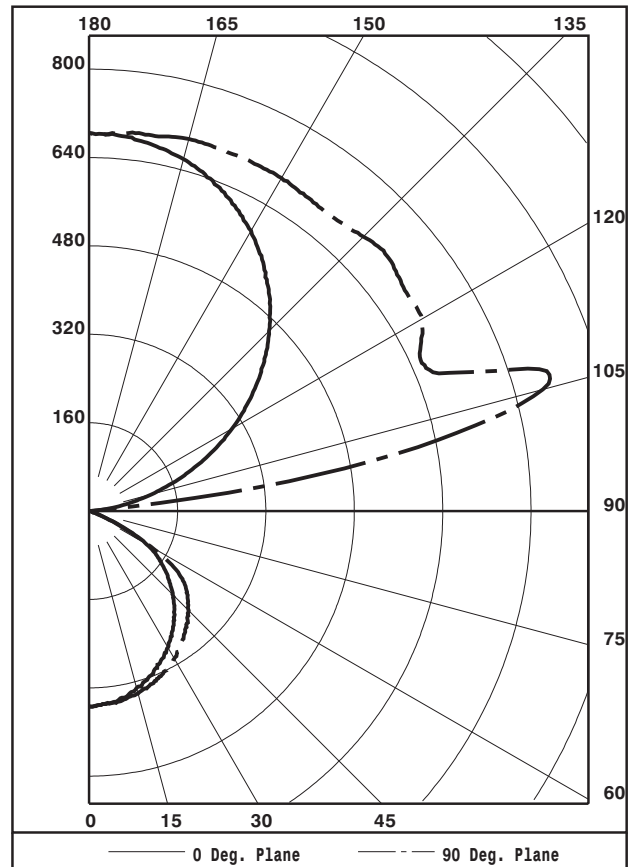
LUMEN TO CANDELA RATIO USED = 9.18

TOTAL INPUT WATTS = 63.1 AT 120.0 VOLTS

THE 0 DEGREE PLANE IS PARALLEL WITH THE LAMPS.



CANDELA DISTRIBUTION						FLUX
	0.0	22.5	45.0	67.5	90.0	
0	354	354	354	354	354	
5	350	352	353	350	351	33
15	331	334	337	340	342	95
25	303	303	310	317	321	143
35	264	265	274	284	292	172
45	213	219	229	243	255	178
55	156	162	171	185	199	155
65	62	75	78	59	55	68
75	6	7	7	6	7	10
85	0	0	0	0	0	0
90	0	0	0	0	0	0
95	22	154	106	27	14	141
105	117	275	481	796	851	518
115	238	350	517	626	660	485
125	357	429	565	664	697	490
135	461	511	592	668	702	456
145	549	580	633	675	692	393
155	614	633	665	686	697	305
165	660	668	683	691	697	192
175	682	682	685	684	686	65
180	684	684	684	684	684	



ZONAL LUMEN SUMMARY	ZONE	LUMENS	%LAMP	%FIXT
0- 30		272	6.2	7.0
0- 40		444	10.1	11.4
0- 60		777	17.7	19.9
0- 90		856	19.4	21.9
90-120		1144	26.0	29.3
90-130		1635	37.1	41.9
90-150		2483	56.4	63.7
90-180		3046	69.2	78.1
0-180		3902	88.7	100.0

TOTAL LUMINAIRE EFFICIENCY: 88.7%  
 CIE TYPE: SEMI-INDIRECT  
 PLANE: 0-DEG 90-DEG  
 SPACING CRITERIA: 1.2 1.3

TESTED BY HERSCHEL SCHRECK  
 CHECKED BY MIKE GRATHER



LUMINAIRE TESTING LABORATORY, INC.



905 Harrison Street · Allentown, PA 18103 · (610) 770-1044 · Fax (610) 770-8912 · www.LuminaireTesting.com

LTL NUMBER: 07330

DATE: 04-09-2003

PREPARED FOR: PRECISION ARCHITECTURAL LIGHTING

COEFFICIENTS OF UTILIZATION - ZONAL CAVITY METHOD
EFFECTIVE FLOOR CAVITY REFLECTANCE 0.20

Table with 19 columns (RC, RW, 80, 70, 50, 30, 10, 0) and 11 rows (0-10) showing utilization coefficients.

PLANE: 0-DEG 90-DEG
LUMINOUS LENGTH: 47.750 5.500

LUMINANCE IN CANDELA PER SQUARE METER

Table with 4 columns (ANGLE IN DEG, AVERAGE 0-DEG, AVERAGE 45-DEG, AVERAGE 90-DEG) and 6 rows (0, 45, 55, 65, 75, 85) showing average luminance values.



LTL NUMBER: 07330

DATE: 04-09-2003

PREPARED FOR: PRECISION ARCHITECTURAL LIGHTING

CANDELA DISTRIBUTION

ZONAL LUMEN SUMMARY

Table with 6 columns: Candela values (0-180) and Zonal Lumen Summary (0-180). The table shows a distribution of light intensity across different zones, with values generally decreasing as the distance from the center increases.

THIS TEST WAS CONDUCTED USING RELATIVE PHOTOMETRY TECHNIQUES ACCORDING TO STANDARD IESNA PROCEDURES. THE USER MUST THEREFORE USE CAUTION IN THE FOLLOWING SITUATIONS: 1) THIS TEST WAS PERFORMED USING A SPECIFIC BALLAST/LAMP COMBINATION. EXTRAPOLATION OF THESE DATA FOR OTHER BALLAST/LAMP COMBINATIONS MAY PRODUCE ERRONEOUS RESULTS. 2) ACCORDING TO IESNA PROCEDURES, THE BALLAST(S) AND LAMP(S) ARE PRESUMED TO PRODUCE 100% OF RATED OUTPUT. AN APPROPRIATE BALLAST FACTOR MUST BE APPLIED TO THE LUMEN OUTPUT RATINGS AND LUMINOUS INTENSITY VALUES GIVEN. 3) THIS TEST WAS CONDUCTED IN A CONTROLLED LABORATORY ENVIRONMENT WHERE THE AMBIENT TEMPERATURE WAS HELD AT 25 C 1 C. FIELD PERFORMANCE MAY DIFFER PARTICULARLY IN REGARDS TO CHANGE IN LUMINOUS OUTPUT AS A RESULT OF DIFFERENCE IN AMBIENT TEMPERATURE AND METHOD OF MOUNTING THE LUMINAIRE.



LUMINAIRE TESTING LABORATORY, INC.



905 Harrison Street · Allentown, PA 18103 · (610) 770-1044 · Fax (610) 770-8912 · www.LuminaireTesting.com

INITIAL ILLUMINATION OF 50 FOOTCANDLES USING LTL TEST NUMBER 07330  
 LUMINAIRE SUSPENSION LENGTH = 1.5  
 WORKING PLANE HEIGHT = 2.50  
 FLOOR REFLECTANCE = 20

ROOM HT		8				9				10				12				
CEIL RF		80		70		80		70		80		70		80		70		
WALL RF		70	50	50	30	70	50	50	30	70	50	50	30	70	50	50	30	
WIDTH	LENGTH																	
10.	10.		2	3	3	3	2	3	3	4	3	3	3	4	3	4	4	5
10.	15.		3	3	4	4	3	4	4	5	3	4	5	5	4	5	5	6
15.	20.		5	6	6	7	5	6	7	7	6	6	7	8	6	7	8	9
15.	30.		7	8	9	9	8	8	9	10	8	9	10	11	9	10	11	13
20.	20.		7	7	8	8	7	8	8	9	7	8	9	10	8	9	10	11
20.	30.		9	10	11	12	10	11	12	13	10	11	12	13	11	12	14	15
20.	40.		12	13	14	15	13	14	15	16	13	14	16	17	14	16	17	19
20.	60.		18	19	21	22	18	20	22	23	19	20	23	24	20	22	25	27
30.	30.		13	14	16	17	14	15	17	17	14	15	17	18	15	17	19	20
30.	40.		17	18	21	21	18	19	21	22	18	20	22	23	19	21	24	26
30.	50.		22	23	25	26	22	23	26	27	23	24	27	28	24	26	29	31
30.	60.		26	27	30	31	26	28	31	32	27	28	32	34	28	30	34	36
60.	60.		49	51	57	58	50	52	58	60	51	53	59	62	52	55	62	65
60.	80.		65	67	75	76	66	68	76	78	67	69	78	80	68	72	81	84
60.	100.		81	82	93	95	82	84	94	97	83	85	96	99	85	89	100	104
100.	100.		133	135	152	154	134	137	154	157	135	138	156	159	137	142	160	165

QUANTITY OF LUMINAIRES