



LTL NUMBER: 07115

DATE: 12-02-2002

PREPARED FOR: PRECISION ARCHITECTURAL LIGHTING

CATALOG NUMBER: AR9300 2LP-D/I-4-WM-OP/BW-X-120-T8

LUMINAIRE: EXTRUDED ALUMINUM HOUSING, FORMED SPECULAR ALUMINUM REFLECTORS BESIDE LAMPS, 12 CELL, 1 1/2" DEEP, FORMED WHITE ENAMEL ALUMINUM LOUVER BELOW LAMPS, OPEN TOP.

LAMPS: TWO PHILIPS F32T8/TL841 RATED AT 2850 LUMENS EACH.

BALLAST: ONE ADVANCE REL-2P32-SC

MOUNTING: WALL

LUMEN TO CANDELA RATIO USED = 9.18

TOTAL INPUT WATTS = 59.9 AT 120.0 VOLTS

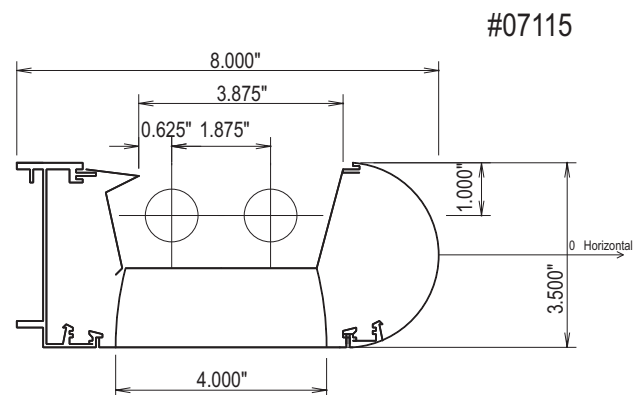
THE 0 DEGREE PLANE IS PERPENDICULAR TO THE LAMPS.

Table with columns: CANDELA DISTRIBUTION (0-180) and FLUX (82-77). Rows show light distribution data for various angles.

ZONAL LUMEN SUMMARY

Table with columns: ZONE, LUMENS, %LAMP, %FIXT. Rows show lumen and fixture percentages for various zones.

TOTAL LUMINAIRE EFFICIENCY: 87.5%
CIE TYPE: SEMI-INDIRECT
PLANE: 0-DEG 90-DEG 180-DEG
SPACING CRITERIA: 1.2 1.1 1.0
SHIELDING ANGLES: 30 21 30



#07115

TESTED BY HERSCHEL SCHRECK
CHECKED BY MIKE GRATHER



LTL NUMBER: 07115

DATE: 12-02-2002

PREPARED FOR: PRECISION ARCHITECTURAL LIGHTING

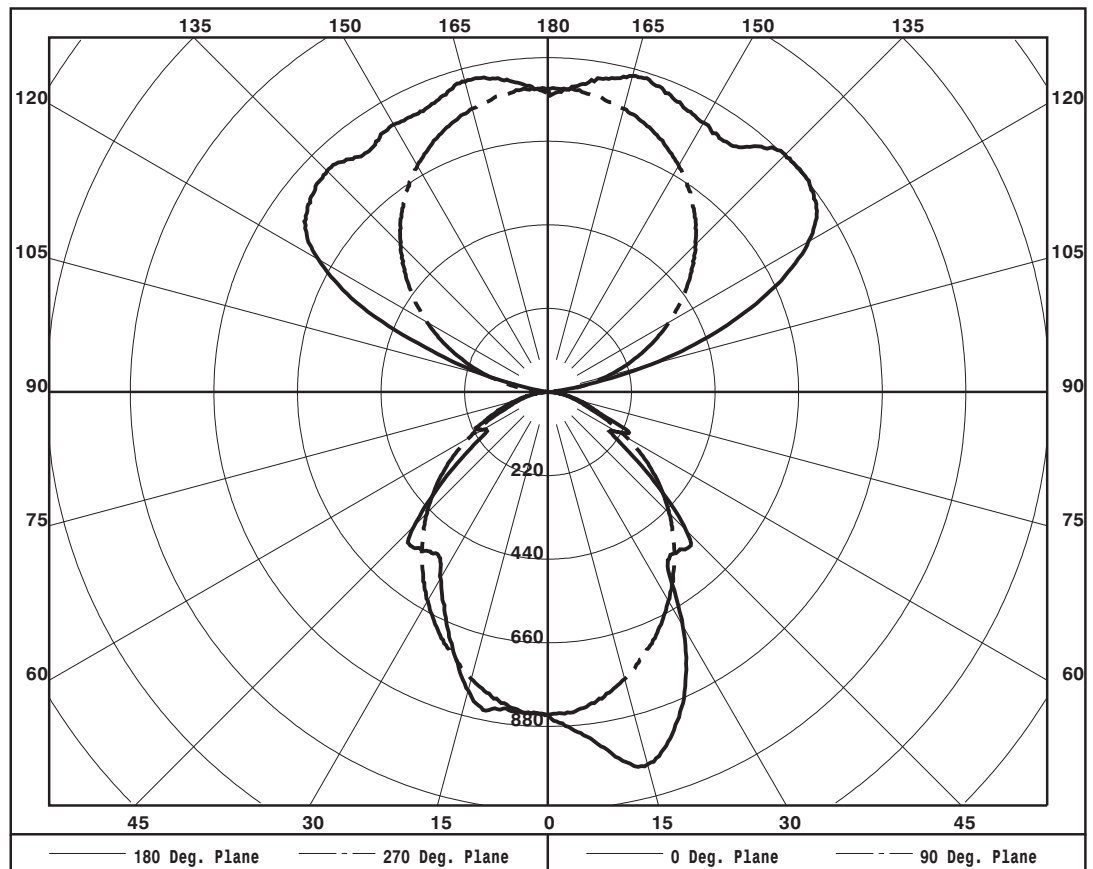
ZONAL LUMEN SUMMARY

0- 5	20.
5- 10	61.
10- 15	102.
15- 20	139.
20- 25	165.
25- 30	180.
30- 35	185.
35- 40	183.
40- 45	183.
45- 50	172.
50- 55	147.
55- 60	113.
60- 65	93.
65- 70	72.
70- 75	52.
75- 80	34.
80- 85	18.
85- 90	4.
90- 95	4.
95-100	29.
100-105	98.
105-110	171.
110-115	231.
115-120	270.
120-125	288.
125-130	289.
130-135	279.
135-140	265.
140-145	244.
145-150	223.
150-155	198.
155-160	168.
160-165	135.
165-170	97.
170-175	58.
175-180	19.

PLANE: 0-DEG 90-DEG
 LUMINOUS LENGTH: 4.000 48.000

LUMINANCE IN CANDELA PER SQUARE METER

ANGLE IN DEG	AVERAGE 0-DEG	AVERAGE 45-DEG	AVERAGE 90-DEG
0	6861.	6861.	6861.
45	5856.	4715.	5149.
55	3251.	4644.	4447.
65	4030.	2808.	3190.
75	2558.	2370.	2277.
85	2038.	1760.	1667.





LTL NUMBER: 07115

DATE: 12-02-2002

PREPARED FOR: PRECISION ARCHITECTURAL LIGHTING

COEFFICIENTS OF UTILIZATION - ZONAL CAVITY METHOD

EFFECTIVE FLOOR CAVITY REFLECTANCE 0.20

Table with columns RC, RW, and rows for cavity heights 0-10 and reflectance values 80, 70, 50, 30, 10, 0.

NOTE: THE ZONAL CAVITY CALCULATION TECHNIQUE IS ACCURATE WHEN LUMINAIRES WITH SYMMETRIC CANDELA DISTRIBUTIONS ARE EMPLOYED AND WHEN THE LUMINAIRES ARE LOCATED SYMMETRICALLY THROUGHOUT THE ROOM. THIS UNIT HAS SPECIAL CHARACTERISTICS AND THEREFORE THESE COEFFICIENTS SHOULD BE USED WITH CAUTION.

THIS TEST WAS CONDUCTED USING RELATIVE PHOTOMETRY TECHNIQUES ACCORDING TO STANDARD IESNA PROCEDURES. THE USER MUST THEREFORE USE CAUTION IN THE FOLLOWING SITUATIONS: 1) THIS TEST WAS PERFORMED USING A SPECIFIC BALLAST/LAMP COMBINATION. EXTRAPOLATION OF THESE DATA FOR OTHER BALLAST/LAMP COMBINATIONS MAY PRODUCE ERRONEOUS RESULTS. 2) ACCORDING TO IESNA PROCEDURES, THE BALLAST(S) AND LAMP(S) ARE PRESUMED TO PRODUCE 100% OF RATED OUTPUT. AN APPROPRIATE BALLAST FACTOR MUST BE APPLIED TO THE LUMEN OUTPUT RATINGS AND LUMINOUS INTENSITY VALUES GIVEN. 3) THIS TEST WAS CONDUCTED IN A CONTROLLED LABORATORY ENVIRONMENT WHERE THE AMBIENT TEMPERATURE WAS HELD AT 25 C 1 C. FIELD PERFORMANCE MAY DIFFER PARTICULARLY IN REGARDS TO CHANGE IN LUMINOUS OUTPUT AS A RESULT OF DIFFERENCE IN AMBIENT TEMPERATURE AND METHOD OF MOUNTING THE LUMINAIRE.



LUMINAIRE TESTING LABORATORY, INC.



905 Harrison Street · Allentown, PA 18103 · (610) 770-1044 · Fax (610) 770-8912 · www.LuminaireTesting.com

INITIAL ILLUMINATION OF 50 FOOTCANDLES USING LTL TEST NUMBER 07115
 LUMINAIRE SUSPENSION LENGTH = 1.5
 WORKING PLANE HEIGHT = 2.50
 FLOOR REFLECTANCE = 20

ROOM HT		8				9				10				12			
CEIL RF		80		70		80		70		80		70		80		70	
WALL RF		70	50	50	30	70	50	50	30	70	50	50	30	70	50	50	30
WIDTH	LENGTH																
10.	10.	2	2	2	2	2	2	2	3	2	2	3	3	2	3	3	4
10.	15.	2	3	3	3	3	3	3	3	3	3	3	4	3	4	4	5
15.	20.	4	4	5	5	4	5	5	5	4	5	5	6	5	6	6	7
15.	30.	6	6	7	7	6	6	7	7	6	7	7	8	7	8	8	9
20.	20.	5	5	6	6	5	6	6	7	5	6	7	7	6	7	7	8
20.	30.	7	8	8	9	7	8	9	9	8	8	9	10	8	9	10	11
20.	40.	9	10	11	11	10	10	11	12	10	11	12	12	10	12	13	14
20.	60.	13	14	15	16	14	15	16	17	14	15	17	18	15	17	18	20
30.	30.	10	11	12	12	10	11	12	13	11	12	13	14	11	13	14	15
30.	40.	13	14	15	16	14	14	16	16	14	15	16	17	15	16	17	19
30.	50.	16	17	19	19	17	18	19	20	17	18	20	21	18	19	21	23
30.	60.	19	20	22	23	20	21	23	24	20	21	23	25	21	23	25	27
60.	60.	37	38	42	43	38	39	43	44	38	40	44	45	39	41	45	47
60.	80.	49	50	55	56	49	51	56	57	50	52	57	59	51	54	59	62
60.	100.	61	62	68	69	61	63	69	71	62	64	70	72	64	66	73	76
100.	100.	100	101	111	113	101	103	113	115	101	104	114	117	103	107	117	120

QUANTITY OF LUMINAIRES