



LTL NUMBER: 07113

DATE: 12-02-2002

PREPARED FOR: PRECISION ARCHITECTURAL LIGHTING

CATALOG NUMBER: AR9300 2LP-D/I-4-WM-OP/PB-X-120-T8

LUMINAIRE: EXTRUDED ALUMINUM HOUSING, FORMED SPECULAR ALUMINUM REFLECTORS BESIDE LAMPS, 12 CELL, 1 1/2" DEEP, FORMED SEMI-SPECULAR ALUMINUM LOUVER BELOW LAMPS, OPEN TOP.

LAMPS: TWO PHILIPS F32T8/TL841 RATED AT 2850 LUMENS EACH.

BALLAST: ONE ADVANCE REL-2P32-SC

MOUNTING: WALL

LUMEN TO CANDELA RATIO USED = 9.18

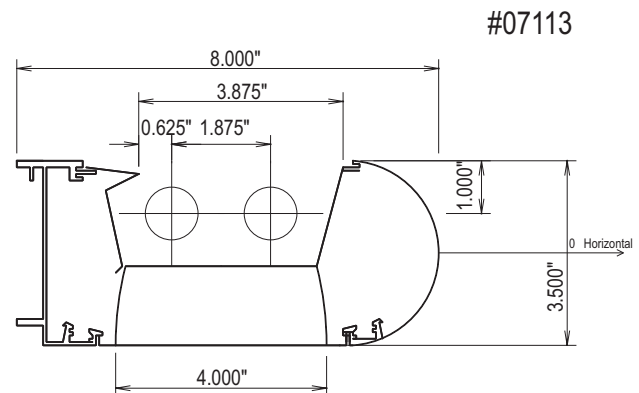
TOTAL INPUT WATTS = 59.8 AT 120.0 VOLTS

THE 0 DEGREE PLANE IS PERPENDICULAR TO THE LAMPS.

Table with columns: CANDELA DISTRIBUTION (0-180) and FLUX (78-239). Rows show light distribution data for various angles.

ZONAL LUMEN SUMMARY table with columns: ZONE, LUMENS, %LAMP, %FIXT. Rows show lumen distribution by zone.

TOTAL LUMINAIRE EFFICIENCY: 85.1%
CIE TYPE: GENERAL DIFFUSE
PLANE: 0-DEG 90-DEG 180-DEG
SPACING CRITERIA: 1.3 1.2 1.2
SHIELDING ANGLES: 30 21 30



#07113

TESTED BY HERSCHEL SCHRECK
CHECKED BY MIKE GRATHER



LTL NUMBER: 07113

DATE: 12-02-2002

PREPARED FOR: PRECISION ARCHITECTURAL LIGHTING

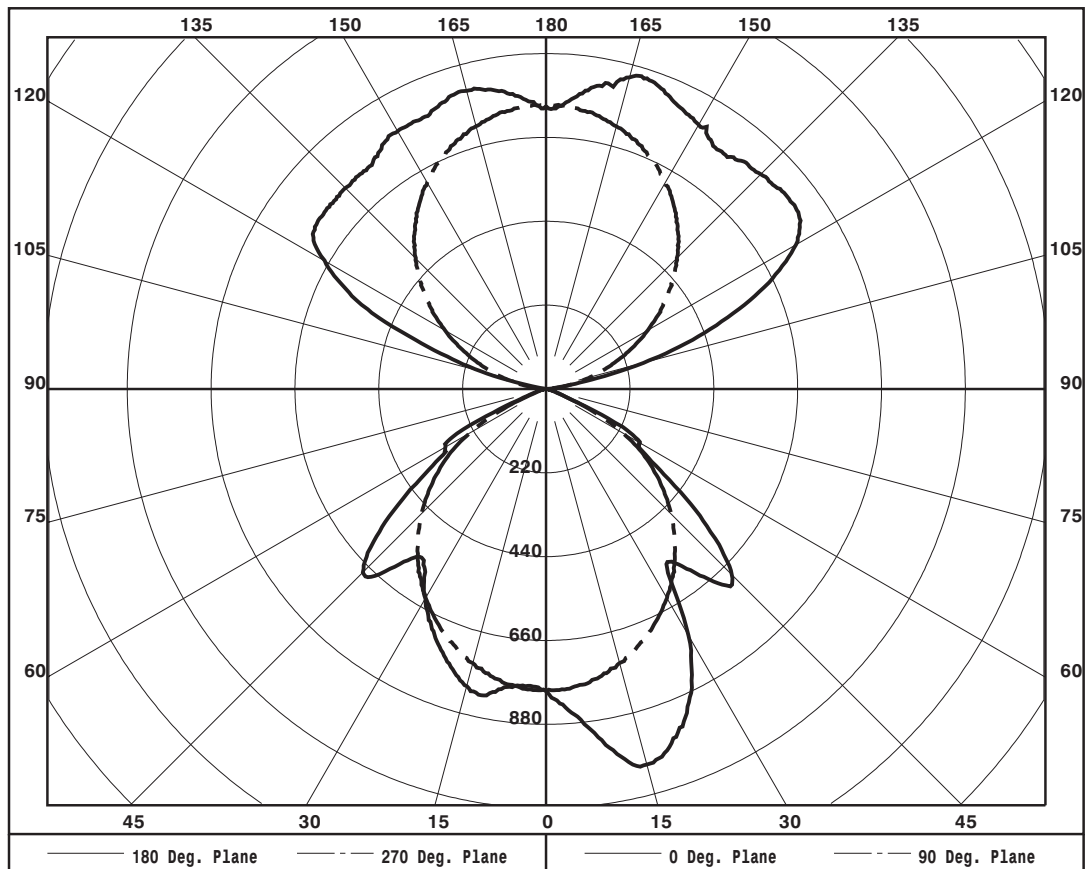
ZONAL LUMEN SUMMARY

0- 5	19.
5- 10	58.
10- 15	100.
15- 20	139.
20- 25	169.
25- 30	191.
30- 35	199.
35- 40	198.
40- 45	208.
45- 50	211.
50- 55	190.
55- 60	145.
60- 65	102.
65- 70	44.
70- 75	13.
75- 80	5.
80- 85	1.
85- 90	0.
90- 95	4.
95-100	26.
100-105	91.
105-110	160.
110-115	216.
115-120	250.
120-125	264.
125-130	262.
130-135	255.
135-140	244.
140-145	230.
145-150	213.
150-155	189.
155-160	161.
160-165	129.
165-170	92.
170-175	55.
175-180	18.

PLANE: 0-DEG 90-DEG
 LUMINOUS LENGTH: 4.000 48.000

LUMINANCE IN CANDELA PER SQUARE METER

ANGLE IN DEG	AVERAGE 0-DEG	AVERAGE 45-DEG	AVERAGE 90-DEG
0	6401.	6401.	6401.
45	7854.	5206.	5297.
55	4954.	6038.	4546.
65	3075.	2521.	2330.
75	499.	437.	312.
85	93.	278.	93.





LTL NUMBER: 07113

DATE: 12-02-2002

PREPARED FOR: PRECISION ARCHITECTURAL LIGHTING

COEFFICIENTS OF UTILIZATION - ZONAL CAVITY METHOD

EFFECTIVE FLOOR CAVITY REFLECTANCE 0.20

Table with columns RC, RW, and rows for ceiling reflectance (80, 70, 50, 30, 10, 0) and room width (70, 50, 30, 10). Values range from 35 to 9.

NOTE: THE ZONAL CAVITY CALCULATION TECHNIQUE IS ACCURATE WHEN LUMINAIRES WITH SYMMETRIC CANDELA DISTRIBUTIONS ARE EMPLOYED AND WHEN THE LUMINAIRES ARE LOCATED SYMMETRICALLY THROUGHOUT THE ROOM. THIS UNIT HAS SPECIAL CHARACTERISTICS AND THEREFORE THESE COEFFICIENTS SHOULD BE USED WITH CAUTION.

THIS TEST WAS CONDUCTED USING RELATIVE PHOTOMETRY TECHNIQUES ACCORDING TO STANDARD IESNA PROCEDURES. THE USER MUST THEREFORE USE CAUTION IN THE FOLLOWING SITUATIONS: 1) THIS TEST WAS PERFORMED USING A SPECIFIC BALLAST/LAMP COMBINATION. EXTRAPOLATION OF THESE DATA FOR OTHER BALLAST/LAMP COMBINATIONS MAY PRODUCE ERRONEOUS RESULTS. 2) ACCORDING TO IESNA PROCEDURES, THE BALLAST(S) AND LAMP(S) ARE PRESUMED TO PRODUCE 100% OF RATED OUTPUT. AN APPROPRIATE BALLAST FACTOR MUST BE APPLIED TO THE LUMEN OUTPUT RATINGS AND LUMINOUS INTENSITY VALUES GIVEN. 3) THIS TEST WAS CONDUCTED IN A CONTROLLED LABORATORY ENVIRONMENT WHERE THE AMBIENT TEMPERATURE WAS HELD AT 25 C ± 1 C. FIELD PERFORMANCE MAY DIFFER PARTICULARLY IN REGARDS TO CHANGE IN LUMINOUS OUTPUT AS A RESULT OF DIFFERENCE IN AMBIENT TEMPERATURE AND METHOD OF MOUNTING THE LUMINAIRE.



LUMINAIRE TESTING LABORATORY, INC.



905 Harrison Street · Allentown, PA 18103 · (610) 770-1044 · Fax (610) 770-8912 · www.LuminaireTesting.com

INITIAL ILLUMINATION OF 50 FOOTCANDLES USING LTL TEST NUMBER 07113
LUMINAIRE SUSPENSION LENGTH = 1.5
WORKING PLANE HEIGHT = 2.50
FLOOR REFLECTANCE = 20

Table with columns for ROOM HT, CEIL RF, WALL RF, WIDTH, and LENGTH, and rows for room dimensions (10, 15, 20, 30, 60, 100) and reflectance values (80, 70).

QUANTITY OF LUMINAIRES