



LTL NUMBER: 07222

DATE: 02-04-2003

PREPARED FOR: PRECISION ARCHITECTURAL LIGHTING

CATALOG NUMBER: TRP01-PP4-4-PB-120-T8

LUMINAIRE: EXTRUDED ALUMINUM HOUSING, FORMED SPECULAR ALUMINUM REFLECTORS BESIDE LAMP, 12 CELL, 1 1/2" DEEP, FORMED SEMI-SPECULAR ALUMINUM LOUVER BELOW LAMP, CLEAR POLYCARBONATE ENCLOSURE WITH LAMINATED PERFORATED SPECULAR LAYER ABOVE LAMP.

LAMP: ONE PHILIPS F32T8/TL841 RATED AT 2850 LUMENS.

BALLAST: ONE ADVANCE REL-1P32-SC

MOUNTING: WALL

LUMEN TO CANDELA RATIO USED = 9.18

TOTAL INPUT WATTS = 31.2 AT 120.0 VOLTS

THE 0 DEGREE PLANE IS PERPENDICULAR TO THE LAMPS.

Table with columns: CANDELA DISTRIBUTION (0.0 to 180) and FLUX (43 to 227). Rows show candlepower values for various angles.

ZONAL LUMEN SUMMARY

Table with columns: ZONE, LUMENS, %LAMP, %FIXT. Rows show lumen and percentage data for various zones from 0-30 to 0-180.

TOTAL LUMINAIRE EFFICIENCY: 71.9%

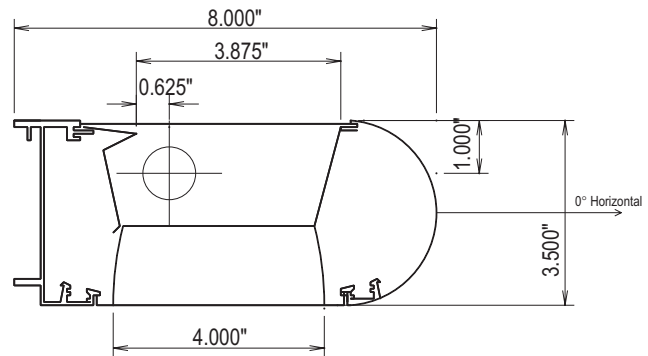
CIE TYPE: GENERAL DIFFUSE

PLANE: 0-DEG 90-DEG 180-DEG

SPACING CRITERIA: 1.7 1.2 0.8

SHIELDING ANGLES: 32 21 65

#07222



TESTED BY HERSCHEL SCHRECK
CHECKED BY MIKE GRATHER



LTL NUMBER: 07222

DATE: 02-04-2003

PREPARED FOR: PRECISION ARCHITECTURAL LIGHTING

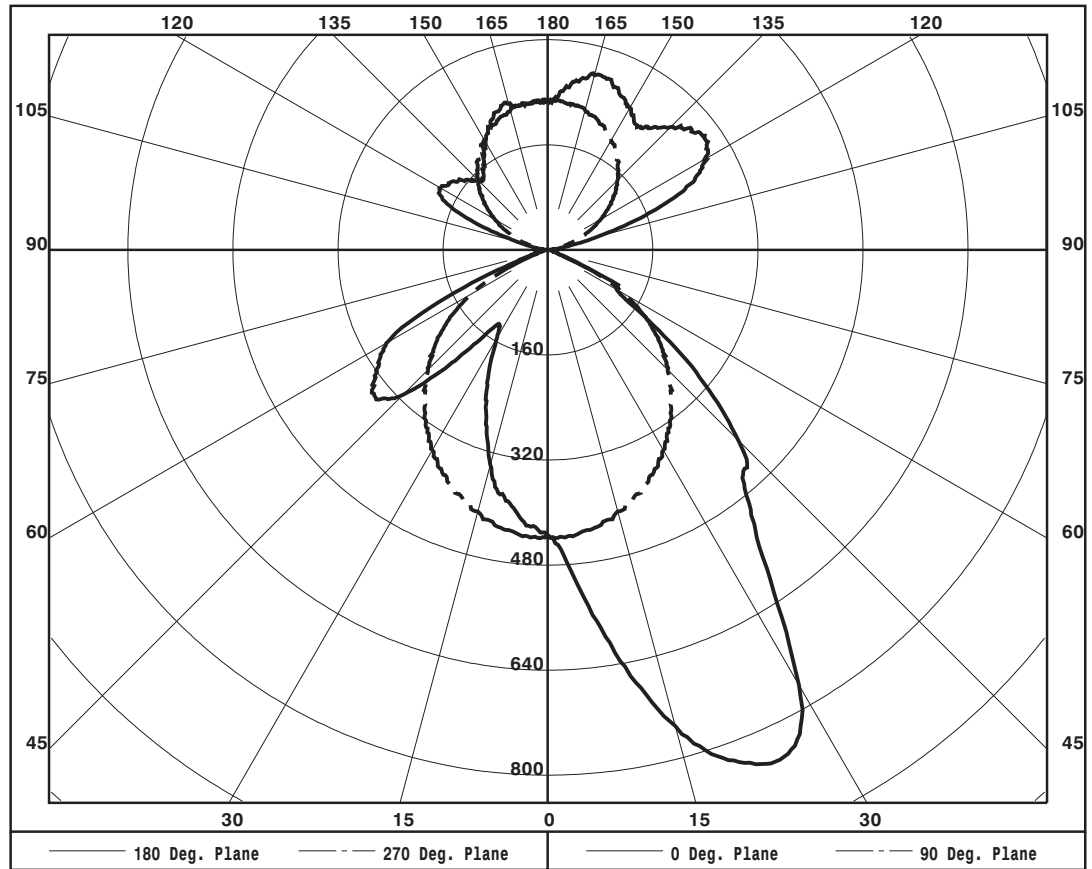
ZONAL LUMEN SUMMARY

0- 5	10.
5- 10	33.
10- 15	57.
15- 20	81.
20- 25	103.
25- 30	120.
30- 35	125.
35- 40	124.
40- 45	122.
45- 50	122.
50- 55	113.
55- 60	93.
60- 65	67.
65- 70	30.
70- 75	10.
75- 80	5.
80- 85	3.
85- 90	1.
90- 95	2.
95-100	7.
100-105	22.
105-110	45.
110-115	66.
115-120	75.
120-125	76.
125-130	74.
130-135	71.
135-140	67.
140-145	65.
145-150	62.
150-155	57.
155-160	49.
160-165	39.
165-170	28.
170-175	17.
175-180	5.

PLANE: 0-DEG 90-DEG  
 LUMINOUS LENGTH: 4.000 48.000

LUMINANCE IN CANDELA PER SQUARE METER

ANGLE IN DEG	AVERAGE 0-DEG	AVERAGE 45-DEG	AVERAGE 90-DEG
0	3503.	3503.	3503.
45	4681.	5126.	2945.
55	2646.	3856.	2590.
65	1490.	1509.	1413.
75	281.	281.	281.
85	278.	278.	278.







LTL NUMBER: 07222

DATE: 02-04-2003

PREPARED FOR: PRECISION ARCHITECTURAL LIGHTING

COEFFICIENTS OF UTILIZATION - ZONAL CAVITY METHOD

EFFECTIVE FLOOR CAVITY REFLECTANCE 0.20

Table with columns RC, RW, and rows for cavity heights 0-10 and reflectance values 80, 70, 50, 30, 10, 0.

NOTE: THE ZONAL CAVITY CALCULATION TECHNIQUE IS ACCURATE WHEN LUMINAIRES WITH SYMMETRIC CANDELA DISTRIBUTIONS ARE EMPLOYED AND WHEN THE LUMINAIRES ARE LOCATED SYMMETRICALLY THROUGHOUT THE ROOM. THIS UNIT HAS SPECIAL CHARACTERISTICS AND THEREFORE THESE COEFFICIENTS SHOULD BE USED WITH CAUTION.

THIS TEST WAS CONDUCTED USING RELATIVE PHOTOMETRY TECHNIQUES ACCORDING TO STANDARD IESNA PROCEDURES. THE USER MUST THEREFORE USE CAUTION IN THE FOLLOWING SITUATIONS: 1) THIS TEST WAS PERFORMED USING A SPECIFIC BALLAST/LAMP COMBINATION. EXTRAPOLATION OF THESE DATA FOR OTHER BALLAST/LAMP COMBINATIONS MAY PRODUCE ERRONEOUS RESULTS. 2) ACCORDING TO IESNA PROCEDURES, THE BALLAST(S) AND LAMP(S) ARE PRESUMED TO PRODUCE 100% OF RATED OUTPUT. AN APPROPRIATE BALLAST FACTOR MUST BE APPLIED TO THE LUMEN OUTPUT RATINGS AND LUMINOUS INTENSITY VALUES GIVEN. 3) THIS TEST WAS CONDUCTED IN A CONTROLLED LABORATORY ENVIRONMENT WHERE THE AMBIENT TEMPERATURE WAS HELD AT 25 C 1 C. FIELD PERFORMANCE MAY DIFFER PARTICULARLY IN REGARDS TO CHANGE IN LUMINOUS OUTPUT AS A RESULT OF DIFFERENCE IN AMBIENT TEMPERATURE AND METHOD OF MOUNTING THE LUMINAIRE.



LUMINAIRE TESTING LABORATORY, INC.



905 Harrison Street · Allentown, PA 18103 · (610) 770-1044 · Fax (610) 770-8912 · www.LuminaireTesting.com

INITIAL ILLUMINATION OF 50 FOOTCANDLES USING LTL TEST NUMBER 07222  
 LUMINAIRE SUSPENSION LENGTH = 1.5  
 WORKING PLANE HEIGHT = 2.50  
 FLOOR REFLECTANCE = 20

ROOM HT	CEIL RF	8				9				10				12			
		80	70	80	70	80	70	80	70	80	70	80	70	80	70		
WALL RF		70	50	50	30	70	50	50	30	70	50	50	30	70	50	50	30
WIDTH	LENGTH																
10.	10.	4	4	4	5	4	4	5	5	4	5	5	6	5	6	6	7
10.	15.	5	5	6	6	5	6	6	7	6	6	7	8	6	8	8	9
15.	20.	9	9	10	10	9	10	10	11	9	10	11	12	10	12	13	14
15.	30.	12	13	14	15	13	14	15	16	13	15	16	17	14	16	17	19
20.	20.	11	12	12	13	11	12	13	14	12	13	14	15	13	15	15	17
20.	30.	16	17	18	19	16	18	19	20	17	18	19	21	18	20	21	23
20.	40.	21	22	23	24	21	23	24	25	22	24	25	27	23	26	27	30
20.	60.	30	32	34	35	31	33	35	37	32	34	36	39	34	37	39	42
30.	30.	23	24	25	26	23	25	26	28	24	26	27	29	25	28	29	32
30.	40.	30	31	33	34	30	32	34	36	31	33	35	37	33	35	38	40
30.	50.	37	38	41	42	38	39	42	44	38	41	43	45	40	43	46	49
30.	60.	44	46	49	50	45	47	50	52	46	48	51	54	48	51	54	58
60.	60.	85	87	93	95	86	89	95	97	87	91	97	100	90	94	100	104
60.	80.	112	115	123	125	114	117	125	128	115	119	127	130	118	123	131	136
60.	100.	140	143	152	155	141	145	155	158	143	147	157	161	146	152	162	168
100.	100.	230	234	250	253	232	236	253	257	234	239	256	260	238	245	261	268

QUANTITY OF LUMINAIRES