



LTL NUMBER: 07221

DATE: 02-04-2003

PREPARED FOR: PRECISION ARCHITECTURAL LIGHTING

CATALOG NUMBER: TRP01-PP2-4-PB-120-T8

LUMINAIRE: EXTRUDED ALUMINUM HOUSING, FORMED SPECULAR ALUMINUM REFLECTORS BESIDE LAMP, 12 CELL, 1 1/2" DEEP, FORMED SEMI-SPECULAR ALUMINUM LOUVER BELOW LAMP, CLEAR POLYCARBONATE ENCLOSURE WITH LAMINATED PERFORATED SPECULAR LAYER ABOVE LAMP.

LAMP: ONE PHILIPS F32T8/TL841 RATED AT 2850 LUMENS.

BALLAST: ONE ADVANCE REL-1P32-SC

MOUNTING: WALL

LUMEN TO CANDELA RATIO USED = 9.18

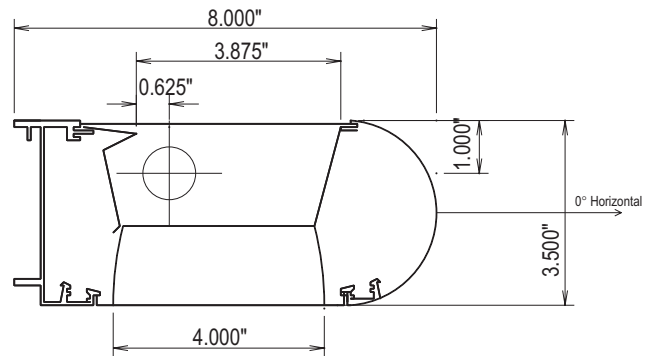
TOTAL INPUT WATTS = 31.2 AT 120.0 VOLTS

THE 0 DEGREE PLANE IS PERPENDICULAR TO THE LAMPS.

CANDELA DISTRIBUTION										FLUX
	0.0	22.5	45.0	67.5	90.0	112.5	135.0	157.5	180.0	
0	482	482	482	482	482	482	482	482	482	
5	557	535	512	487	482	481	483	473	474	48
15	863	825	715	548	458	441	410	386	374	156
25	1015	975	864	623	420	371	323	303	293	261
35	703	772	852	657	362	292	248	216	223	303
45	501	489	549	591	285	207	184	298	348	292
55	286	296	332	428	206	131	229	317	343	251
65	97	109	108	141	82	63	134	179	186	116
75	8	9	11	15	10	11	22	21	18	16
85	0	0	1	1	1	3	3	2	1	3
90	0	0	0	0	0	0	0	0	0	
95	0	1	2	6	0	1	1	1	1	4
105	28	35	36	26	11	17	26	19	18	27
115	88	86	72	40	27	27	47	61	67	54
125	112	100	74	58	44	45	47	63	69	58
135	103	92	77	77	61	61	59	59	59	55
145	92	94	95	86	70	78	76	70	69	50
155	103	103	103	92	78	82	86	86	86	42
165	108	104	101	91	86	86	86	90	92	26
175	96	94	90	88	86	87	86	86	85	8
180	86	86	86	86	86	86	86	86	86	

ZONAL LUMEN SUMMARY				
ZONE	LUMENS	%LAMP	%FIXT	
0- 30	465	16.3	26.3	
0- 40	768	27.0	43.4	
0- 60	1311	46.0	74.1	
0- 90	1445	50.7	81.7	
90-120	84	3.0	4.8	
90-130	143	5.0	8.1	
90-150	248	8.7	14.0	
90-180	325	11.4	18.3	
0-180	1770	62.1	100.0	

TOTAL LUMINAIRE EFFICIENCY: 62.1%  
 CIE TYPE: SEMI-DIRECT  
 PLANE: 0-DEG 90-DEG 180-DEG  
 SPACING CRITERIA: 1.7 1.2 0.8  
 SHIELDING ANGLES: 32 21 65



#07221

TESTED BY HERSCHEL SCHRECK  
 CHECKED BY MIKE GRATHER



LTL NUMBER: 07221

DATE: 02-04-2003

PREPARED FOR: PRECISION ARCHITECTURAL LIGHTING

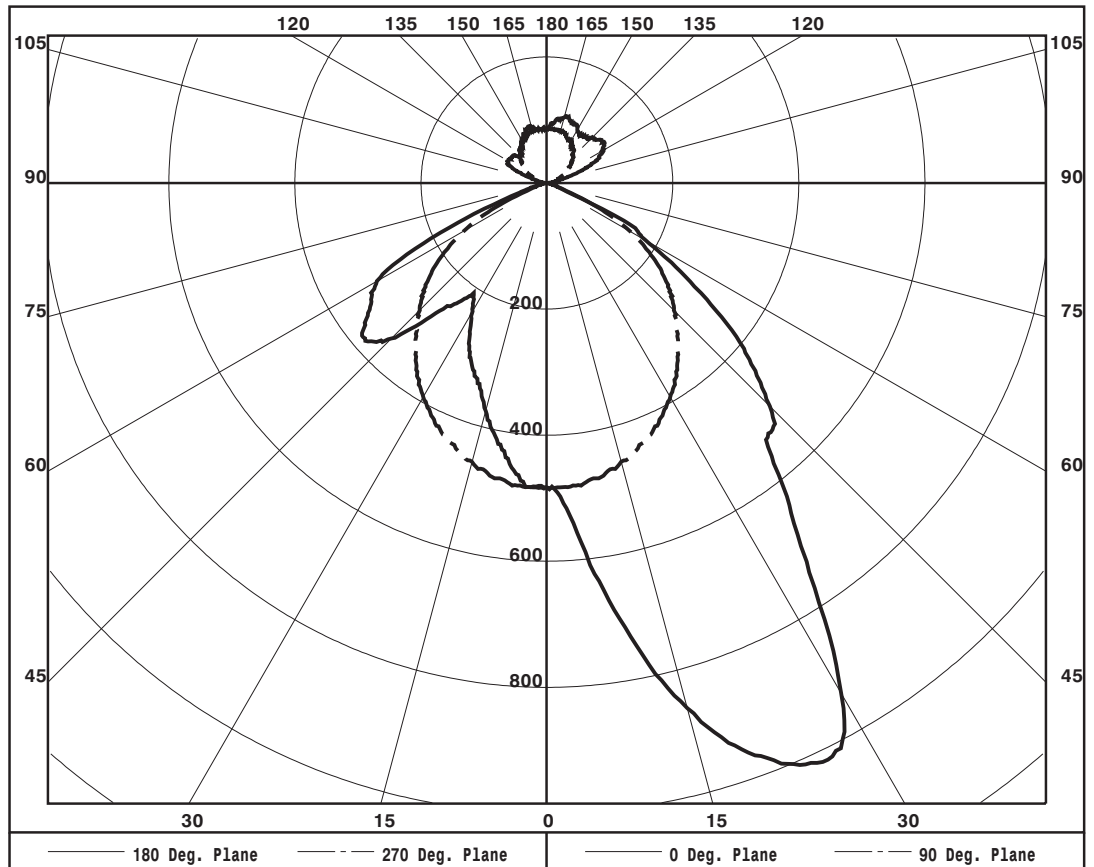
ZONAL LUMEN SUMMARY

0- 5	12.
5- 10	36.
10- 15	64.
15- 20	92.
20- 25	119.
25- 30	142.
30- 35	152.
35- 40	151.
40- 45	147.
45- 50	145.
50- 55	137.
55- 60	114.
60- 65	80.
65- 70	35.
70- 75	11.
75- 80	5.
80- 85	3.
85- 90	0.
90- 95	0.
95-100	4.
100-105	9.
105-110	18.
110-115	25.
115-120	29.
120-125	30.
125-130	29.
130-135	28.
135-140	27.
140-145	26.
145-150	24.
150-155	23.
155-160	20.
160-165	16.
165-170	11.
170-175	6.
175-180	2.

PLANE: 0-DEG 90-DEG  
 LUMINOUS LENGTH: 4.000 48.000

LUMINANCE IN CANDELA PER SQUARE METER

ANGLE IN DEG	AVERAGE 0-DEG	AVERAGE 45-DEG	AVERAGE 90-DEG
0	3891.	3891.	3891.
45	5719.	6267.	3254.
55	4025.	4672.	2899.
65	1853.	2063.	1566.
75	250.	343.	312.
85	0.	93.	93.







LTL NUMBER: 07221

DATE: 02-04-2003

PREPARED FOR: PRECISION ARCHITECTURAL LIGHTING

COEFFICIENTS OF UTILIZATION - ZONAL CAVITY METHOD

EFFECTIVE FLOOR CAVITY REFLECTANCE 0.20

Table with columns for RC (0-10) and RW (70, 50, 30, 10, 0) and rows for RC (0-10). Values range from 0 to 71.

NOTE: THE ZONAL CAVITY CALCULATION TECHNIQUE IS ACCURATE WHEN LUMINAIRES WITH SYMMETRIC CANDELA DISTRIBUTIONS ARE EMPLOYED AND WHEN THE LUMINAIRES ARE LOCATED SYMMETRICALLY THROUGHOUT THE ROOM. THIS UNIT HAS SPECIAL CHARACTERISTICS AND THEREFORE THESE COEFFICIENTS SHOULD BE USED WITH CAUTION.

THIS TEST WAS CONDUCTED USING RELATIVE PHOTOMETRY TECHNIQUES ACCORDING TO STANDARD IESNA PROCEDURES. THE USER MUST THEREFORE USE CAUTION IN THE FOLLOWING SITUATIONS: 1) THIS TEST WAS PERFORMED USING A SPECIFIC BALLAST/LAMP COMBINATION. EXTRAPOLATION OF THESE DATA FOR OTHER BALLAST/LAMP COMBINATIONS MAY PRODUCE ERRONEOUS RESULTS. 2) ACCORDING TO IESNA PROCEDURES, THE BALLAST(S) AND LAMP(S) ARE PRESUMED TO PRODUCE 100% OF RATED OUTPUT. AN APPROPRIATE BALLAST FACTOR MUST BE APPLIED TO THE LUMEN OUTPUT RATINGS AND LUMINOUS INTENSITY VALUES GIVEN. 3) THIS TEST WAS CONDUCTED IN A CONTROLLED LABORATORY ENVIRONMENT WHERE THE AMBIENT TEMPERATURE WAS HELD AT 25 C 1 C. FIELD PERFORMANCE MAY DIFFER PARTICULARLY IN REGARDS TO CHANGE IN LUMINOUS OUTPUT AS A RESULT OF DIFFERENCE IN AMBIENT TEMPERATURE AND METHOD OF MOUNTING THE LUMINAIRE.



LUMINAIRE TESTING LABORATORY, INC.



SUSTAINING MEMBER

905 Harrison Street · Allentown, PA 18103 · (610) 770-1044 · Fax (610) 770-8912 · www.LuminaireTesting.com

INITIAL ILLUMINATION OF 50 FOOTCANDLES USING LTL TEST NUMBER 07221
LUMINAIRE SUSPENSION LENGTH = 1.5
WORKING PLANE HEIGHT = 2.50
FLOOR REFLECTANCE = 20

Table with columns for ROOM HT, CEIL RF, WALL RF, WIDTH, and LENGTH, and rows for room dimensions (10, 15, 20, 30, 60, 100) and reflectance values (80, 70, 50, 30).

QUANTITY OF LUMINAIRES