



LTL NUMBER: 07241

DATE: 02-18-2003

PREPARED FOR: PRECISION ARCHITECTURAL LIGHTING

CATALOG NUMBER: TRP01-SP-4-X-PB-X-120-T8

LUMINAIRE: EXTRUDED ALUMINUM HOUSING, FORMED SPECULAR ALUMINUM REFLECTORS, 12 CELL, 1 1/2" DEEP, FORMED SEMI-SPECULAR ALUMINUM LOUVER BELOW LAMP.

LAMP: ONE 32 WATT LINEAR FLUORESCENT T8 LAMP RATED AT 2850 LUMENS.

LAMP CATALOG NUMBER: PHILIPS F32T8/TL841

BALLAST: ONE UNIVERSAL LIGHTING TECHNOLOGIES B132I120RH-A

MOUNTING: WALL

LUMEN TO CANDELA RATIO USED = 9.18

TOTAL INPUT WATTS = 29.8 AT 120.0 VOLTS

THE 0 DEGREE PLANE IS PERPENDICULAR TO THE LAMPS.

CANDELA DISTRIBUTION

Table with 11 columns: CANDELA DISTRIBUTION (0.0 to 180.0) and FLUX (43 to 19). Rows show candlepower values for various angles.

ZONAL LUMEN SUMMARY

Table with 4 columns: ZONE, LUMENS, %LAMP, %FIXT. Rows show lumen and percentage data for zones from 0-30 to 0-180.

TOTAL LUMINAIRE EFFICIENCY: 57.1%

CIE TYPE: DIRECT

PLANE: 0-DEG 90-DEG 180-DEG

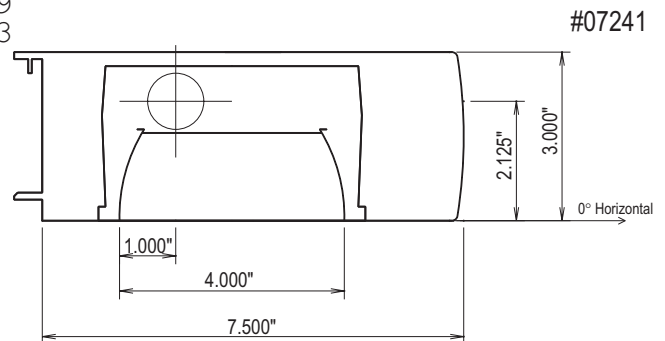
SPACING CRITERIA: 2.1 1.2 0.9

SHIELDING ANGLES: 27 21 53

LUMINOUS LENGTH: 4.000 48.000

LUMINANCE IN CANDELA PER SQUARE METER

Table with 4 columns: ANGLE IN DEG, AVERAGE 0-DEG, AVERAGE 45-DEG, AVERAGE 90-DEG. Rows show luminance values for angles from 0 to 85 degrees.



TESTED BY HERSCHEL SCHRECK
CHECKED BY MIKE GRATHER



LTL NUMBER: 07241

DATE: 02-18-2003

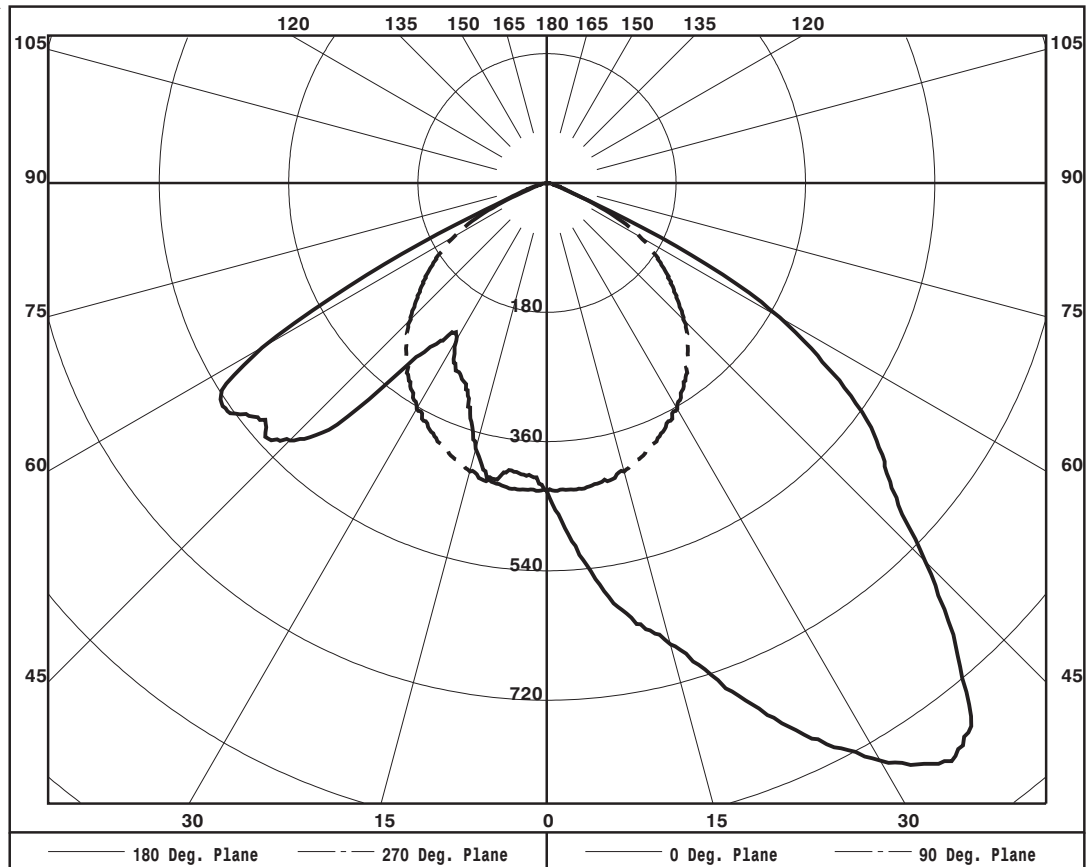
PREPARED FOR: PRECISION ARCHITECTURAL LIGHTING

CANDELA DISTRIBUTION

Table with 10 columns representing candela values at 15-degree intervals from 0.0 to 180.0 degrees.

ZONAL LUMEN SUMMARY

Table with 2 columns: angular zones (e.g., 0-5, 5-10) and corresponding zonal lumen values.





LTL NUMBER: 07241

DATE: 02-18-2003

PREPARED FOR: PRECISION ARCHITECTURAL LIGHTING

COEFFICIENTS OF UTILIZATION - ZONAL CAVITY METHOD

EFFECTIVE FLOOR CAVITY REFLECTANCE 0.20

Table with columns RC, RW, and rows for ceiling reflectance (0-10) and room wall reflectance (0-10). Values represent utilization coefficients.

NOTE: THE ZONAL CAVITY CALCULATION TECHNIQUE IS ACCURATE WHEN LUMINAIRES WITH SYMMETRIC CANDELA DISTRIBUTIONS ARE EMPLOYED AND WHEN THE LUMINAIRES ARE LOCATED SYMMETRICALLY THROUGHOUT THE ROOM. THIS UNIT HAS SPECIAL CHARACTERISTICS AND THEREFORE THESE COEFFICIENTS SHOULD BE USED WITH CAUTION.

THIS TEST WAS CONDUCTED USING RELATIVE PHOTOMETRY TECHNIQUES ACCORDING TO STANDARD IESNA PROCEDURES. THE USER MUST THEREFORE USE CAUTION IN THE FOLLOWING SITUATIONS: 1) THIS TEST WAS PERFORMED USING A SPECIFIC BALLAST/LAMP COMBINATION. EXTRAPOLATION OF THESE DATA FOR OTHER BALLAST/LAMP COMBINATIONS MAY PRODUCE ERRONEOUS RESULTS. 2) ACCORDING TO IESNA PROCEDURES, THE BALLAST(S) AND LAMP(S) ARE PRESUMED TO PRODUCE 100% OF RATED OUTPUT. AN APPROPRIATE BALLAST FACTOR MUST BE APPLIED TO THE LUMEN OUTPUT RATINGS AND LUMINOUS INTENSITY VALUES GIVEN. 3) THIS TEST WAS CONDUCTED IN A CONTROLLED LABORATORY ENVIRONMENT WHERE THE AMBIENT TEMPERATURE WAS HELD AT 25 C 1 C. FIELD PERFORMANCE MAY DIFFER PARTICULARLY IN REGARDS TO CHANGE IN LUMINOUS OUTPUT AS A RESULT OF DIFFERENCE IN AMBIENT TEMPERATURE AND METHOD OF MOUNTING THE LUMINAIRE.



LUMINAIRE TESTING LABORATORY, INC.



905 Harrison Street · Allentown, PA 18103 · (610) 770-1044 · Fax (610) 770-8912 · www.LuminaireTesting.com

INITIAL ILLUMINATION OF 50 FOOTCANDLES USING LTL TEST NUMBER 07241
LUMINAIRE SUSPENSION LENGTH = 1.5
WORKING PLANE HEIGHT = 2.50
FLOOR REFLECTANCE = 20

Table with columns for ROOM HT, CEIL RF, WALL RF, WIDTH, and LENGTH, and rows for room dimensions (10x10, 10x15, 15x20, 15x30, 20x20, 20x30, 20x40, 20x60, 30x30, 30x40, 30x50, 30x60, 60x60, 60x80, 60x100, 100x100).

QUANTITY OF LUMINAIRES