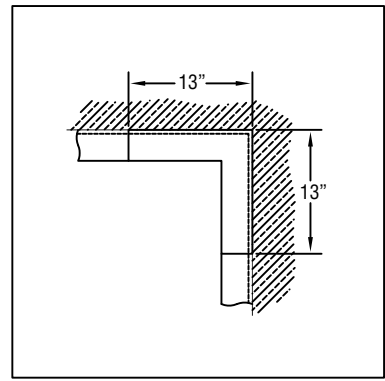


Catalog Number	Type
Project Name	

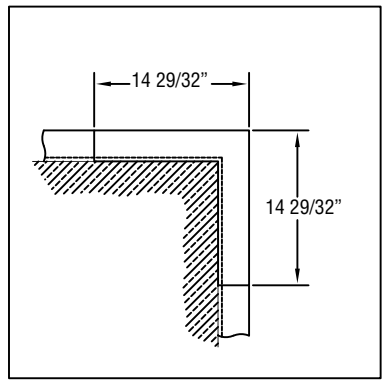
# Paladia™-LED Perimeter Series

## Lighted Corner Specifications

### S P E C I F I C A T I O N S



90° Inside Lit Corner



90° Outside Lit Corner

Contact factory for corners other than 90°

\*Due to continued advancement in LED technology, lumen performance is subject to change. Please visit our website for the most up-to-date information.

- Paladia-LED Perimeter Series** 3" x 4" wall mounted indirect.
- Construction** Mitered and welded .060" thick extruded aluminum.
- Finish** Standard and premium finishes are baked powder coat electrostatically applied (2.0 mil. minimum thickness) to assure aesthetics and durability.
- Optical Controls** Clear .060" thick polycarbonate dust cover - standard.  
**FDC** - Frosted .060" thick polycarbonate dust cover - optional.
- Light Engine** Osram-Sylvania LED strips available for 3000K, 3500K, and 4000K CCT:  
**HO** - High Output  
 \*2139 Total Delivered Lms. at 20 System Watts (Using 4000K LED modules)  
**MO** - Medium Output  
 \*1362 Total Delivered Lms. at 13 System Watts (Using 4000K LED modules)
- Driver** Osram-Sylvania "Optotronic" power supply is UL/CUL recognized, 0 - 10V dimming available, 120-277 universal voltage.

### H O W T O O R D E R

Standard lighted corners are 90° Outside Corner, 90° Inside Corner.

#### Catalog Logic

All lighted corners should be specified and ordered as follows:

<p><b>Series</b></p> <p><b>PPSQ</b> Square Fascia</p> <p><b>PPST</b> Stepped Fascia</p> <p><b>PPCL</b> Classical Fascia</p> <p><b>PPRD</b> Round Fascia</p>	<p><b>Mounting</b></p> <p>W = Wall</p>
---	--

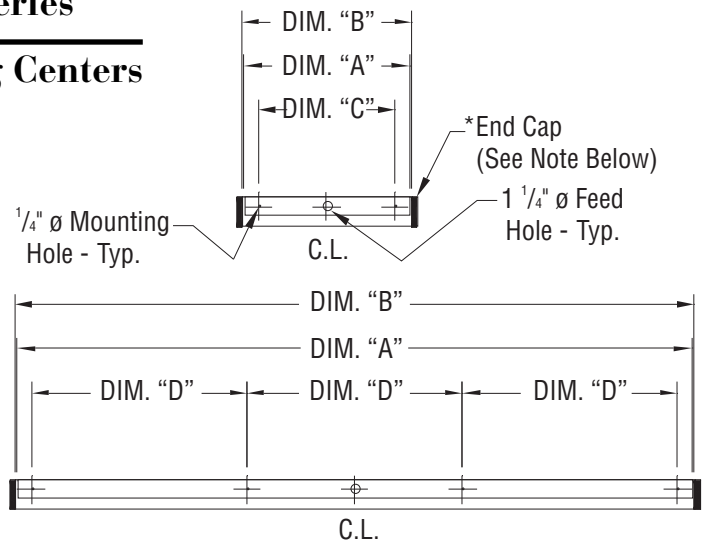
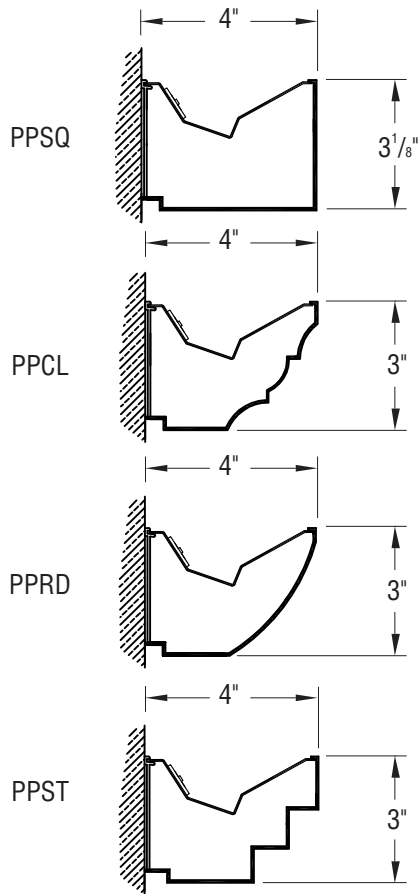
**PPCL-HO-K40-C90I-W-F01M-V-[ ]**

<p><b>Lumen Output</b></p> <p><b>HO</b> - High Output *2139 Total Lumens - 105 Lm/W</p> <p><b>MO</b> - Medium Output *1362 Total Lumens - 110 Lm/W</p> <p>*Lumen rating per approx. 2' section (4000K)</p>	<p><b>CCT</b></p> <p><b>K30</b> 3000 Kelvin</p> <p><b>K35</b> 3500 Kelvin</p> <p><b>K40</b> 4000 Kelvin</p>	<p><b>Corner Type</b></p> <p><b>C90I</b> 90° Inside</p> <p><b>C90O</b> 90° Outside</p>	<p><b>Standard Finishes</b></p> <p><b>F01M</b> Matte White</p> <p><b>Premium Finishes</b></p> <p><b>F01G</b> Gloss White    <b>F11M</b> Matte Black  <b>F02</b> Ivory            <b>F12</b> Ultrasonic Clear  <b>F03</b> Stonewash      <b>F13</b> Merlot  <b>F04</b> Camel            <b>F14</b> Red Skies  <b>F05</b> Gray Day        <b>F15</b> Lemon  <b>F06</b> Pebble Beach   <b>F16</b> Forest Hunter  <b>F07</b> Steel              <b>F20</b> Blue Print  <b>F08</b> Gray Seal        <b>F21</b> Reflex Blue  <b>F09</b> Mocha            <b>F22</b> Navy  <b>F10</b> Bronzed          <b>FCC</b> Custom Color  <b>F11G</b> Gloss Black</p>	<p><b>Voltage</b></p> <p>120</p> <p>277</p> <p>UNV</p>	<p><b>Options</b></p> <p><b>Dim</b> Dimming</p> <p><b>FS</b> Fused Drivers</p> <p><b>FDC</b> Frosted .060" Thick Polycarbonate Dust Cover</p>
--	---	--	--	--	---



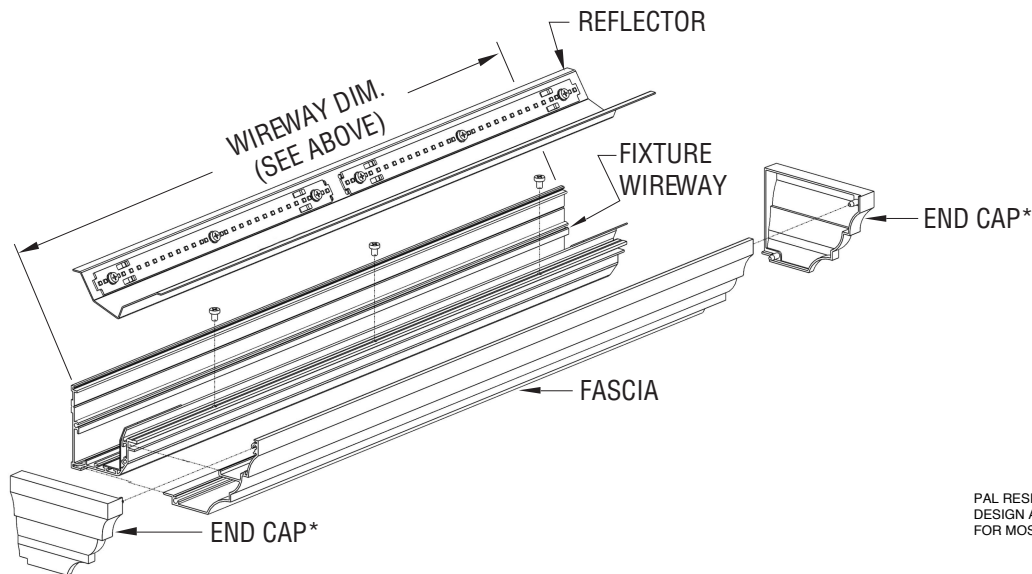
# Paladia™-LED Perimeter Series

## Standard Fixture Lengths and Mounting Centers



FIXTURE LENGTH		MOUNTING CENTERS	
DIM 'A' (WW LGTH)	DIM 'B' (*FASCIA LGTH)	DIM 'C'	DIM 'D'
24" (Nom. 2 ft.)	24 1/4"	18"	-----
36" (Nom. 3 ft.)	36 1/4"	30"	-----
48" (Nom. 4 ft.)	48 1/4"	42"	-----
72" (Nom. 6 ft.)	72 1/4"	-----	22"
96" (Nom. 8 ft.)	96 1/4"	-----	30"
144" (Nom. 12 ft.)	144 1/4"	-----	42"

\*Does not include fascia end caps.



PAL RESERVES THE RIGHT TO CHANGE PRODUCT DESIGN AND SPECIFICATIONS. CONTACT FACTORY FOR MOST RECENT PRODUCT INFORMATION.

**\*Note:** End caps are used whenever the fixture or fixture row does not terminate against a wall or into a corner. Add 5/8" per End Cap to the overall length of fixture or fixture row. (1 1/4" total for 2 End Caps)



Precision Architectural Lighting 4830 Timber Creek Drive Houston, Texas 77017  
Tel 713.946.4343 Fax 713.946.4441 www.pal-lighting.com



Made in America