

Paladia's flexibility makes it an excellent choice as either a primary or secondary source of illumination. Common applications may include:

Small Spaces. Paladia offers style and efficiency in meeting the low-to-moderate illumination requirements of waiting rooms, lounges, conference rooms and residential spaces.

Open Areas. Paladia is ideal for open areas that require a low level of ambient illumination and ADA compliance. These spaces can include lobbies, entryways, and corridors in airports, hotels, hospitals and malls.

Multi-Purpose Rooms. In conference and training rooms, for example, Paladia works with the main lighting system to provide task illumination during work sessions and alone as low-level lighting for A/V presentations, lectures and film projections.

Night Lighting. Discrete sections of the system will deliver efficient, attractive night lighting, allowing a main system to power-down during non-working hours.

Shopping Malls. With it's design flexibility, Paladia can accommodate many different architectural styles. With fascia sections available in lengths up to 12', Paladia can appear seamless as it provides a perimeter delineation in a large, open retail area.



Paladia's integral black reveal minimizes the unpleasant effects caused by surface irregularities inherent in most walls.

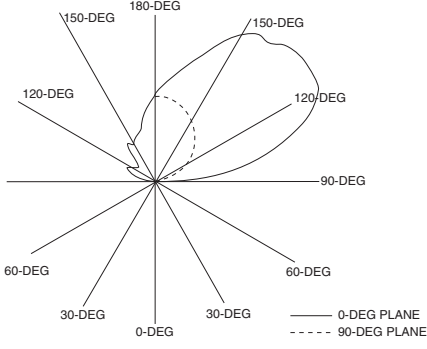


Whether in a continuous perimeter system (shown here) or in discrete sections, illumination by Paladia makes settings brighter and more pleasing, and aids in defining the architectural features of a space.

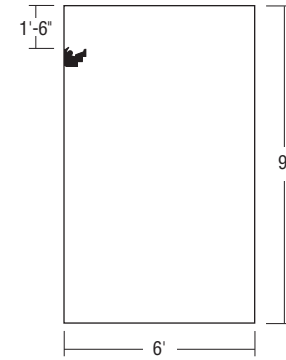
Paladia – PERIMETER SERIES

Candela Distribution

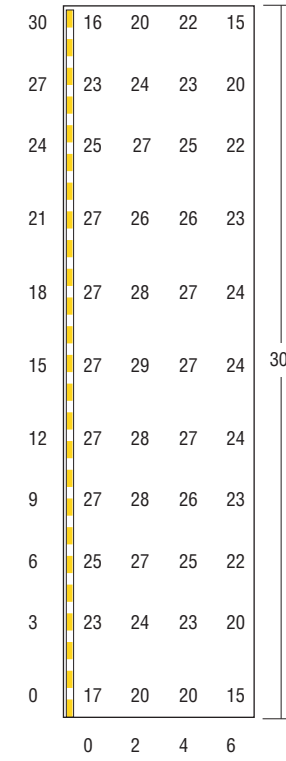
Catalog Number: PPCL01-4-W-F01M-120-T5
Report Number: LTL#04449.ies



CANDELA DISTRIBUTION									
	0.0	22.5	45.0	67.5	90.0	112.5	135.0	157.5	180.0
0	0	0	0	0	0	0	0	0	0
5	0	0	0	0	0	0	0	0	0
15	0	0	0	0	0	0	0	0	0
25	0	0	0	0	0	0	0	0	0
35	0	0	0	0	0	0	0	0	0
45	0	0	0	0	0	0	0	0	0
55	0	0	0	0	0	0	0	0	0
65	0	0	0	0	0	0	0	0	0
75	0	0	4	3	0	0	0	0	0
85	0	7	7	11	0	1	0	0	0
90	122	137	99	50	4	3	2	0	0
95	263	275	221	149	13	16	4	2	1
105	559	580	507	309	68	43	80	96	112
115	836	814	649	371	137	83	91	134	153
125	919	861	684	418	205	113	92	116	131
135	913	835	697	438	268	163	177	143	134
145	862	801	642	461	323	217	192	209	223
155	732	660	569	469	367	283	235	231	235
165	586	556	517	461	398	347	303	278	283
175	485	463	453	430	411	397	383	371	385
180	417	417	417	417	417	417	417	417	417



Sample Layout
OPEN HALLWAY, 30' LONG X 6' WIDE
 Catalog Number: PPCL01-4-W-F01M-120-T5
 Row Arrangement: 1 – 30' Row on West Wall
 Ceiling Height: 9'
 Mounting Height: 7– 6"
 Reflectance: 80/50/20
 Illuminance: 24.5 Avg FC (on Floor)



- Some suggested applications are:
- Lobbies • Restaurants • Corridors • Theaters
 - Schools • Medical Facilities • Conference Rooms
 - Libraries • Airports • Offices • Museums

Paladia™

PERIMETER SERIES

Cove lighting has long been an aesthetically desirable feature within offices, conference rooms, lobbies, hallways and other architectural spaces.

Unfortunately, construction and installation have made indirect perimeter lighting a complicated, labor-intense and expensive option for designers. But now, the problems associated with cove lighting have been solved.

Introducing the Paladia Perimeter Series from Precision Architectural Lighting.

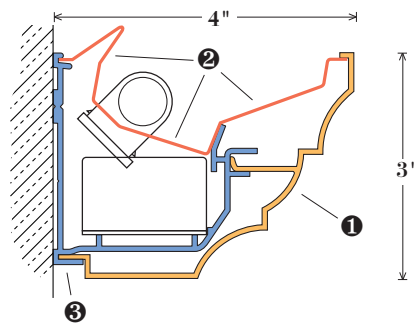
Paladia eliminates the need for a built-up, drywall cove. Installation is simple and fast, requiring few tools and no carpentry work at all. And the Paladia cross-section is narrow enough to comply with requirements of the Americans with Disabilities Act.

Paladia is also surprisingly affordable – costing less than other cove lighting systems – while delivering superb performance using the advanced technology of T5 and T8 lamps and solid-state ballasts.

But the appeal of Paladia only begins there. Look into the exciting features of Paladia. You'll see the potential for cove lighting in a whole new light.



Paladia uses advanced T5 lamp technology and computer-aided reflector design to deliver outstanding illumination from a compact, stylish source.



1. Extruded aluminum fascia, available in four profiles, can be provided in lengths up to 12'
2. Semi-specular reflector provides high-performance asymmetric light distribution
3. Pre-assembled extruded aluminum wireway is available in sections up to 12'
4. 4" width complies with ADA requirements for fixtures mounted 6'8" or lower

Available in four distinctive profiles, Paladia provides the form and flexibility to distinguish any architectural design. Superbly styled, the contoured, extruded aluminum fasciae match flawlessly with sculpted, die-cast end-caps and precisely mitred corner sections. Select one of 22 standard powder-coat finishes, or let Precision Architectural Lighting develop a custom color to meet your project requirements. Whatever style and color you choose, Paladia will enhance your design like no other lighting system.



Paladia's standard accessories include precisely mitred 90-degree and 135-degree corner fittings. Custom angles may be manufactured to accommodate any corner with the finest fit and finish.

Distinctive Styles

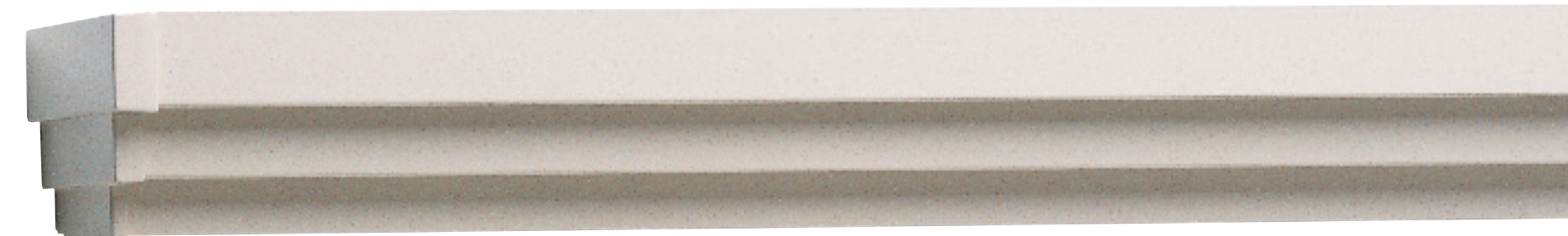
The sleek rectilinear design of the new **Square Profile** adds a clean timeless aesthetic statement to the Paladia Perimeter family.



Borrowing from traditional elements, the **Classical Profile** lends itself to dignified, elegant spaces, replacing architectural cove moldings with an attractively lighted silhouette.



With its distinct angular appearance, the **Stepped Profile** provides clean, contemporary lines to spaces that require a geometric progression of architectural elements.



Enhancing any décor with a gracefully rounded contour, the **Rounded Profile** is the consummate archetypal shape, integrating into a variety of architectural themes with style and ease.



Superbly Engineered to Be a Stand-Alone System or a Stylish Complement to Primary Lighting

Paladia™

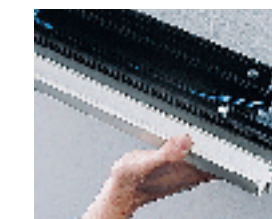
P E R I M E T E R S E R I E S

Simple Installation

Paladia was engineered to install easily and quickly – with few tools and only four basic components.



- 1** Wireway
Mount extruded aluminum wireway, which includes pre-assembled electrical components.



- 2** Fascia
Insert extruded aluminum fascia into wireway and secure with set screws.



- 3** End Caps
Push die-cast ends onto fascia.



- 4** Reflector
"Snap" reflector into wireway.