

# Microlinea™ Suspended Series 3 - LED

Catalog Number	Type
Project Name	



## MLS3-I/D-LED

### 3 1/8" x 5" Indirect/Direct



#### S P E C I F I C A T I O N S

##### Housing

One-piece .080" thick extruded aluminum. Die-cast aluminum end caps are secured with no visible fasteners. Standard lengths are nominal 2', 3', 4', 6', 8' and 12'. Provisions may be made for patterns and continuous rows of any length.

##### Finish

Standard and premium finishes are baked powder coat electrostatically applied (2.0 mil minimum thickness) to assure aesthetics and durability. Standard color for stems and canopies is white.

##### Indirect Optical Controls

- (OP) Open - Standard distribution
- (FDC) Frosted extruded 100% polycarbonate dust cover - Standard distribution
- (WSOP) Wide-Spread Optic - Open Top
- (WSDC) Wide-Spread Optic - Clear extruded 100% polycarbonate dust cover

##### Direct Optical Control

(LOH) .070" thick, high transmittance extruded acrylic snap-in lens, formulated for maximum diffusion of the LED light source.

##### Reflector/Heat Sink

- Indirect - .040" thick die-formed aluminum finished with a high reflectance white enamel.
- Direct - .040" thick die-formed aluminum finished with a high reflectance white enamel.

##### Integral Controls

Contact factory for control by Occupancy Sensors, Photo Controls and Daylight Harvesting.

##### Driver

Osram-Sylvania "Optotronic" power supply is UL/CUL recognized, 0-10V dimming available, 120-277 universal voltage. 347V is available.

##### Light Engine

Osram-Sylvania LED modules available for 3000K, 3500K and 4000K CCT, in high and medium light outputs:

**HO/HO**-High Output (Up/Dn) - Frosted Dust Cover  
\*6496 Total Del'd Lms. at 57 System Watts

**HO/HO**-High Output (Up/Dn) - W.S. Optic/Open Top  
\*6737 Total Del'd Lms. at 57 System Watts

**MO/MO**-Medium Output (Up/Dn) - Frosted Dust Cover  
\*4117 Total Del'd Lms. at 35 System Watts

**MO/MO**-Medium Output (Up/Dn) - W.S. Optic/Open Top  
\*4283 Total Del'd Lms. at 35 System Watts

(\*All values per 4' using 4000K LED modules)

\*Due to continued advancement in LED technology, lumen performance is subject to change. Please visit our website for the most up-to-date information.

##### Circuitry

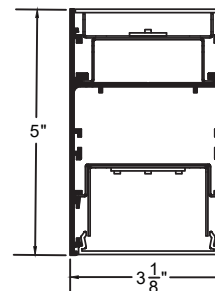
All fixtures are factory pre-wired for a single circuit. Provision for multiple switching/circuiting is optional.

##### Wiring

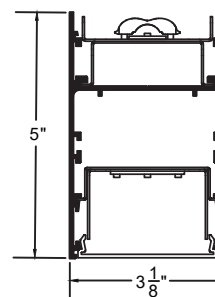
All fixtures intended for continuous rows are provided with factory installed quick-connect wiring.

##### Certification

All fixtures are UL/CUL listed for use in 'Dry Applications'. 'Damp Location' is optional.



MLS3-I/D-HO/HO-FDC/LOH  
MLS3-I/D-MO/MO-FDC/LOH  
Shown with optional Frosted Dust Cover



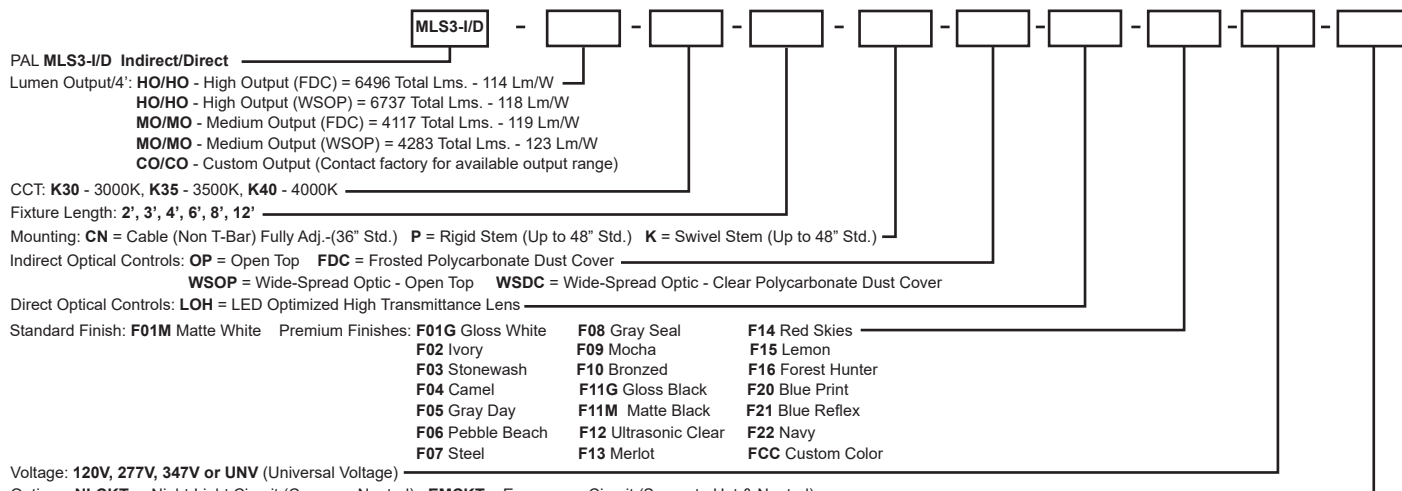
MLS3-I/D-HO/HO-WSOP/LOH  
MLS3-I/D-MO/MO-WSOP/LOH



Wide-Spread Optic

The WS optic is a precisely designed, optical-grade acrylic LED-refraction system. Engineered for superior ceiling uniformity, it provides a more comfortable illuminated space while reducing energy consumption.

Sample Catalog Number: **MLS3-I/D - HO/HO - K40 - 4 - CN - WSOP/LOH - F01M - 120 - DIM10**



PAL **MLS3-I/D** Indirect/Direct

Lumen Output/4': **HO/HO** - High Output (FDC) = 6496 Total Lms. - 114 Lm/W  
**HO/HO** - High Output (WSOP) = 6737 Total Lms. - 118 Lm/W  
**MO/MO** - Medium Output (FDC) = 4117 Total Lms. - 119 Lm/W  
**MO/MO** - Medium Output (WSOP) = 4283 Total Lms. - 123 Lm/W  
**CO/CO** - Custom Output (Contact factory for available output range)

CCT: **K30** - 3000K, **K35** - 3500K, **K40** - 4000K

Fixture Length: 2', 3', 4', 6', 8', 12'

Mounting: **CN** = Cable (Non T-Bar) Fully Adj.-(36" Std.) **P** = Rigid Stem (Up to 48" Std.) **K** = Swivel Stem (Up to 48" Std.)

Indirect Optical Controls: **OP** = Open Top **FDC** = Frosted Polycarbonate Dust Cover  
**WSOP** = Wide-Spread Optic - Open Top **WSDC** = Wide-Spread Optic - Clear Polycarbonate Dust Cover

Direct Optical Controls: **LOH** = LED Optimized High Transmittance Lens

Standard Finish: **F01M** Matte White Premium Finishes: **F01G** Gloss White **F08** Gray Seal **F14** Red Skies  
**F02** Ivory **F09** Mocha **F15** Lemon  
**F03** Stonewash **F10** Bronzed **F16** Forest Hunter  
**F04** Camel **F11G** Gloss Black **F20** Blue Print  
**F05** Gray Day **F11M** Matte Black **F21** Blue Reflex  
**F06** Pebble Beach **F12** Ultrasonic Clear **F22** Navy  
**F07** Steel **F13** Merlot **FCC** Custom Color

Voltage: 120V, 277V, 347V or UNV (Universal Voltage)

Options: **NLCKT** = Night-Light Circuit (Common Neutral) **EMCKT** = Emergency Circuit (Separate Hot & Neutral)

**EBPL** = Emergency Battery Pack (6 Watt) \*N/A for 2' & 3' **EBPH** = Emergency Battery Pack (10 Watt) \*N/A for 2' & 3' **DIM10** = Dimming - to 10%  
**DIM1** = Dimming - to 1% **DIM0** = Dimming - to 0% (Dark) **FS** = Fused Drivers **GTD** = Generator Transfer Device **DL** = Damp Location

