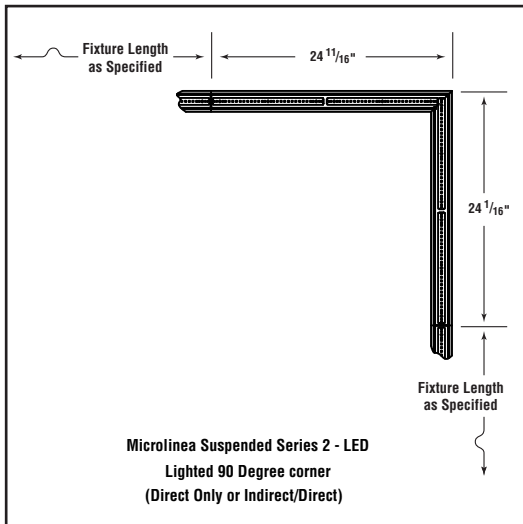


Microlinea Suspended Series 2, 3 & 5

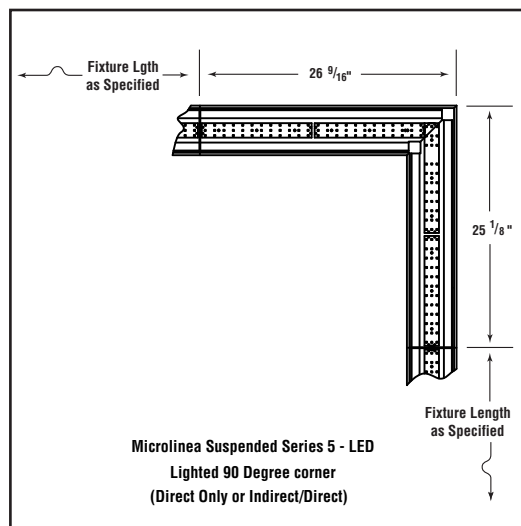
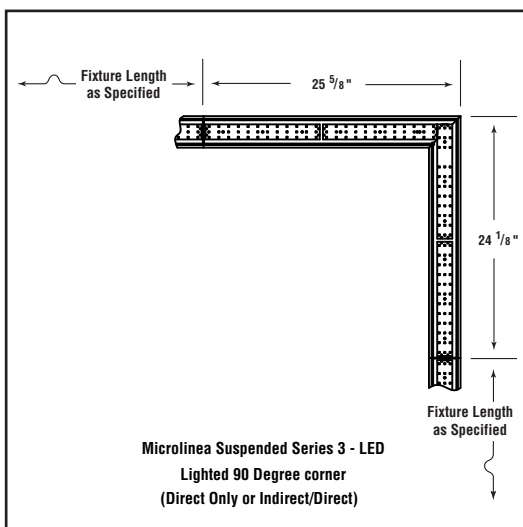
Lighted Corner Specifications - LED

S P E C I F I C A T I O N S



Extruded aluminum 90° mitered corners are available when surface or pendant mounted patterns are desired. Series 2, Series 3 and Series 5 corners are available in nominal 2' x 2' long continuously lighted configurations.

*See corresponding Microlinea Suspended LED catalog pages for fixture specifications.



H O W T O O R D E R

Series

MLS2-D
MLS3-D
MLS5-D
MLS2-1/D
MLS3-1/D
MLS5-1/D

CCT

K30
3000 Kelvin
K35
3500 Kelvin
K40
4000 Kelvin

Corner Type

L90 = 90° Lit Corner

Mounting

CN = Cable (Non-Tbar) Fully Adjustable (36" Std)
P = Rigid Stem (Up to 48" Standard) (Direct Only)
K = Swivel Stem (Up to 48" Standard) (Direct Only)
J = Ceiling

Voltage

120
277

MLS3 - 1/D - HO/HO - K35 - L90 - CN - DC/LOH - F01M - V - []

Lumen Outputs - Direct Only & Indirect/Direct

Direct Only

HO - High Output: Series 2, Series 3, Series 5
MO - Med. Output: Series 2, Series 3, Series 5

Indirect/Direct

MO/MO - Med./Med. Outputs: Series 2, Series 3, Series 5
MO/HO - Med./High Outputs: Series 2, Series 3, Series 5
HO/MO - High/Med. Outputs: Series 2, Series 3, Series 5
HO/HO - High/High Outputs: Series 2, Series 3, Series 5

*See previous Microlinea Suspended LED catalog pages for Total Lumen Outputs and Lumens/Watt information.

Indirect Optical Controls

OP
Open
DC
Frosted Dust Cover

Direct Optical Controls

LOH
LED Optimized High Transmittance Lens

Standard Finishes

F01M Matte White
Premium Finishes
F01G Gloss White F12 Ultrasonic Clear
F02 Ivory F13 Merlot
F03 Stonewash F14 Red Skies
F04 Camel F15 Lemon
F05 Gray Day F16 Forest Hunter
F06 Pebble Beach F17 Olive
F07 Steel F18 Khaki
F08 Gray Seal F19 Heather Green
F09 Mocha F20 Blue Print
F10 Bronzed F21 Reflex Blue
F11G Gloss Black F22 Navy
F11M Matte Black FCC Custom Color

Options

SS(U/L)(Upper/Lower) LED Row Switching (Common Neutral)
NLCKT Night Light Circuit (Common Neutral)
EMCKT Emergency Circuit (Separate Hot & Neutral)
Dim Dimming

FS Fused Drivers
DL Damp Location

