

SAFETY AND INSTALLATION INSTRUCTIONS MICROLINEA SERIES 3 & SERIES 5 WET LOCATION

DIRECT RECESSED MOUNT

CAUTION:

- * BE CERTAIN THAT POWER TO FIELD WIRING HAS BEEN TURNED OFF PRIOR TO INSTALLATION.
- * THIS PRODUCT MUST BE INSTALLED IN ACCORDANCE WITH THE APPLICABLE INSTALLATION CODE BY A PERSON FAMILIAR WITH THE CONSTRUCTION AND OPERATION OF THE PRODUCT AND THE HAZARDS INVOLVED.
- * IT IS INSTALLER'S RESPONSIBILITY TO ENSURE THAT MOUNTING SURFACE IS STRUCTURALLY CAPABLE OF SUPPORTING WEIGHT OF FIXTURE.
- * BE CERTAIN THAT SUPPLY VOLTAGE IS THE SAME AS THAT MARKED ON FIXTURES.

CE PRODUIT DOIT ÊTRE INSTALLÉ SELON LE CODE D'INSTALLATION PERTINENT, PAR UNE PERSONNE QUI CONNAÎT BIEN LE PRODUIT ET SON FONCTIONNEMENT AINSI QUE LES RISQUES INHÉRENTS.

SINGLE FIXTURE INSTALLATION

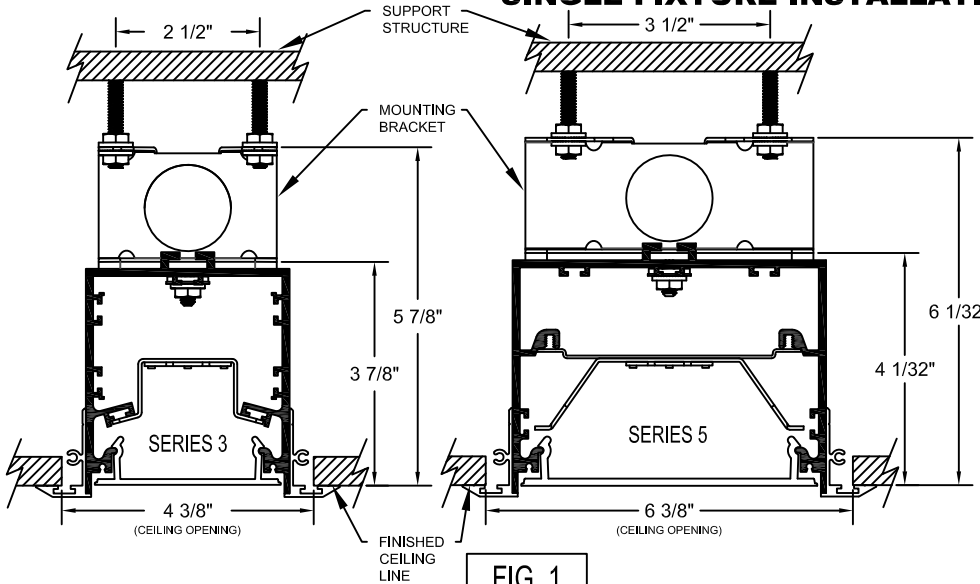


FIG. 1

NOTE: REFER TO FACTORY SHOP DRAWING FOR CORRECT CEILING OPENING REQUIRED TO ACCEPT FIXTURE.

STEP 1
SECURE MOUNTING BRACKETS TO STRUCTURE ABOVE WITH 1/4-20 THREADED RODS (BY OTHERS) USING CENTERS AS INDICATED ON FACTORY SHOP DRAWING. BOTTOM OF MOUNTING BRACKET MUST BE DISTANCE AS SHOWN FROM FINISHED CEILING LINE. (FIG'S 1 & 2)

STEP 2
REMOVE END CAP COVER PLATES & GASKETS. RAISE FIXTURE TO A POINT WHERE WATER-TIGHT CONDUIT & FITTING (BY OTHERS) MAY BE INSTALLED TO 7/8\"/>

STEP 3
RAISE FIXTURE TO MOUNTING BRACKETS, ALLOWING BRACKET STUDS TO PASS THROUGH HOLE IN TOP OF FIXTURE END CAP. SECURE FIXTURE TO BRACKET WITH 1/4-20 NUT & NEOPRENE BACKED WASHER AS ILLUSTRATED IN (FIG 2).

STEP 4
ROUTE INCOMING FEED WIRES (MIN 90°C RATED) INTO FIXTURE END CAP AND MAKE WIRE CONNECTIONS.

STEP 5
RE-INSTALL END CAP COVER PLATE & GASKET, MAKING SURE GASKET IS PROPERLY SEATED IN THE RECESS OF THE END CAP. ENERGIZE FIXTURE AND CHECK FOR PROPER OPERATION.

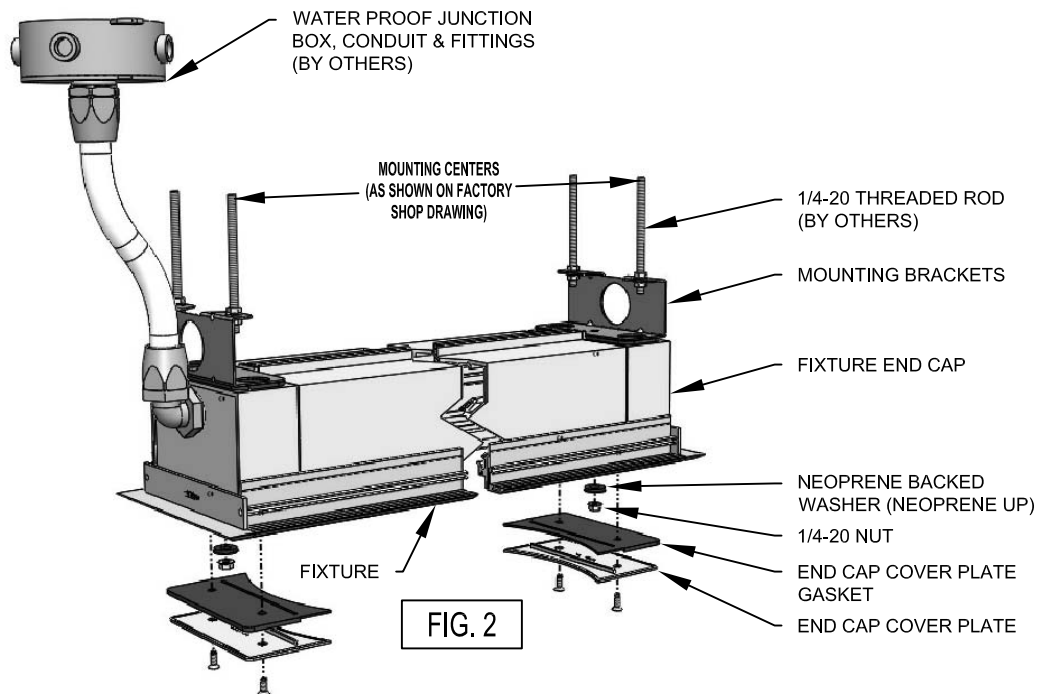


FIG. 2

REFERENCE BACK PAGE FOR CONTINUOUS ROW INSTALLATION



SAFETY AND INSTALLATION INSTRUCTIONS MICROLINEA SERIES 3 & SERIES 5 WET LOCATION DIRECT RECESSED MOUNT

ROW INSTALLATION

CAUTION

DO NOT ATTEMPT TO ASSEMBLE FIXTURE ROWS ON GROUND THEN LIFT INTO POSITION. ATTEMPTING TO ASSEMBLE & INSTALL FIXTURES IN THIS MANNER MAY CREATE STRESS AT CONNECTIONS RESULTING IN DAMAGE AND/OR MECHANICAL FAILURE.

STEP 1

SECURE ALL MOUNTING BRACKETS TO STRUCTURE ABOVE WITH 1/4-20 THREADED RODS (BY OTHERS) USING CENTERS INDICATED ON FACTORY SHOP DRAWING. BOTTOM OF MOUNTING BRACKET MUST BE DISTANCE AS SHOWN FROM FINISHED CEILING LINE. (FIG 1 - OPP. PAGE) INSTALL FIRST FIXTURE IN ROW OBSERVING INSTRUCTIONS 2 THROUGH 4 ON OPPOSITE PAGE.

NOTE: AT THIS POINT ALL END CAP COVER PLATES & GASKETS SHOULD BE TEMPORARILY REMOVED FROM FIXTURES.

STEP 2

INSERT JOINT GASKET INTO THE RECESS OF THE JOINT END OF SECOND FIXTURE, ALLOWING WIRE HARNESS TO PASS THROUGH THE WIREWAY HOLE. RAISE SECOND FIXTURE TO A POINT WHERE WIRE HARNESSES MAY BE PLUGGED TOGETHER. CONTINUE TO RAISE FIXTURE SO THAT IT IS ALIGNED WITH FIRST FIXTURE MAKING SURE TO PUSH EXCESS HARNESS WIRE INTO FIXTURE. SECURE SECOND FIXTURE TO PREVIOUSLY INSTALLED MOUNTING BRACKETS WITH 1/4-20 NUTS AND NEOPRENE BACKED WASHERS SUPPLIED. (FIG 3)

STEP 3

JOIN FIRST FIXTURE TO SECOND FIXTURE AT JOINT WITH 1/4-20 CARRIAGE BOLTS AND NUTS SUPPLIED. BE CERTAIN THERE ARE NO THROUGH WIRES BEING PINCHED AT JOINT. (FIG 3)

STEP 4

CONTINUE TO MOUNT ANY ADDITIONAL FIXTURES IN ROW AS INSTRUCTED IN STEPS 2 & 3 ABOVE.

STEP 5

RE-INSTALL ALL END CAP COVERS AND GASKETS MAKING SURE GASKET IS PROPERLY SEATED IN THE RECESS END OF THE CAP. ENERGIZE FIXTURE ROW AND CHECK FOR PROPER OPERATION.

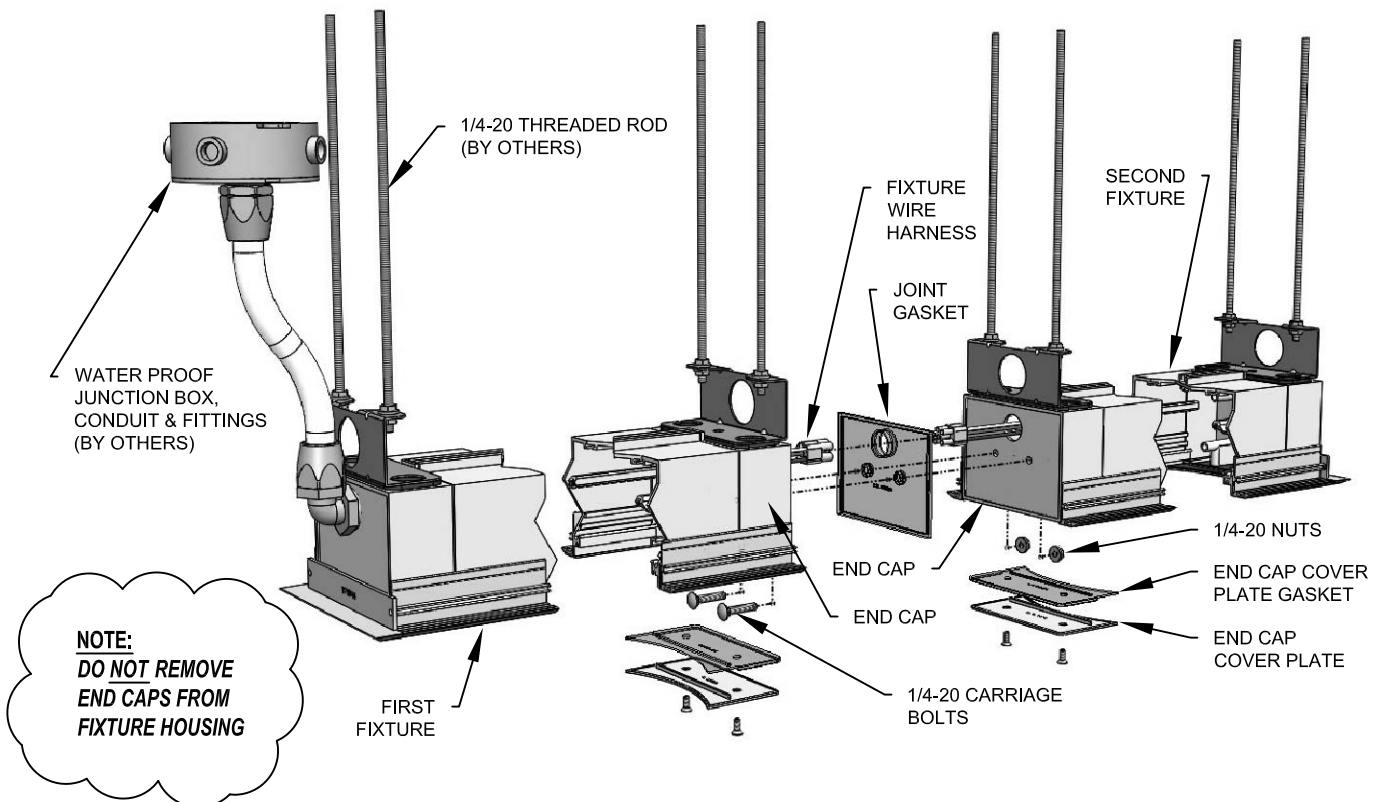


FIG. 3

