

LENS INSTALLATION & REMOVAL INSTRUCTIONS MICROLINEA SERIES 3 & SERIES 5 WET LOCATION

LENS REMOVAL

NOTE FOR DIRECT/INDIRECT FIXTURES:

DO NOT REMOVE INDIRECT LENS. LENS IS SEALED IN PLACE. REMOVAL OF THE INDIRECT LENS WILL DAMAGE THE WET LOCATION SEAL AND WILL VOID THE WARRANTY. SERVICE FIXTURE FROM DIRECT LENS SIDE ONLY.

STEP 1:

FOR BEST RESULTS READ ALL LENS INSTRUCTIONS FIRST BEFORE INSTALLING OR REMOVING LENS. TURN OFF FIXTURE POWER SUPPLY. REMOVE BOTH FIXTURE END CAP COVERS AND END CAP COVER GASKETS (USING A 1/8" HEX KEY). (FIG 1)

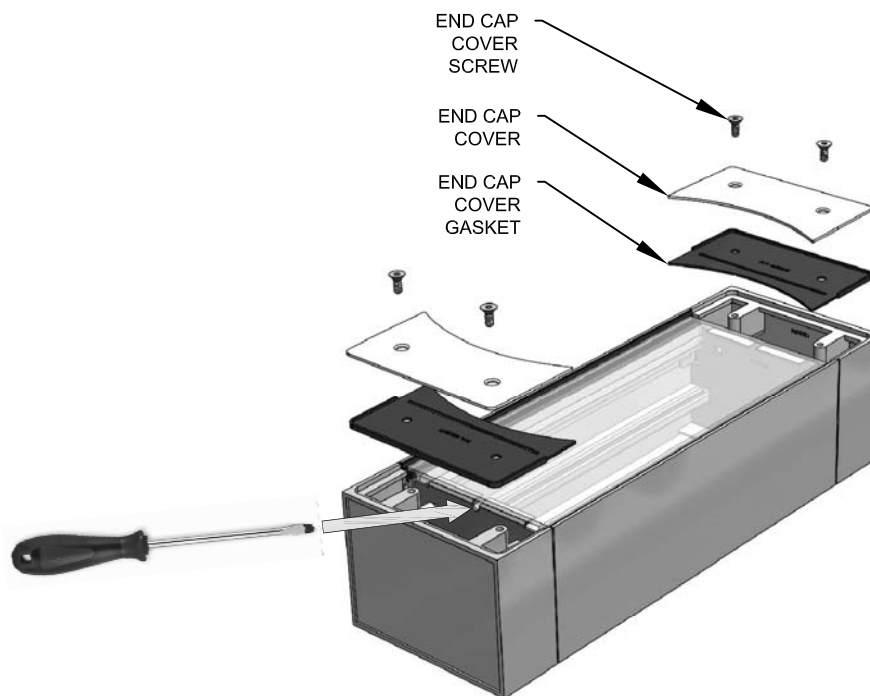


FIG. 1

STEP 2:

USE A SLOTTED SCREWDRIVER (OR OTHER BLADE TOOL) TO GENTLY DISENGAGE THE LENS FROM THE FIXTURE HOUSING AS ILLUSTRATED (FIG. 1). INSERT THE SCREWDRIVER AT APPROXIMATELY THE MIDDLE OF ONE EXPOSED END OF THE LENS AND GENTLY PRY THE LENS AWAY FROM THE FIXTURE. ONCE THE LENS SEPARATES FROM THE FIXTURE HOUSING USE CARE AND APPLY EVEN FORCE TO PULL THE LENS OUT COMPLETELY WITHOUT SCRATCHING OR CAUSING DAMAGE TO THE LENS. USE CAUTION TO AVOID DAMAGING ANY OF THE SEALING GASKETS.

REFERENCE BACK PAGE FOR LENS INSTALLATION



Precision Architectural Lighting

Tel (713) 946-4343 Fax (713) 946-4441 www.palighting.com

4830 Timber Creek Drive Houston, Texas 77017

PAL RESERVES THE RIGHT TO CHANGE PRODUCT DESIGN AND SPECIFICATIONS. CONTACT FACTORY FOR MOST RECENT PRODUCT INFORMATION.

3750170-1 9/16

LENS INSTALLATION & REMOVAL INSTRUCTIONS MICROLINEA SERIES 3 & SERIES 5 WET LOCATION

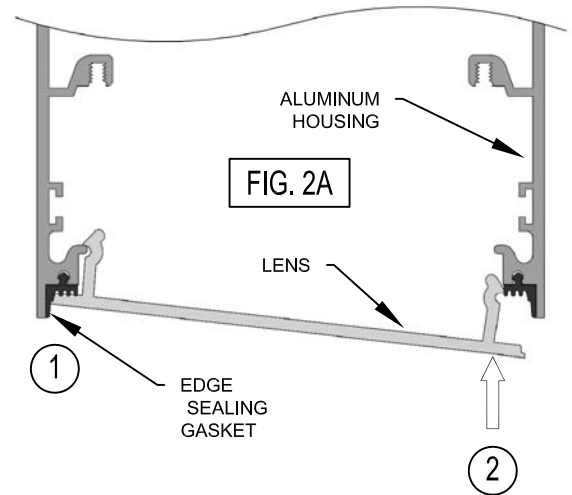
LENS INSTALLATION

STEP 1:

FOR BEST RESULTS READ ALL LENS INSTRUCTIONS FIRST BEFORE INSTALLING OR REMOVING LENS. REMOVE END CAP COVER PLATES AND COVER PLATE GASKETS IF REQUIRED.

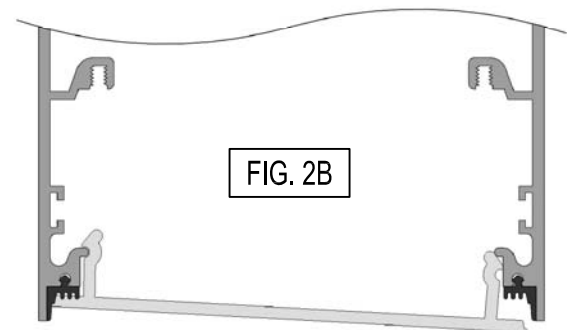
PLACE LENS EDGE IN POSITION 1, AS SHOWN IN FIG 2A. MAKE SURE LENS EDGE IS AS CLOSE TO THE OUTSIDE FACE OF THE ALUMINUM HOUSING AS POSSIBLE. BE SURE NOT TO PINCH OR CRIMP THE EDGE SEALING GASKET. SLIDE THE LENS IF NECESSARY TO CENTER IT IN THE LIT OPENING OF THE FIXTURE. THE END CAP COVER PLATES WILL NOT FIT IN PLACE PROPERLY IF THE LENS IS NOT CENTERED.

STARTING AT THE CENTER OF THE LENS, APPLY MODERATE PRESSURE AT LOCATION 2 AS SHOWN (FIG 2A) UNTIL LENS IS PARTIALLY SEATED AS ILLUSTRATED IN FIG. 2B.



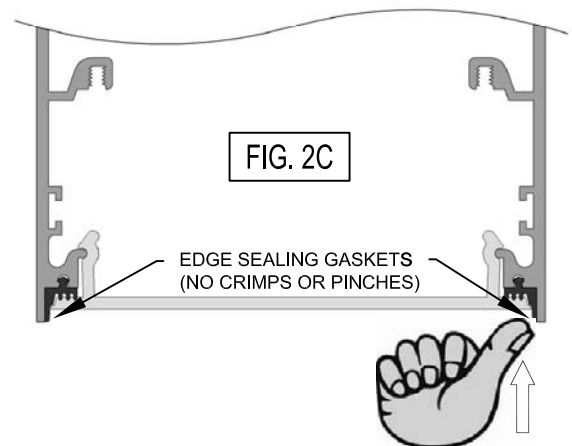
STEP 2:

THE LENS SHOULD NOW BE TEMPORARILY SEATED ALONG ITS ENTIRE LENGTH AS SHOWN IN FIGURE 2B. DO NOT PRESS THE LENS INTO ITS FINAL POSITION AT THIS TIME. INSPECT BOTH EDGE SEALING GASKETS TO MAKE SURE THEY ARE NOT PINCHED OR CRIMPED. IF EITHER OF THE SIDE SEALING GASKETS ARE PINCHED OR CRIMPED AT ANY LOCATION, THE LENS MUST BE REMOVED (SEE PAGE 1). CAREFULLY REINSTALL THE LENS AFTER MAKING SURE THE EDGE SEALING GASKETS ARE PROPERLY SEATED (FIG 2B).



STEP 3:

THE LENS MUST NOW BE CAREFULLY PRESSED INTO ITS FINAL SEALING POSITION. START AT THE MIDDLE OF THE LENS AND APPLY PRESSURE ON THE OUTSIDE EDGE OF THE LENS, AND WORK TO EACH END, UNTIL IT IS ENGAGED IN ITS FINAL SEALING POSITION AS ILLUSTRATED IN FIG. 2C. INSPECT THE EDGE SEALING GASKETS ON BOTH SIDES OF THE LENS TO MAKE SURE THEY ARE NOT PINCHED OR CRIMPED. IF EITHER OF THE SIDE SEALING GASKETS ARE CRIMPED OR PINCHED AT ANY LOCATION, THE LENS MUST BE REMOVED AND CAREFULLY RE-INSTALLED.



STEP 4:

REPLACE FIXTURE END CAP COVER GASKETS AND END CAP COVERS. CAREFULLY ALIGN AND TIGHTEN ALL COMPONENTS TO ENSURE A GOOD SEAL.

STEP 5:

TURN ON POWER SUPPLY AND VERIFY PROPER OPERATION.

REFERENCE FRONT PAGE FOR LENS REMOVAL



Precision Architectural Lighting

Tel (713) 946-4343 Fax (713) 946-4441 www.palighting.com

4830 Timber Creek Drive Houston, Texas 77017

PAL RESERVES THE RIGHT TO CHANGE PRODUCT DESIGN AND SPECIFICATIONS. CONTACT FACTORY FOR MOST RECENT PRODUCT INFORMATION.

3750170-2 9/16