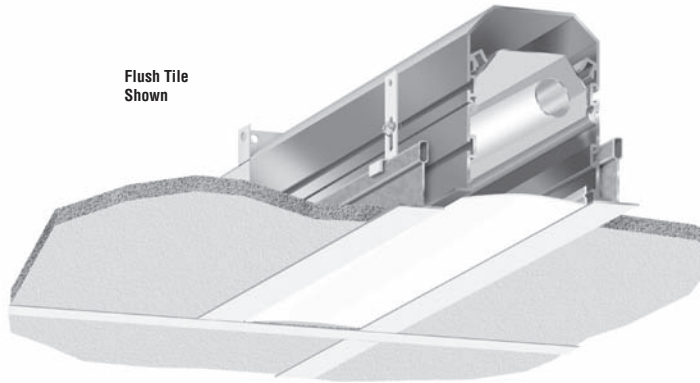


Catalog Number	Type
Project Name	

Microlinea™ Recessed Series 3 - Fluorescent

(3 1/8" Luminous Aperture)



S P E C I F I C A T I O N S

Housing

Three piece extruded aluminum available in single sections up to 8' long in 2' increments. Standard flange finish is satin white.

Optical Controls

- (PB) 3/4" deep semi-specular aluminum parabolic baffle with blades on 1 1/2" centers
- (PBW) 3/4" deep white aluminum parabolic baffle with blades on 1 1/2" centers
- (LP) Flush clear extruded DR acrylic linear prismatic lens
- (TWA) Flush translucent white extruded DR acrylic lens
- (FC) Flush frosted clear extruded DR acrylic lens
- (RTWA) Regressed translucent white DR acrylic lens

Staggered Lamping

Staggered lamping is standard for all continuous rows. See Microlinea Row Guide Section.

Reflectors

Die-formed from .020" thick aluminum and finished with a high reflectance white enamel.

Ballast

Standard ballasts for T8 lamps are UL/CUL listed, Class P, HPF, electronic, universal 120/277volt, instant start with <10% THD.

Circuitry

All fixtures are factory pre-wired for a single circuit. Provision for multiple switching/circuiting is optional.

Wiring

All fixtures intended for continuous rows are provided with factory installed quick-connect wiring.

Integral Controls

Contact factory for daylight and/or occupancy sensor controls.

Certification

All fixtures are UL/CUL listed for use in 'Dry Applications'. 'Damp Location' is optional.

Nominal Length:
See Microlinea Row Guide Section for row lengths.

Series
MLR3

Ceiling Type
FT = 15/16" or 9/16" Grid with Flush Tile
TT = 15/16" or 9/16" Grid with Tegular Tile
SG = Screw Slot Grid

MLR3-1-18'-FT-PB-120-T8-[]

of Lamps
1

Optical Controls
PB Semi-Specular Parabolic Baffle
PBW White Parabolic Baffle
LP Linear Prismatic Lens
TWA Translucent White Acrylic Lens
FC Frosted Clear Lens
RTWA Regressed Translucent White Acrylic Lens

Voltage
120
277
347

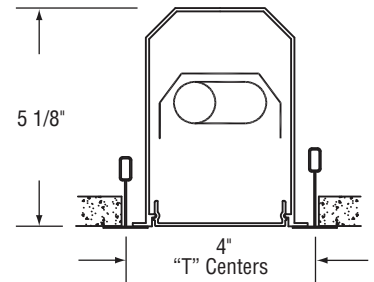
Lamp Type
T8

Options
NLCKT Night Light Circuit (Common Neutral) (N/A for 2' or 3')
EMCKT Emergency Circuit (Separate Hot & Neutral) (N/A for 2' or 3')
EBPL Emergency Battery Pack (635-700 Lumens) (N/A for 2' or 3')
EBPH Emergency Battery Pack (975-1325 Lumens) (N/A for 2' or 3')

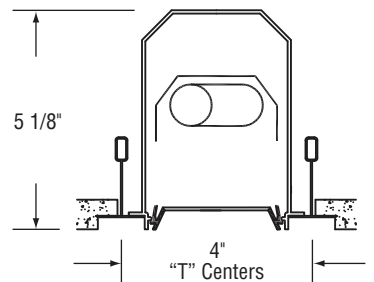
Dim
Dimming
FS Fused Ballasts
GTD Generator Transfer Device (N/A for 2' or 3')
CP Chicago Plenum
DL Damp Location
RS Rapid Start Ballast

Grid Ceilings

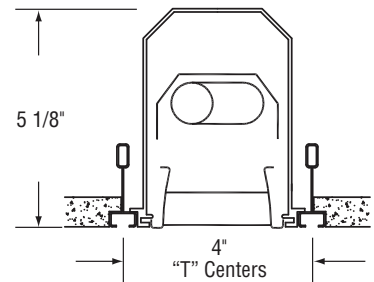
(1 - T8 Lamp)



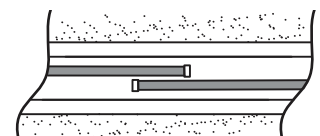
MLR3-1-FT
Flush Tile
Shown with Flush Lens



MLR3-1-TT
Tegular Tile
Shown with Regress Lens



MLR3-1-SG
Screw Slot Grid
Shown with Parabolic Baffle



Staggered Lamping - 1 Lp

