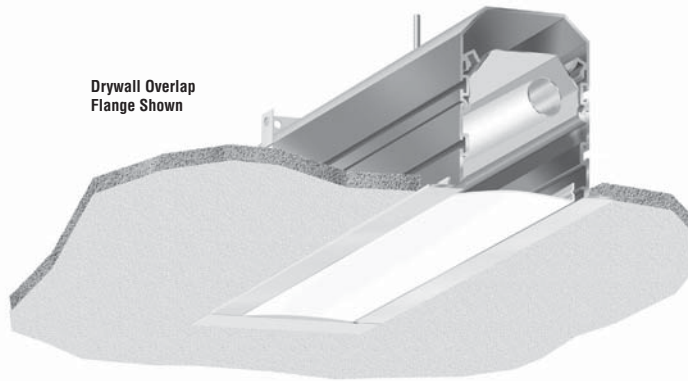


Catalog Number	Type
Project Name	

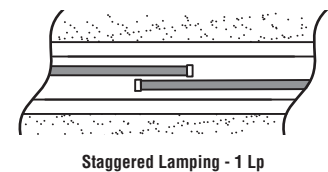
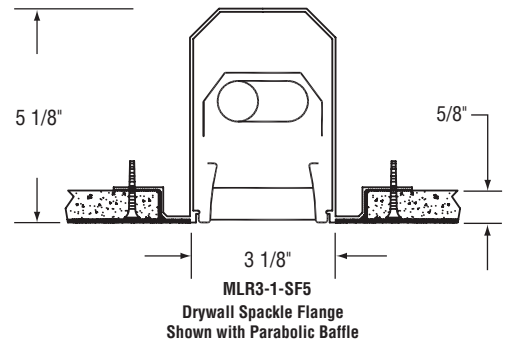
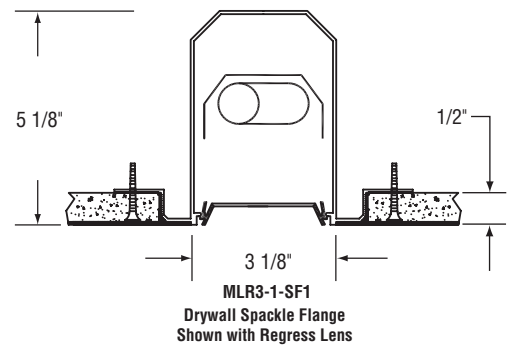
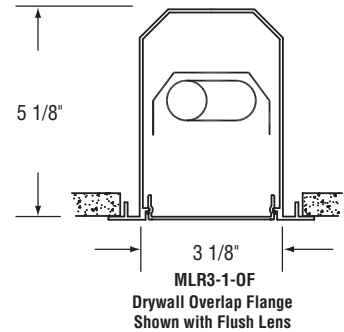
# Microlinea™ Recessed Series 3-Fluorescent

(3 1/8" Luminous Aperture)



## 1/2" or 5/8" Thick Drywall Ceilings

(1 - T8 Lamp)



### S P E C I F I C A T I O N S

#### Housing

Three piece extruded aluminum available in single sections up to 8' long in 2' increments. Standard flange finish is satin white.

#### Optical Controls

- (PB) 3/4" deep semi-specular aluminum parabolic baffle with blades on 1 1/2" centers
- (PBW) 3/4" deep white aluminum parabolic baffle with blades on 1 1/2" centers
- (LP) Flush clear extruded DR acrylic linear prismatic lens
- (TWA) Flush translucent white extruded DR acrylic lens
- (FC) Flush frosted clear extruded DR acrylic lens
- (RTWA) Regressed translucent white DR acrylic lens

#### Staggered Lamping

Staggered lamping is standard for all continuous rows. See Microlinea Row Guide Section.

#### Reflectors

Die-formed from .020" thick aluminum and finished with a high reflectance white enamel.

#### Ballast

Standard ballasts for T8 lamps are UL/CUL listed, Class P, HPF, electronic, universal 120/277volt, instant start with <10% THD.

#### Circuitry

All fixtures are factory pre-wired for a single circuit. Provision for multiple switching/circuiting is optional.

#### Wiring

All fixtures intended for continuous rows are provided with factory installed quick-connect wiring.

#### Integral Controls

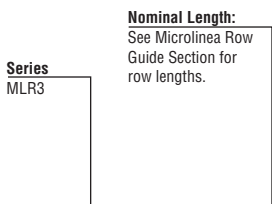
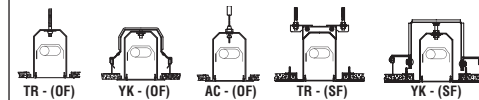
Contact factory for daylight and/or occupancy sensor controls.

#### Certification

All fixtures are UL/CUL listed for use in 'Dry Applications'. 'Damp Location' is optional.

#### Mountings

- TR = 1/4-20 Threaded Rod (By others) - (OF)
- YK = Snap-in Yoke - (OF)
- AC = Adjustable Aircraft Cable - (OF)
- TR = 1/4-20 Threaded Rod (By others) - (SF)
- YK = Adjustable Yoke - (SF)



## MLR3-1-18'-OF-YK-PB-120-T8-[ ]

# of Lamps	Ceiling Type	Optical Controls	Voltage	Lamp Type	Options	Dim
1	OF Drywall Overlap Flange	PB Semi-Specular Parabolic Baffle	120	T8	NLCKT Night Light Circuit (Common Neutral) (N/A for 2' or 3')	Dimming
	SF1 Spackle Flange w/1/2" Drywall	PBW White Parabolic Baffle	277		EMCKT Emergency Circuit (Separate Hot & Neutral) (N/A for 2' or 3')	FS Fused Ballasts
	SF5 Spackle Flange w/5/8" Drywall	LP Linear Prismatic Lens	347		EBPL Emergency Battery Pack (635-700 Lumens) (N/A for 2' or 3')	GTD Generator Transfer Device (N/A for 2' or 3')
		TWA Translucent White Acrylic Lens			EBPH Emergency Battery Pack (975-1325 Lumens) (N/A for 2' or 3')	CP Chicago Plenum
		FC Frosted Clear Lens				DL Damp Location
		RTWA Regressed Translucent White Acrylic Lens				RS Rapid Start Ballast

