

Microlinea™ Recessed Series 2, 3 & 5 - LED

(1 7/8", 2 7/8" and 4 7/8" Luminous Apertures)



CatalogNumber	Type
Project Name	

Lighted Horizontal Corners - (Drywall and Grid Ceilings)



Horizontal extruded aluminum 90° corners are available for use when ceiling mounted patterns are desired. Series 2, Series 3 and Series 5 corners are available in nominal 2' x 2' long continuously lit configurations.

See reverse for dimensions.

S P E C I F I C A T I O N S

Housing

Three piece extruded aluminum, mitered and secured together to form a nominal 2' x 2' continuously lit 90° corner.

Optical Controls

(Lenses mitered to provide a continuous transition through the corner.)

Clear co-extruded 100% D.R. acrylic lens with high transmittance diffusing insert.

Reflector/Heat Sink

.060 thick die-formed aluminum finished with a high reflectance white enamel.

Circuitry

All corner assemblies are factory pre-wired for a single circuit.

Wiring

All corner assemblies are provided with factory installed quick-connect wiring.

Driver

Osram-Sylvania "Optotronic" power supply is UL/CUL recognized, 0-10V dimming available, 120-277 universal voltage.

Light Engine

Osram-Sylvania LED strips available for 3000K, 3500K and 4000K CCT:

MLR2 - Series 2

HO -High Output (Values per 4'/4000K modules)
*2889 Total Delivered Lms. at 40 System Watts

MO -Medium Output (Values per 4'/4000K modules)
*1915 Total Delivered Lms. at 24 System Watts

MLR3 - Series 3

HO -High Output (Values per 4'/3500K modules)
*3117 Total Delivered Lms. at 40 System Watts

MO -Medium Output (Values per 4'/3500K modules)
*1984 Total Delivered Lms. at 24 System Watts

MLR5 - Series 5

HO -High Output (Values per 4'/3500K modules)
*3975 Total Delivered Lms. at 49 System Watts

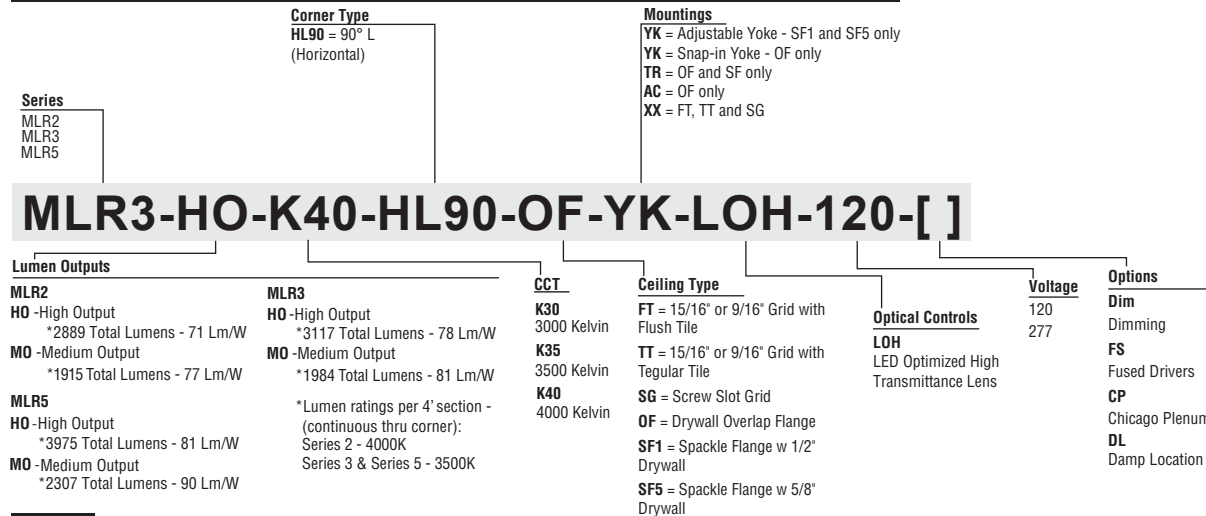
MO -Medium Output (Values per 4'/3500K modules)
*2307 Total Delivered Lms. at 26 System Watts

*Due to continued advancement in LED technology, lumen performance is subject to change. Please visit our website for the most up-to-date information.

Certification

All corner assemblies are ETL listed for use in 'Dry Applications'. 'Damp Location' is optional.

H O W T O O R D E R



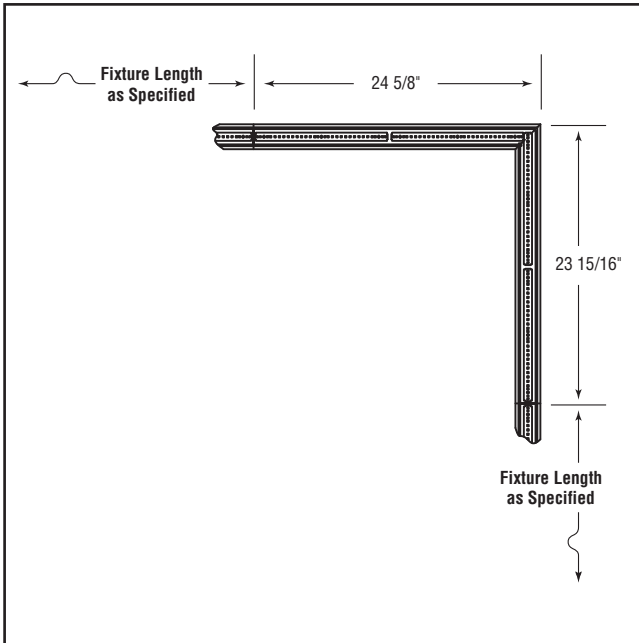
Precision Architectural Lighting 4830 Timber Creek Drive Houston, Texas 77017
Tel 713.946.4343 Fax 713.946.4441 www.pal-lighting.com



Made in America

Microlinea Recessed Series 2

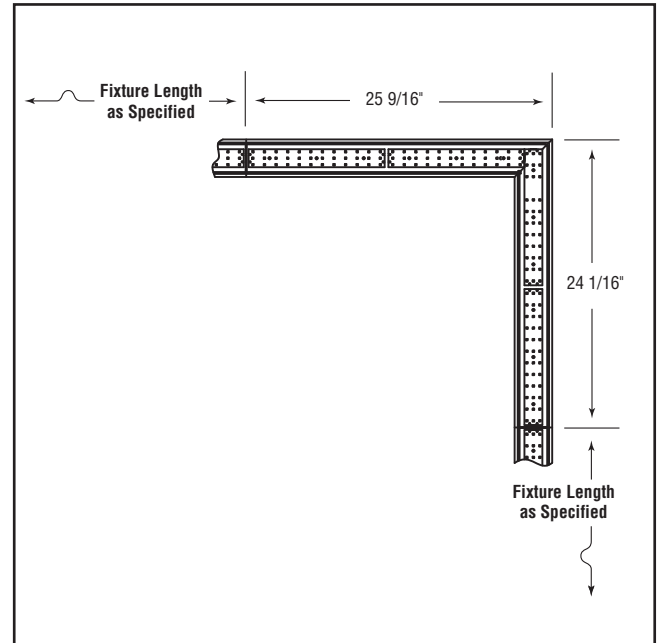
Lighted Horizontal Corners - LED



Lighted
Horizontal Corner
(Medium or High Output LED)

Microlinea Recessed Series 3

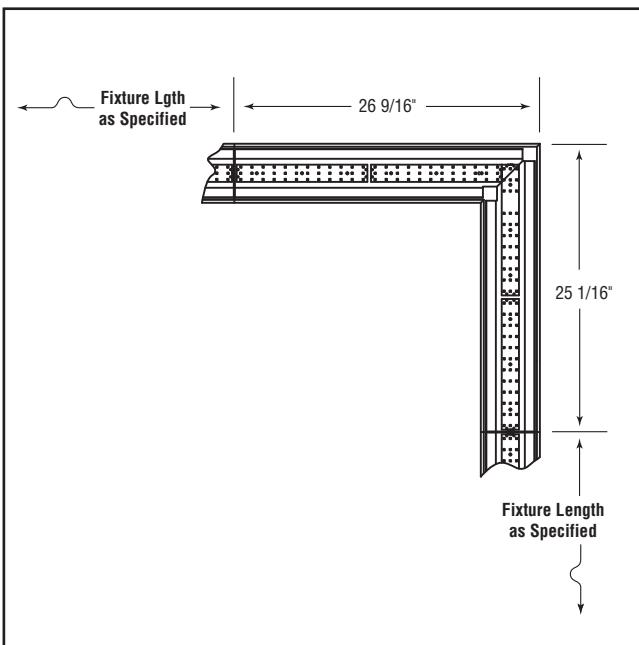
Lighted Horizontal Corners - LED



Lighted
Horizontal Corner
(Medium or High Output LED)

Microlinea Recessed Series 5

Lighted Horizontal Corners - LED



Lighted
Horizontal Corner
(Medium or High Output LED)

Consult Factory for exact luminaire placement.



Precision Architectural Lighting 4830 Timber Creek Drive Houston, Texas 77017
Tel 713.946.4343 Fax 713.946.4441 www.pal-lighting.com



Made in America