



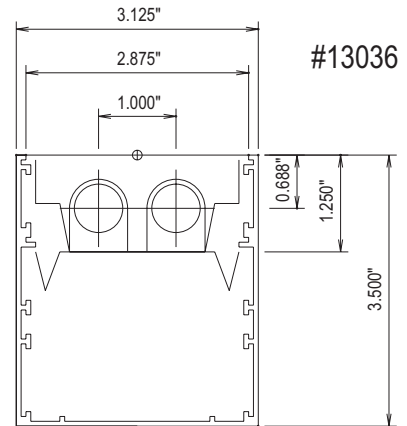
LUMINAIRE TESTING LABORATORY, INC.

SUSTAINING MEMBER
of the
IESNA

905 Harrison Street · Allentown, PA 18103 · 610-770-1044 · Fax 610-770-8912 · www.LuminaireTesting.com

LTL NUMBER: 13036 DATE: 04-18-2008
 PREPARED FOR: PRECISION ARCHITECTURAL LIGHTING
 CATALOG NUMBER: MLS-I2-4-X-OP-X-120-T5
 LUMINAIRE: EXTRUDED ALUMINUM HOUSING, FORMED SPECULAR ALUMINUM REFLECTOR, OPEN TOP.
 LAMPS: TWO 28 WATT T5 LINEAR FLUORESCENT LAMPS RATED AT 2610 LUMENS EACH.
 LAMP CATALOG NUMBER: PHILIPS F28T5/835/ALTO
 BALLAST: ONE ADVANCE ICN-2S28
 MOUNTING: PENDANT

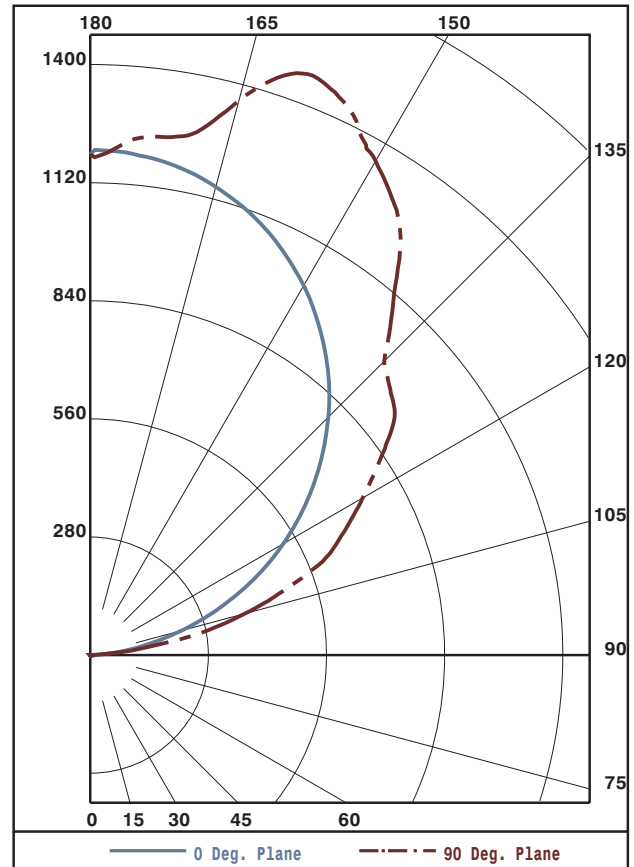
LUMEN TO CANDELA RATIO USED = 9.18
 TOTAL INPUT WATTS = 61.2 AT 120.0 VOLTS
 THE 0 DEGREE PLANE IS PARALLEL WITH THE LAMPS.



CANDELA DISTRIBUTION						FLUX
0.0	22.5	45.0	67.5	90.0		
90	0	0	0	0	0	
95	47	86	71	66	62	80
105	223	314	374	378	379	359
115	429	544	592	632	652	574
125	623	833	774	846	852	715
135	798	1068	1072	1000	985	778
145	947	1141	1281	1273	1271	751
155	1066	1142	1379	1434	1438	599
165	1149	1197	1242	1324	1362	357
175	1192	1191	1219	1228	1229	116
180	1188	1188	1188	1188	1188	

ZONAL LUMEN SUMMARY			
ZONE	LUMENS	%LAMP	%FIXT
0- 90	0	0.0	0.0
90-120	1013	19.4	23.4
90-130	1728	33.1	39.9
90-150	3257	62.4	75.2
90-180	4330	82.9	100.0
0-180	4330	82.9	100.0

TOTAL LUMINAIRE EFFICIENCY: 82.9%
 CIE TYPE: INDIRECT



Approved By: MG



LUMINAIRE TESTING LABORATORY, INC.

SUSTAINING MEMBER of the IESNA

905 Harrison Street · Allentown, PA 18103 · 610-770-1044 · Fax 610-770-8912 · www.LuminaireTesting.com

LTL NUMBER: 13036

DATE: 04-18-2008

PREPARED FOR: PRECISION ARCHITECTURAL LIGHTING

COEFFICIENTS OF UTILIZATION - ZONAL CAVITY METHOD
EFFECTIVE FLOOR CAVITY REFLECTANCE 0.20

Table with 18 columns (RC, RW, 80, 70, 50, 30, 10, 0) and 11 rows of utilization coefficients.

CANDELA DISTRIBUTION

Table with 6 columns (0.0, 22.5, 45.0, 67.5, 90.0) and 17 rows of candela distribution values.

ZONAL LUMEN SUMMARY

Table with 2 columns (90-95, 95-100, 100-105, 105-110, 110-115, 115-120, 120-125, 125-130, 130-135, 135-140, 140-145, 145-150, 150-155, 155-160, 160-165, 165-170, 170-175, 175-180) and 17 rows of zonal lumen summary values.

THIS TEST WAS CONDUCTED USING RELATIVE PHOTOMETRY TECHNIQUES ACCORDING TO STANDARD IESNA PROCEDURES. THE USER MUST THEREFORE USE CAUTION IN THE FOLLOWING SITUATIONS: 1) THIS TEST WAS PERFORMED USING A SPECIFIC BALLAST/LAMP COMBINATION. EXTRAPOLATION OF THESE DATA FOR OTHER BALLAST/LAMP COMBINATIONS MAY PRODUCE ERRONEOUS RESULTS. 2) ACCORDING TO IESNA PROCEDURES, THE BALLAST(S) AND LAMP(S) ARE PRESUMED TO PRODUCE 100% OF RATED OUTPUT. AN APPROPRIATE BALLAST FACTOR MUST BE APPLIED TO THE LUMEN OUTPUT RATINGS AND LUMINOUS INTENSITY VALUES GIVEN. 3) THIS TEST WAS CONDUCTED IN A CONTROLLED LABORATORY ENVIRONMENT WHERE THE AMBIENT TEMPERATURE WAS HELD AT 25°C ±1°C. FIELD PERFORMANCE MAY DIFFER PARTICULARLY IN REGARDS TO CHANGE IN LUMINOUS OUTPUT AS A RESULT OF DIFFERENCE IN AMBIENT TEMPERATURE AND METHOD OF MOUNTING THE LUMINAIRE.