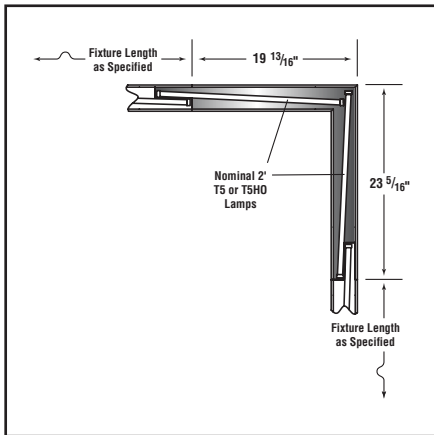


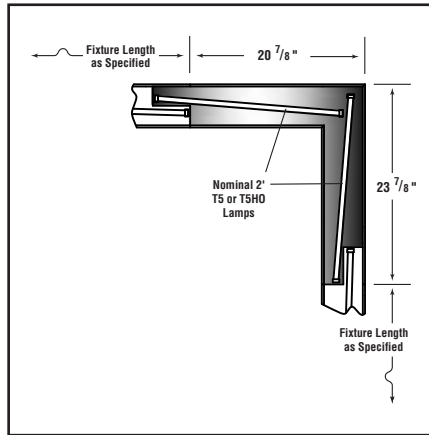
Microlinea Suspended Series 3 & 5

Lighted Corner Specifications - T5 & T5HO Lamps

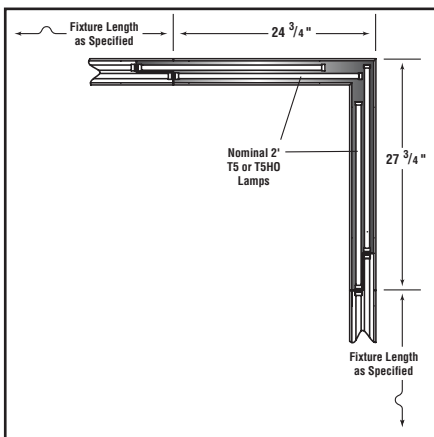
S P E C I F I C A T I O N S



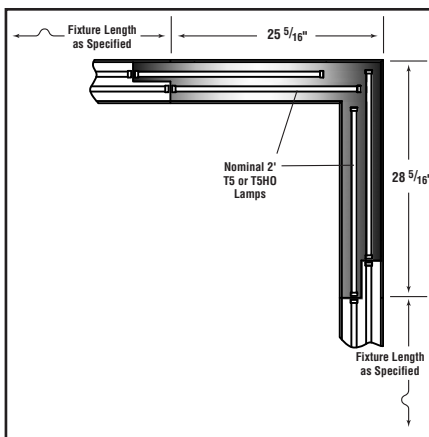
Microlinea Suspended Series 3
Lighted 90 Degree Corner
1 - T5 or T5HO lamp
(Direct Only or Indirect/Direct)



Microlinea Suspended Series 5
Lighted 90 Degree Corner
1 - T5 or T5HO lamp
(Direct Only or Indirect/Direct)



Microlinea Suspended Series 3
Lighted 90 Degree Corner
2 - T5 or T5HO lamps
(Direct Only or Indirect/Direct)



Microlinea Suspended Series 5
Lighted 90 Degree Corner
2 - T5 or T5HO lamps
(Direct Only or Indirect/Direct)

Extruded aluminum 90° mitered corners are available when surface or pendant mounted patterns are desired. Series 3 and Series 5 corners are available in nominal 2' x 2' long continuously lighted configurations.

*See corresponding Microlinea Suspended T5 and T5HO catalog pages for fixture specifications.

H O W T O O R D E R

Series

- MLS3-D1
- MLS3-D2
- MLS3-I1/D1
- MLS3-I2/D2
- MLS5-D1
- MLS5-D2
- MLS5-I1/D1
- MLS5-I2/D2

Corner Type

L90 = 90° Lit Corner

Mounting

- CN** = Cable (Non-Tbar) Fully Adjustable (36" Standard)
- P** = Rigid Stem (Up to 48" Standard) (Direct Only)
- K** = Swivel Stem (Up to 48" Standard) (Direct Only)
- J** = Ceiling

MLS3-I1/D1-STG-L90-CN-DC/LP-F01M-V-T5HO-[]

Lamp Configuration

STG
Staggered Lamps - T5, T5HO

Indirect Optical Controls

OP
Open
DC
Dust Cover
(N/A for T5HO)

Direct Optical Controls

LP
Linear Prismatic Lens
TWA
Translucent White Acrylic Lens
FC
Frosted Clear Lens

Standard Finishes

- F01M** Matte White
- Premium Finishes**
- F01G** Gloss White
- F02** Ivory
- F03** Stonewash
- F04** Camel
- F05** Gray Day
- F06** Pebble Beach
- F07** Steel
- F08** Gray Seal
- F09** Mocha
- F10** Bronzed
- F11G** Gloss Black
- F11M** Matte Black
- F12** Ultrasonic Clear
- F13** Merlot
- F14** Red Skies
- F15** Lemon
- F16** Forest Hunter
- F17** Olive
- F18** Khaki
- F19** Heather Green
- F20** Blue Print
- F21** Reflex Blue
- F22** Navy
- FCC** Custom Color

Voltage

120
277
347

Lamp Type

T5
T5HO

Options

- SS(U/L)** (Upper/Lower) Lamp Row Switching (Common Neutral)
- NLCKT**
Night Light Circuit (Common Neutral)
- EMCKT**
Emergency Circuit (Separate Hot & Neutral)
- Dim**
Dimming
- FS**
Fused Ballasts
- GTD**
Generator Transfer Device
- DL**
Damp Location

