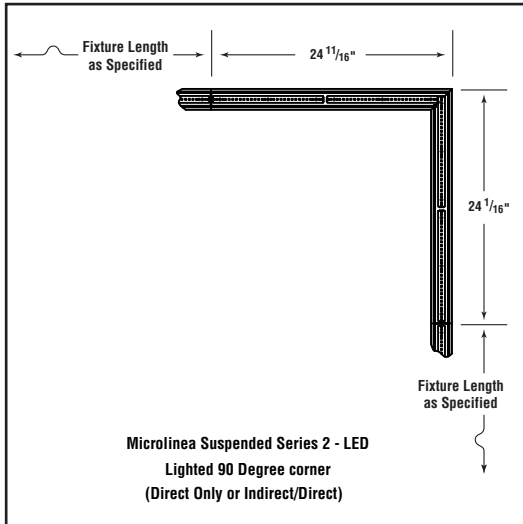


Microlinea Suspended Series 2, 3 & 5

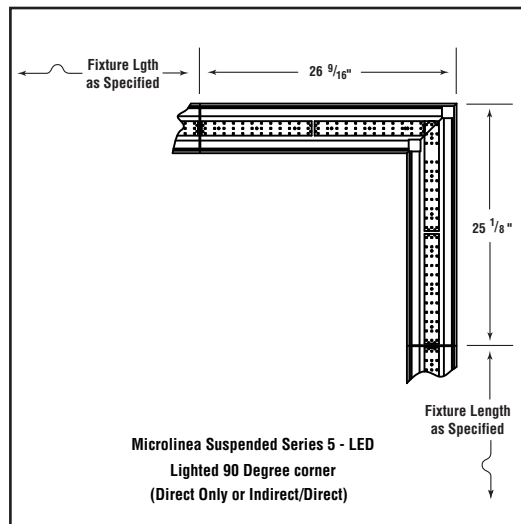
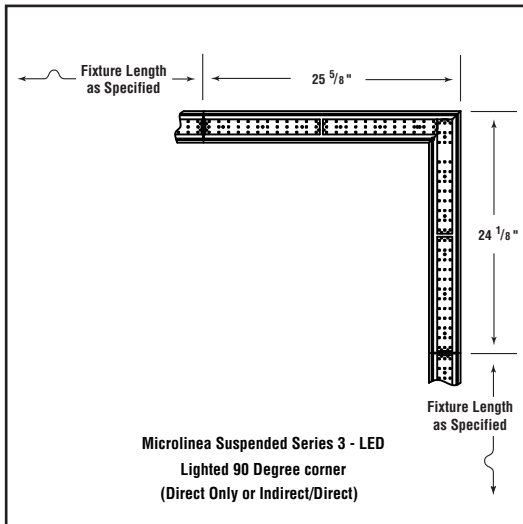
Lighted Corner Specifications - LED

S P E C I F I C A T I O N S



Extruded aluminum 90° mitered corners are available when surface or pendant mounted patterns are desired. Series 2, Series 3 and Series 5 corners are available in nominal 2' x 2' long continuously lighted configurations.

*See corresponding Microlinea Suspended LED catalog pages for fixture specifications.



H O W T O O R D E R

Series

- MLS2-D
- MLS3-D
- MLS5-D
- MLS2-1/D
- MLS3-1/D
- MLS5-1/D

CCT

- K30**
3000 Kelvin
- K35**
3500 Kelvin
- K40**
4000 Kelvin

Corner Type

- L90** = 90° Lit Corner

Mounting

- CN** = Cable (Non-Tbar) Fully Adjustable (36" Std)
- P** = Rigid Stem (Up to 48" Standard) (Direct Only)
- K** = Swivel Stem (Up to 48" Standard) (Direct Only)
- J** = Ceiling

Voltage

- 120
- 277

MLS3 - 1/D - HO/HO - K35 - L90 - CN - DC/LOH - F01M - V - []

Lumen Outputs - Direct Only & Indirect/Direct

Direct Only

- HO** - High Output: Series 2, Series 3, Series 5
- MO** - Med. Output: Series 2, Series 3, Series 5

Indirect/Direct

- MO/MO** - Med./Med. Outputs: Series 2, Series 3, Series 5
- MO/HO** - Med./High Outputs: Series 2, Series 3, Series 5
- HO/MO** - High/Med. Outputs: Series 2, Series 3, Series 5
- HO/HO** - High/High Outputs: Series 2, Series 3, Series 5

*See previous Microlinea Suspended LED catalog pages for Total Lumen Outputs and Lumens/Watt information.

Indirect Optical Controls

- OP**
Open
- DC**
Frosted Dust Cover

Direct Optical Controls

- LOH**
LED Optimized High Transmittance Lens

Standard Finishes

- F01M** Matte White
- F01** Gloss White
- F02** Ivory
- F03** Stonewash
- F04** Camel
- F05** Gray Day
- F06** Pebble Beach
- F07** Steel
- F08** Gray Seal
- F09** Mocha
- F10** Bronzed
- F11G** Gloss Black
- F11M** Matte Black
- F12** Ultrasonic Clear
- F13** Merlot
- F14** Red Skies
- F15** Lemon
- F16** Forest Hunter
- F17** Olive
- F18** Khaki
- F19** Heather Green
- F20** Blue Print
- F21** Reflex Blue
- F22** Navy
- FCC** Custom Color

Options

- SS(U/L)** (Upper/Lower) LED Row Switching (Common Neutral)
- NLCKT**
Night Light Circuit (Common Neutral)
- EMCKT**
Emergency Circuit (Separate Hot & Neutral)
- Dim**
Dimming

- FS**
Fused Drivers
- DL**
Damp Location

