



LTL NUMBER: 07745 DATE: 11-03-2003
PREPARED FOR: PRECISION ARCHITECTURAL LIGHTING
CATALOG NUMBER: LMPI/D03-PH-SE-WR-4-W-PB-F01M-120-T5HO/T5HO
LUMINAIRE: EXTRUDED ALUMINUM HOUSING WITH PERFORATED SECTION AND TRANSLUCENT WHITE ACRYLIC INSERT, FORMED WHITE ENAMEL ALUMINUM REFLECTORS, 32 CELL, 3/4" DEEP, FORMED SEMI-SPECULAR ALUMINUM LOUVER, OPEN TOP.
LAMPS: THREE 54 WATT HIGH OUTPUT T5 LINEAR FLUORESCENT LAMPS RATED AT 4400 LUMENS EACH.
LAMP CATALOG NUMBER: SYLVANIA FP54/830/HO
BALLASTS: TWO MAGNETEK/UNIVERSAL LIGHTING TECHNOLOGIES B254PUNV-D
NOTE: THIS TEST WAS CALCULATED USING MEASURED DATA FROM LTL TEST NUMBERS 06292 AND 07741.
MOUNTING: WALL

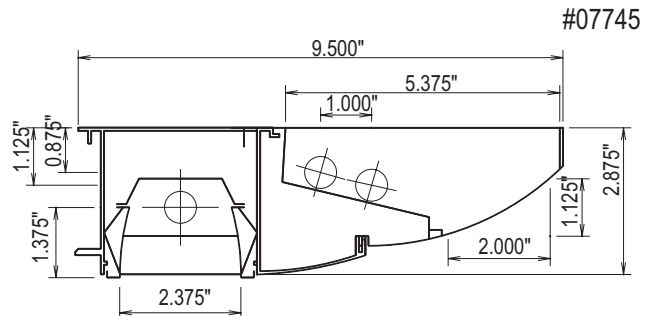
LUMEN TO CANDELA RATIO USED = 9.18
TOTAL INPUT WATTS =171.6 AT 120.0 VOLTS
THE 0 DEGREE PLANE IS PERPENDICULAR TO THE LAMPS.

Table with columns: CANDELA DISTRIBUTION, FLUX. Rows show light distribution data at various angles from 0 to 180 degrees.

ZONAL LUMEN SUMMARY

Table with columns: ZONE, LUMENS, %LAMP, %FIXT. Rows show lumen and fixture percentages for various zones.

TOTAL LUMINAIRE EFFICIENCY: 73.6%
TOTAL REFLECTANCE OF PAINT: 90.4%
CIE TYPE: SEMI-INDIRECT
PLANE: 0-DEG 90-DEG 180-DEG
SPACING CRITERIA: 1.6 1.2 1.5
SHIELDING ANGLES: 41 27



TESTED BY HERSCHEL SCHRECK
CHECKED BY MIKE GRATHER



LTL NUMBER: 07745

DATE: 11-03-2003

PREPARED FOR: PRECISION ARCHITECTURAL LIGHTING

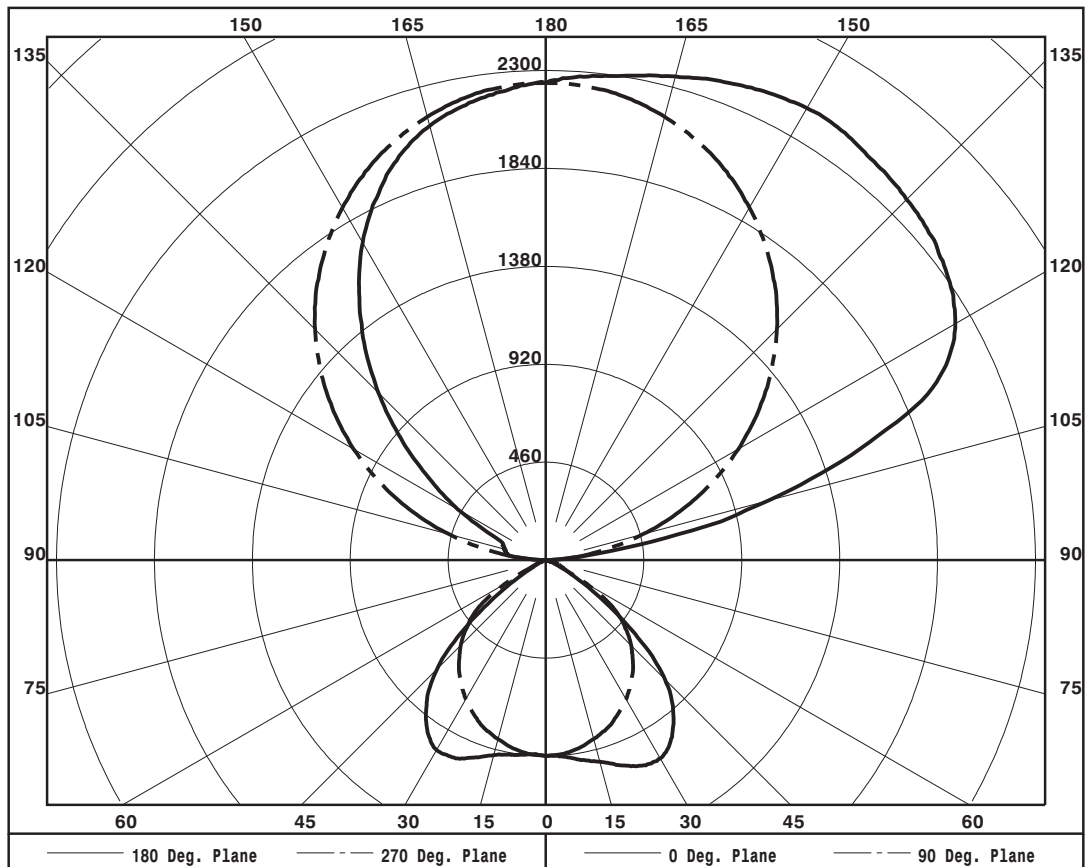
ZONAL LUMEN SUMMARY

0- 5	22.
5- 10	66.
10- 15	109.
15- 20	152.
20- 25	193.
25- 30	232.
30- 35	263.
35- 40	280.
40- 45	281.
45- 50	258.
50- 55	207.
55- 60	137.
60- 65	66.
65- 70	30.
70- 75	18.
75- 80	14.
80- 85	9.
85- 90	8.
90- 95	25.
95-100	138.
100-105	275.
105-110	390.
110-115	483.
115-120	552.
120-125	601.
125-130	631.
130-135	645.
135-140	641.
140-145	618.
145-150	577.
150-155	518.
155-160	444.
160-165	358.
165-170	262.
170-175	160.
175-180	54.

PLANE:	0-DEG	90-DEG
LUMINOUS LENGTH:	4.375	47.750
HEIGHT OF SIDE:	1.125	0.000

LUMINANCE IN CANDELA PER SQUARE METER

ANGLE IN DEG	AVERAGE 0-DEG	AVERAGE 45-DEG	AVERAGE 90-DEG
0	8364.	8364.	8364.
45	6552.	7078.	7324.
55	2910.	4563.	6093.
65	933.	1484.	1529.
75	538.	556.	738.
85	412.	437.	835.







LTL NUMBER: 07745

DATE: 11-03-2003

PREPARED FOR: PRECISION ARCHITECTURAL LIGHTING

COEFFICIENTS OF UTILIZATION - ZONAL CAVITY METHOD

EFFECTIVE FLOOR CAVITY REFLECTANCE 0.20

Table with columns for RC, RW, and various reflectance values (80, 70, 50, 30, 10, 0) and rows for different cavity ratios (0-10).

NOTE: THE ZONAL CAVITY CALCULATION TECHNIQUE IS ACCURATE WHEN LUMINAIRES WITH SYMMETRIC CANDELA DISTRIBUTIONS ARE EMPLOYED AND WHEN THE LUMINAIRES ARE LOCATED SYMMETRICALLY THROUGHOUT THE ROOM. THIS UNIT HAS SPECIAL CHARACTERISTICS AND THEREFORE THESE COEFFICIENTS SHOULD BE USED WITH CAUTION.

THIS TEST WAS CONDUCTED USING RELATIVE PHOTOMETRY TECHNIQUES ACCORDING TO STANDARD IESNA PROCEDURES. THE USER MUST THEREFORE USE CAUTION IN THE FOLLOWING SITUATIONS: 1) THIS TEST WAS PERFORMED USING A SPECIFIC BALLAST/LAMP COMBINATION. EXTRAPOLATION OF THESE DATA FOR OTHER BALLAST/LAMP COMBINATIONS MAY PRODUCE ERRONEOUS RESULTS. 2) ACCORDING TO IESNA PROCEDURES, THE BALLAST(S) AND LAMP(S) ARE PRESUMED TO PRODUCE 100% OF RATED OUTPUT. AN APPROPRIATE BALLAST FACTOR MUST BE APPLIED TO THE LUMEN OUTPUT RATINGS AND LUMINOUS INTENSITY VALUES GIVEN. 3) THIS TEST WAS CONDUCTED IN A CONTROLLED LABORATORY ENVIRONMENT WHERE THE AMBIENT TEMPERATURE WAS HELD AT 25 C ± 1 C. FIELD PERFORMANCE MAY DIFFER PARTICULARLY IN REGARDS TO CHANGE IN LUMINOUS OUTPUT AS A RESULT OF DIFFERENCE IN AMBIENT TEMPERATURE AND METHOD OF MOUNTING THE LUMINAIRE.



LUMINAIRE TESTING LABORATORY, INC.



905 Harrison Street · Allentown, PA 18103 · (610) 770-1044 · Fax (610) 770-8912 · www.LuminaireTesting.com

INITIAL ILLUMINATION OF 50 FOOTCANDLES USING LTL TEST NUMBER 07745  
 LUMINAIRE SUSPENSION LENGTH = 1.5  
 WORKING PLANE HEIGHT = 2.50  
 FLOOR REFLECTANCE = 20

ROOM HT		8				9				10				12			
CEIL RF	WALL RF	80	50	70	30	80	50	70	30	80	50	70	30	80	50	70	30
WIDTH	LENGTH																
10.	10.	1	1	1	2	1	1	2	2	1	2	2	2	2	2	2	2
10.	15.	2	2	2	2	2	2	2	2	2	2	2	2	2	2	2	3
15.	20.	2	3	3	3	2	3	3	3	3	3	3	3	3	3	4	4
15.	30.	3	3	4	4	3	4	4	4	3	4	4	5	4	4	5	5
20.	20.	3	3	3	4	3	3	4	4	3	3	4	4	3	4	4	5
20.	30.	4	4	5	5	4	4	5	5	4	5	5	6	5	5	6	6
20.	40.	5	5	6	6	5	6	6	7	5	6	7	7	6	6	7	8
20.	60.	7	8	9	9	8	8	9	9	8	8	9	10	8	9	10	11
30.	30.	6	6	7	7	6	6	7	7	6	6	7	8	6	7	8	8
30.	40.	7	8	8	9	7	8	9	9	8	8	9	10	8	9	10	10
30.	50.	9	9	10	11	9	10	11	11	9	10	11	12	10	11	12	13
30.	60.	11	11	12	13	11	11	13	13	11	12	13	14	11	12	14	15
60.	60.	20	20	23	23	20	21	23	24	21	21	24	25	21	22	25	26
60.	80.	26	27	30	31	27	27	31	31	27	28	31	32	28	29	32	34
60.	100.	32	33	37	38	33	34	38	39	33	34	39	40	34	36	40	41
100.	100.	53	54	61	62	54	55	61	63	54	55	62	64	55	57	64	66

QUANTITY OF LUMINAIRES