

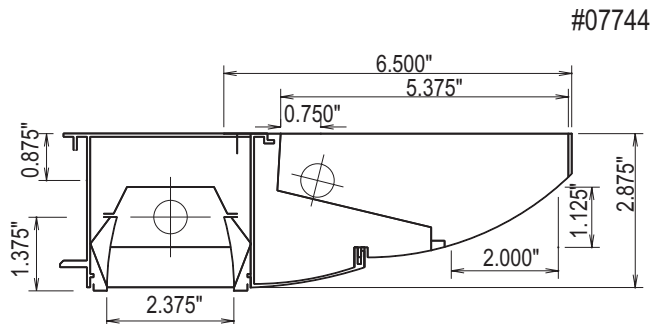


LTL NUMBER: 07744 DATE: 11-03-2003
PREPARED FOR: PRECISION ARCHITECTURAL LIGHTING
CATALOG NUMBER: LMPI/D02-PH-SE-WR-4-W-PB-F01M-120-T5HO/T5HO
LUMINAIRE: EXTRUDED ALUMINUM HOUSING WITH PERFORATED SECTION AND TRANSLUCENT WHITE ACRYLIC INSERT, FORMED WHITE ENAMEL ALUMINUM REFLECTORS, 32 CELL, 3/4" DEEP, FORMED SEMI-SPECULAR ALUMINUM LOUVER, OPEN TOP.
LAMPS: TWO 54 WATT HIGH OUTPUT T5 LINEAR FLUORESCENT LAMPS RATED AT 4400 LUMENS EACH.
LAMP CATALOG NUMBER: SYLVANIA FP54/830/HO
BALLASTS: TWO MAGNETEK/UNIVERSAL LIGHTING TECHNOLOGIES B254PUNV-D
NOTE: THIS TEST WAS CALCULATED USING MEASURED DATA FROM LTL TEST NUMBERS 06293 AND 07741.
MOUNTING: WALL
LUMEN TO CANDELA RATIO USED = 9.18
TOTAL INPUT WATTS =119.0 AT 120.0 VOLTS
THE 0 DEGREE PLANE IS PERPENDICULAR TO THE LAMPS.

Table with columns: CANDELA DISTRIBUTION (0.0 to 180.0) and FLUX (86 to 104). Rows show light distribution data at various angles.

ZONAL LUMEN SUMMARY

Table with columns: ZONE, LUMENS, %LAMP, %FIXT. Rows show lumen and lamp percentages for various zones from 0-30 to 0-180.



TOTAL LUMINAIRE EFFICIENCY: 69.6%
TOTAL REFLECTANCE OF PAINT: 90.4%
CIE TYPE: SEMI-INDIRECT
PLANE: 0-DEG 90-DEG 180-DEG
SPACING CRITERIA: 1.6 1.2 1.6
SHIELDING ANGLES: 41 27

TESTED BY HERSCHEL SCHRECK
CHECKED BY MIKE GRATHER



LTL NUMBER: 07744

DATE: 11-03-2003

PREPARED FOR: PRECISION ARCHITECTURAL LIGHTING

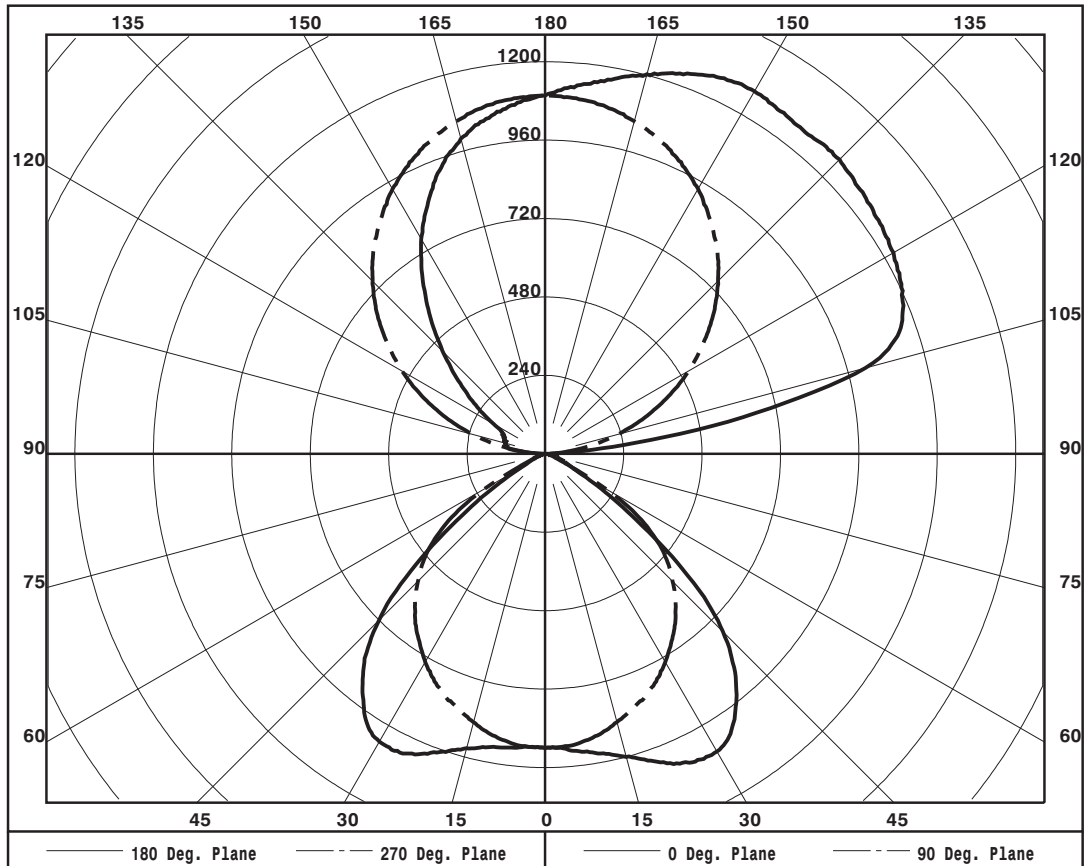
ZONAL LUMEN SUMMARY

0- 5	22.
5- 10	65.
10- 15	107.
15- 20	148.
20- 25	190.
25- 30	228.
30- 35	258.
35- 40	275.
40- 45	275.
45- 50	253.
50- 55	202.
55- 60	133.
60- 65	62.
65- 70	27.
70- 75	15.
75- 80	11.
80- 85	7.
85- 90	5.
90- 95	23.
95-100	122.
100-105	205.
105-110	245.
110-115	264.
115-120	282.
120-125	300.
125-130	311.
130-135	316.
135-140	313.
140-145	302.
145-150	282.
150-155	255.
155-160	218.
160-165	176.
165-170	129.
170-175	78.
175-180	26.

PLANE:	0-DEG	90-DEG
LUMINOUS LENGTH:	4.375	47.750
HEIGHT OF SIDE:	1.125	0.000

LUMINANCE IN CANDELA PER SQUARE METER

ANGLE IN DEG	AVERAGE 0-DEG	AVERAGE 45-DEG	AVERAGE 90-DEG
0	8191.	8191.	8191.
45	6362.	6865.	7105.
55	2716.	4380.	5887.
65	766.	1285.	1357.
75	423.	428.	563.
85	327.	323.	940.





LTL NUMBER: 07744

DATE: 11-03-2003

PREPARED FOR: PRECISION ARCHITECTURAL LIGHTING

COEFFICIENTS OF UTILIZATION - ZONAL CAVITY METHOD

EFFECTIVE FLOOR CAVITY REFLECTANCE 0.20

RC	80				70				50			30			10			0
	70	50	30	10	70	50	30	10	50	30	10	50	30	10	50	30	10	0
0	72	72	72	72	66	66	66	66	53	53	53	42	42	42	31	31	31	26
1	67	64	62	59	61	58	56	54	47	46	45	38	37	36	28	28	27	23
2	61	57	53	50	56	52	49	46	42	40	38	34	32	31	26	25	24	21
3	56	51	46	42	51	46	42	39	38	35	33	31	29	27	24	22	21	18
4	52	45	40	36	47	41	37	34	34	31	29	27	25	24	21	20	19	16
5	48	40	35	31	43	37	32	29	31	27	25	25	22	21	19	18	17	14
6	44	36	31	27	40	33	28	25	27	24	21	22	20	18	17	16	15	12
7	40	32	27	23	37	30	25	22	25	21	19	20	18	16	16	14	13	11
8	37	29	24	20	34	27	22	19	22	19	16	18	15	14	14	12	11	9
9	34	26	21	18	31	24	19	16	20	17	14	16	14	12	13	11	10	8
10	32	24	19	16	29	22	17	14	18	15	12	15	12	10	11	10	8	7

NOTE: THE ZONAL CAVITY CALCULATION TECHNIQUE IS ACCURATE WHEN LUMINAIRES WITH SYMMETRIC CANDELA DISTRIBUTIONS ARE EMPLOYED AND WHEN THE LUMINAIRES ARE LOCATED SYMMETRICALLY THROUGHOUT THE ROOM. THIS UNIT HAS SPECIAL CHARACTERISTICS AND THEREFORE THESE COEFFICIENTS SHOULD BE USED WITH CAUTION.

THIS TEST WAS CONDUCTED USING RELATIVE PHOTOMETRY TECHNIQUES ACCORDING TO STANDARD IESNA PROCEDURES. THE USER MUST THEREFORE USE CAUTION IN THE FOLLOWING SITUATIONS: 1) THIS TEST WAS PERFORMED USING A SPECIFIC BALLAST/LAMP COMBINATION. EXTRAPOLATION OF THESE DATA FOR OTHER BALLAST/LAMP COMBINATIONS MAY PRODUCE ERRONEOUS RESULTS. 2) ACCORDING TO IESNA PROCEDURES, THE BALLAST(S) AND LAMP(S) ARE PRESUMED TO PRODUCE 100% OF RATED OUTPUT. AN APPROPRIATE BALLAST FACTOR MUST BE APPLIED TO THE LUMEN OUTPUT RATINGS AND LUMINOUS INTENSITY VALUES GIVEN. 3) THIS TEST WAS CONDUCTED IN A CONTROLLED LABORATORY ENVIRONMENT WHERE THE AMBIENT TEMPERATURE WAS HELD AT 25 C ± 1 C. FIELD PERFORMANCE MAY DIFFER PARTICULARLY IN REGARDS TO CHANGE IN LUMINOUS OUTPUT AS A RESULT OF DIFFERENCE IN AMBIENT TEMPERATURE AND METHOD OF MOUNTING THE LUMINAIRE.



LUMINAIRE TESTING LABORATORY, INC.



905 Harrison Street · Allentown, PA 18103 · (610) 770-1044 · Fax (610) 770-8912 · www.LuminaireTesting.com

INITIAL ILLUMINATION OF 50 FOOTCANDLES USING LTL TEST NUMBER 07744
 LUMINAIRE SUSPENSION LENGTH = 1.5
 WORKING PLANE HEIGHT = 2.50
 FLOOR REFLECTANCE = 20

ROOM HT	CEIL RF	8				9				10				12			
		80	70	80	70	80	70	80	70	80	70	80	70	80	70		
WALL RF		70	50	50	30	70	50	50	30	70	50	50	30	70	50	50	30
WIDTH	LENGTH																
10.	10.	2	2	2	2	2	2	2	2	2	2	2	3	2	2	3	3
10.	15.	2	2	2	3	2	2	3	3	2	3	3	3	3	3	3	4
15.	20.	3	4	4	4	3	4	4	4	4	4	4	5	4	5	5	6
15.	30.	5	5	5	6	5	5	6	6	5	6	6	7	5	6	7	7
20.	20.	4	4	5	5	4	5	5	5	5	5	5	6	5	6	6	7
20.	30.	6	6	7	7	6	7	7	8	6	7	7	8	7	8	8	9
20.	40.	8	8	9	9	8	8	9	10	8	9	10	10	9	10	10	11
20.	60.	11	12	13	13	11	12	13	14	12	12	14	15	12	13	15	16
30.	30.	8	9	10	10	9	9	10	10	9	9	10	11	9	10	11	12
30.	40.	11	11	12	13	11	12	13	13	11	12	13	14	12	13	14	15
30.	50.	13	14	15	16	14	14	16	16	14	15	16	17	15	16	17	18
30.	60.	16	16	18	19	16	17	19	19	16	17	19	20	17	18	20	22
60.	60.	30	31	34	35	31	32	35	36	31	32	36	37	32	34	37	39
60.	80.	40	41	45	46	40	42	46	47	41	42	47	48	42	44	48	50
60.	100.	50	51	56	57	50	51	57	58	51	52	58	59	52	54	59	62
100.	100.	81	83	91	92	82	84	92	94	83	85	93	95	84	87	96	98

QUANTITY OF LUMINAIRES