



LTL NUMBER: 06295

DATE: 11-29-2001

PREPARED FOR: PRECISION ARCHITECTURAL LIGHTING

CATALOG NUMBER: LMP01-4-W-OP-X-120-T8

LUMINAIRE: EXTRUDED ALUMINUM HOUSING, FORMED WHITE ENAMEL ALUMINUM REFLECTOR, PERFORATED SECTION WITH TRANSLUCENT WHITE ACRYLIC INSERT, OPEN TOP.

LAMP: ONE PHILIPS F32T8/TL841 RATED AT 2850 LUMENS.

BALLAST: ONE ENERGY SAVINGS ES-2/1-T8-32/25/17/15-UNV-A-IS

MOUNTING: WALL

LUMEN TO CANDELA RATIO USED = 9.18

TOTAL INPUT WATTS = 30.5 AT 120.0 VOLTS

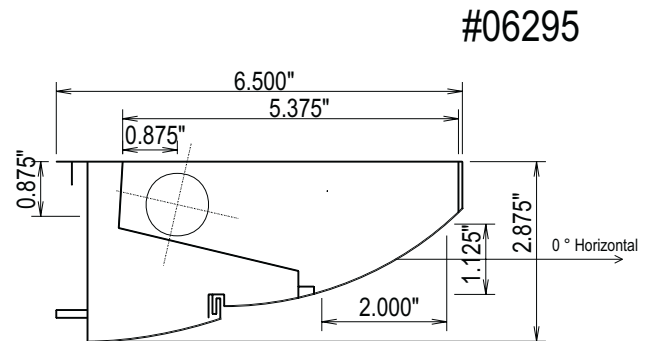
THE 0 DEGREE PLANE IS PERPENDICULAR TO THE LAMPS.

CANDELA DISTRIBUTION										FLUX
	0.0	22.5	45.0	67.5	90.0	112.5	135.0	157.5	180.0	
0	22	22	22	22	22	22	22	22	22	
5	23	26	26	25	23	22	21	20	20	2
15	28	29	28	26	21	20	20	19	19	7
25	28	30	29	24	22	21	16	13	12	10
35	31	32	28	22	22	16	13	12	12	13
45	31	30	23	23	14	15	8	5	7	12
55	24	23	22	15	13	7	5	5	4	12
65	24	22	16	14	6	5	4	3	0	10
75	16	15	13	7	5	4	4	0	0	7
85	13	11	7	7	5	0	0	0	0	6
90	8	6	6	5	0	0	0	0	0	
95	90	107	113	107	30	25	33	34	38	70
105	447	459	401	259	123	90	90	91	89	232
115	609	574	476	355	231	191	173	166	169	316
125	644	611	536	449	333	294	271	259	259	359
135	674	653	600	516	426	395	366	352	352	369
145	703	684	644	564	501	475	458	442	441	340
155	705	688	653	602	564	540	532	519	520	271
165	680	667	649	624	603	591	584	575	576	174
175	645	640	640	634	627	620	618	611	611	60
180	627	627	627	627	627	627	627	627	627	

ZONAL LUMEN SUMMARY

ZONE	LUMENS	%LAMP	%FIXT
0- 30	20	0.7	0.9
0- 40	32	1.1	1.4
0- 60	56	2.0	2.5
0- 90	79	2.8	3.5
90-120	618	21.7	27.2
90-130	977	34.3	43.1
90-150	1686	59.2	74.3
90-180	2191	76.9	96.5
0-180	2270	79.7	100.0

TOTAL LUMINAIRE EFFICIENCY: 79.7%
TOTAL REFLECTANCE OF PAINT: 90.4%
CIE TYPE: INDIRECT



TESTED BY HERSCHEL SCHRECK
CHECKED BY MIKE GRATHER



LTL NUMBER: 06295

DATE: 11-29-2001

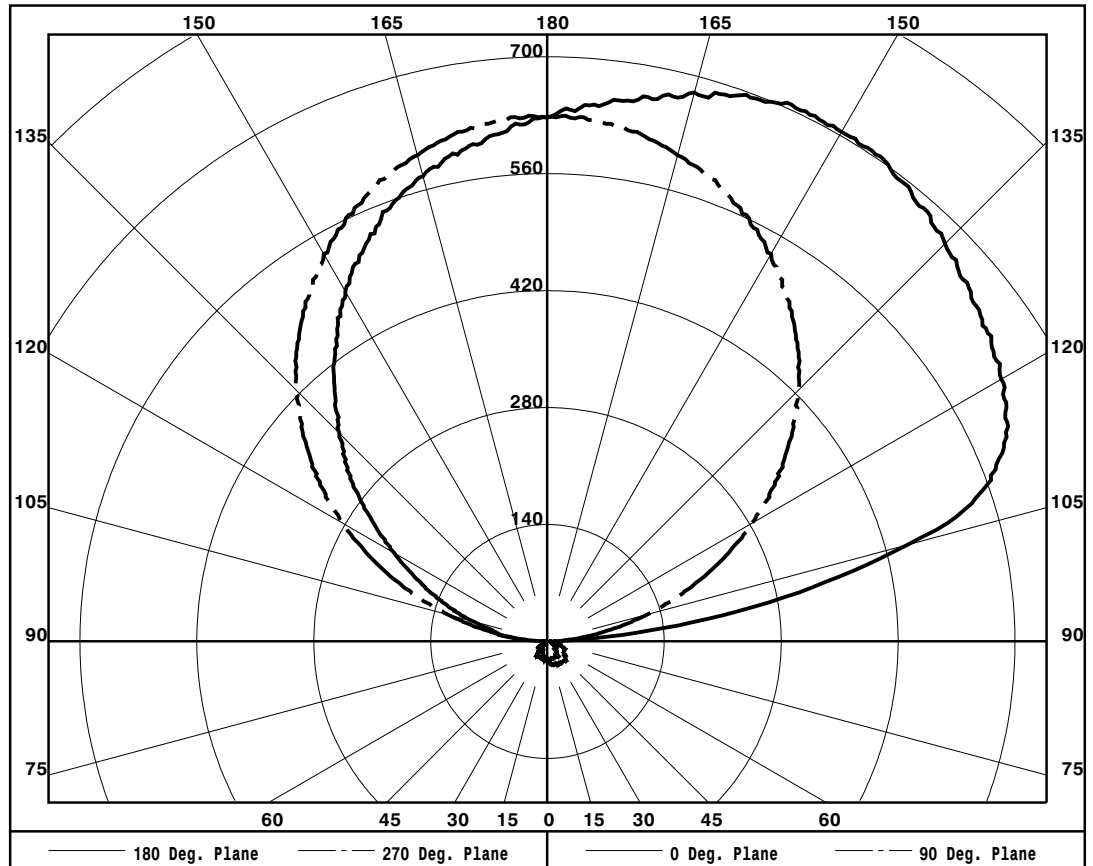
PREPARED FOR: PRECISION ARCHITECTURAL LIGHTING

ZONAL LUMEN SUMMARY

0- 5	1.
5- 10	2.
10- 15	3.
15- 20	4.
20- 25	5.
25- 30	5.
30- 35	6.
35- 40	7.
40- 45	6.
45- 50	6.
50- 55	6.
55- 60	6.
60- 65	5.
65- 70	5.
70- 75	4.
75- 80	3.
80- 85	3.
85- 90	2.
90- 95	12.
95-100	58.
100-105	100.
105-110	132.
110-115	151.
115-120	165.
120-125	176.
125-130	183.
130-135	185.
135-140	183.
140-145	176.
145-150	164.
150-155	146.
155-160	125.
160-165	101.
165-170	73.
170-175	45.
175-180	15.

PLANE:	0-DEG	90-DEG
LUMINOUS LENGTH:	2.000	46.500
HEIGHT OF SIDE:	1.125	0.000

LUMINANCE IN CANDELA PER SQUARE METER			
ANGLE	AVERAGE	AVERAGE	AVERAGE
IN DEG	0-DEG	45-DEG	90-DEG
0	599.	599.	599.
45	448.	407.	539.
55	338.	390.	618.
65	339.	293.	387.
75	234.	254.	526.
85	203.	151.	1563.





LTL NUMBER: 06295

DATE: 11-29-2001

PREPARED FOR: PRECISION ARCHITECTURAL LIGHTING

COEFFICIENTS OF UTILIZATION - ZONAL CAVITY METHOD

EFFECTIVE FLOOR CAVITY REFLECTANCE 0.20

Table with columns for RC (80, 70, 50, 30, 10, 0) and rows for RW (0-10). Values represent utilization coefficients.

NOTE: THE ZONAL CAVITY CALCULATION TECHNIQUE IS ACCURATE WHEN LUMINAIRES WITH SYMMETRIC CANDELA DISTRIBUTIONS ARE EMPLOYED AND WHEN THE LUMINAIRES ARE LOCATED SYMMETRICALLY THROUGHOUT THE ROOM. THIS UNIT HAS SPECIAL CHARACTERISTICS AND THEREFORE THESE COEFFICIENTS SHOULD BE USED WITH CAUTION.

THIS TEST WAS CONDUCTED USING RELATIVE PHOTOMETRY TECHNIQUES ACCORDING TO STANDARD IESNA PROCEDURES. THE USER MUST THEREFORE USE CAUTION IN THE FOLLOWING SITUATIONS: 1) THIS TEST WAS PERFORMED USING A SPECIFIC BALLAST/LAMP COMBINATION. EXTRAPOLATION OF THESE DATA FOR OTHER BALLAST/LAMP COMBINATIONS MAY PRODUCE ERRONEOUS RESULTS. 2) ACCORDING TO IESNA PROCEDURES, THE BALLAST(S) AND LAMP(S) ARE PRESUMED TO PRODUCE 100% OF RATED OUTPUT. AN APPROPRIATE BALLAST FACTOR MUST BE APPLIED TO THE LUMEN OUTPUT RATINGS AND LUMINOUS INTENSITY VALUES GIVEN. 3) THIS TEST WAS CONDUCTED IN A CONTROLLED LABORATORY ENVIRONMENT WHERE THE AMBIENT TEMPERATURE WAS HELD AT 25°C ±1°C. FIELD PERFORMANCE MAY DIFFER PARTICULARLY IN REGARDS TO CHANGE IN LUMINOUS OUTPUT AS A RESULT OF DIFFERENCE IN AMBIENT TEMPERATURE AND METHOD OF MOUNTING THE LUMINAIRE.



LUMINAIRE TESTING LABORATORY, INC.



905 Harrison Street · Allentown, PA 18103 · (610) 770-1044 · Fax (610) 770-8912 · www.LuminaireTesting.com

INITIAL ILLUMINATION OF 50 FOOTCANDLES USING LTL TEST NUMBER 06295
LUMINAIRE SUSPENSION LENGTH = 1.5
WORKING PLANE HEIGHT = 2.50
FLOOR REFLECTANCE = 20

Table with columns for ROOM HT, CEIL RF, WALL RF, WIDTH, and LENGTH, and rows for room dimensions (10, 15, 20, 30, 60, 100) and ceiling/wall reflectance (80, 70).

QUANTITY OF LUMINAIRES