



LTL NUMBER: 06293

DATE: 11-29-2001

PREPARED FOR: PRECISION ARCHITECTURAL LIGHTING

CATALOG NUMBER: LMP01-4-W-OP-X-120-T5HO

LUMINAIRE: EXTRUDED ALUMINUM HOUSING, FORMED WHITE ENAMEL ALUMINUM REFLECTOR, PERFORATED SECTION WITH TRANSLUCENT WHITE ACRYLIC INSERT, OPEN TOP.

LAMP: ONE SYLVANIA FP54/830/HO RATED AT 4400 LUMENS.

BALLAST: ONE MAGNETEK B254PUNV-D

MOUNTING: WALL

LUMEN TO CANDELA RATIO USED = 9.18

TOTAL INPUT WATTS = 68.0 AT 120.0 VOLTS

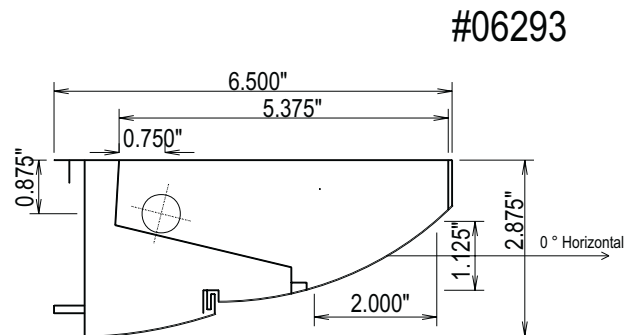
THE 0 DEGREE PLANE IS PERPENDICULAR TO THE LAMPS.

Table with columns: CANDELA DISTRIBUTION (0.0 to 180.0) and FLUX (4 to 144). Rows show candlepower values for various beam angles.

ZONAL LUMEN SUMMARY

Table with columns: ZONE, LUMENS, %LAMP, %FIXT. Rows show lumen and lamp percentages for various beam zones.

TOTAL LUMINAIRE EFFICIENCY: 90.4%
TOTAL REFLECTANCE OF PAINT: 90.4%
CIE TYPE: INDIRECT



#06293

TESTED BY HERSCHEL SCHRECK
CHECKED BY MIKE GRATHER



LTL NUMBER: 06293

DATE: 11-29-2001

PREPARED FOR: PRECISION ARCHITECTURAL LIGHTING

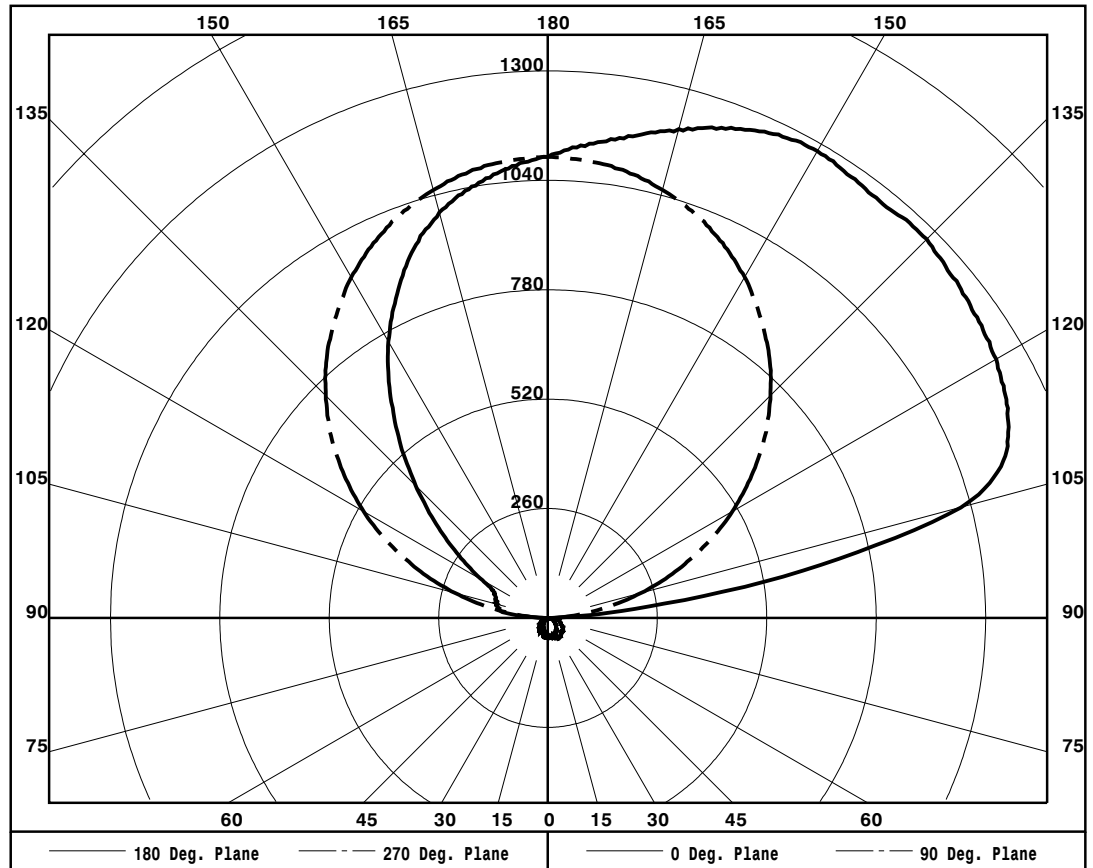
ZONAL LUMEN SUMMARY

0- 5	1.
5- 10	3.
10- 15	5.
15- 20	7.
20- 25	9.
25- 30	10.
30- 35	11.
35- 40	11.
40- 45	12.
45- 50	11.
50- 55	10.
55- 60	10.
60- 65	9.
65- 70	8.
70- 75	7.
75- 80	6.
80- 85	4.
85- 90	3.
90- 95	23.
95-100	121.
100-105	205.
105-110	244.
110-115	263.
115-120	282.
120-125	299.
125-130	311.
130-135	315.
135-140	313.
140-145	302.
145-150	283.
150-155	254.
155-160	218.
160-165	176.
165-170	129.
170-175	78.
175-180	26.

PLANE: 0-DEG 90-DEG
 LUMINOUS LENGTH: 2.000 46.500
 HEIGHT OF SIDE: 1.125 0.000

LUMINANCE IN CANDELA PER SQUARE METER

ANGLE IN DEG	AVERAGE 0-DEG	AVERAGE 45-DEG	AVERAGE 90-DEG
0	1199.	1199.	1199.
45	694.	726.	1040.
55	591.	638.	950.
65	480.	512.	903.
75	380.	391.	842.
85	328.	303.	0.





LTL NUMBER: 06293

DATE: 11-29-2001

PREPARED FOR: PRECISION ARCHITECTURAL LIGHTING

COEFFICIENTS OF UTILIZATION - ZONAL CAVITY METHOD

EFFECTIVE FLOOR CAVITY REFLECTANCE 0.20

Table with columns RC, RW, and rows for ceiling reflectance (80, 70, 50, 30, 10, 0) and room width (70, 50, 30, 10). Values represent utilization coefficients.

NOTE: THE ZONAL CAVITY CALCULATION TECHNIQUE IS ACCURATE WHEN LUMINAIRES WITH SYMMETRIC CANDELA DISTRIBUTIONS ARE EMPLOYED AND WHEN THE LUMINAIRES ARE LOCATED SYMMETRICALLY THROUGHOUT THE ROOM. THIS UNIT HAS SPECIAL CHARACTERISTICS AND THEREFORE THESE COEFFICIENTS SHOULD BE USED WITH CAUTION.

THIS TEST WAS CONDUCTED USING RELATIVE PHOTOMETRY TECHNIQUES ACCORDING TO STANDARD IESNA PROCEDURES. THE USER MUST THEREFORE USE CAUTION IN THE FOLLOWING SITUATIONS: 1) THIS TEST WAS PERFORMED USING A SPECIFIC BALLAST/LAMP COMBINATION. EXTRAPOLATION OF THESE DATA FOR OTHER BALLAST/LAMP COMBINATIONS MAY PRODUCE ERRONEOUS RESULTS. 2) ACCORDING TO IESNA PROCEDURES, THE BALLAST(S) AND LAMP(S) ARE PRESUMED TO PRODUCE 100% OF RATED OUTPUT. AN APPROPRIATE BALLAST FACTOR MUST BE APPLIED TO THE LUMEN OUTPUT RATINGS AND LUMINOUS INTENSITY VALUES GIVEN. 3) THIS TEST WAS CONDUCTED IN A CONTROLLED LABORATORY ENVIRONMENT WHERE THE AMBIENT TEMPERATURE WAS HELD AT 25°C ±1°C. FIELD PERFORMANCE MAY DIFFER PARTICULARLY IN REGARDS TO CHANGE IN LUMINOUS OUTPUT AS A RESULT OF DIFFERENCE IN AMBIENT TEMPERATURE AND METHOD OF MOUNTING THE LUMINAIRE.



LUMINAIRE TESTING LABORATORY, INC.



905 Harrison Street · Allentown, PA 18103 · (610) 770-1044 · Fax (610) 770-8912 · www.LuminaireTesting.com

INITIAL ILLUMINATION OF 50 FOOTCANDLES USING LTL TEST NUMBER 06293
LUMINAIRE SUSPENSION LENGTH = 1.5
WORKING PLANE HEIGHT = 2.50
FLOOR REFLECTANCE = 20

Table with columns for ROOM HT, CEIL RF, WALL RF, and a grid of values for different room dimensions (WIDTH and LENGTH) under various ceiling and wall reflectance conditions (80, 70, 50, 30).

QUANTITY OF LUMINAIRES