



LUMINAIRE TESTING LABORATORY, INC.

SUSTAINING
MEMBER
of the
IESNA

905 Harrison Street · Allentown, PA 18103 · 610-770-1044 · Fax 610-770-8912 · www.LuminaireTesting.com

LTL NUMBER: 10602

DATE: 11-10-2006

PREPARED FOR: PRECISION ARCHITECTURAL LIGHTING

CATALOG NUMBER: 0505S-03-R-4-OP/PRFP-X-120T5HO

LUMINAIRE: EXTRUDED ALUMINUM HOUSING, FORMED SPECULAR ALUMINUM REFLECTOR, FROSTED PATTERNED ACRYLIC LOWER ENCLOSURE, OPEN TOP.

LAMPS: THREE 54 WATT HIGH OUTPUT T5 LINEAR FLUORESCENT LAMPS RATED AT 4400 LUMENS EACH.

LAMP CATALOG NUMBER: PHILIPS F54T5/841/HO/ALTO

BALLASTS: TWO UNIVERSAL LIGHTING TECHNOLOGIES B254PUNV-D

MOUNTING: PENDANT

LUMEN TO CANDELA RATIO USED = 9.18

TOTAL INPUT WATTS = 179.2 AT 120.0 VOLTS

THE 0 DEGREE PLANE IS PARALLEL WITH THE LAMPS.

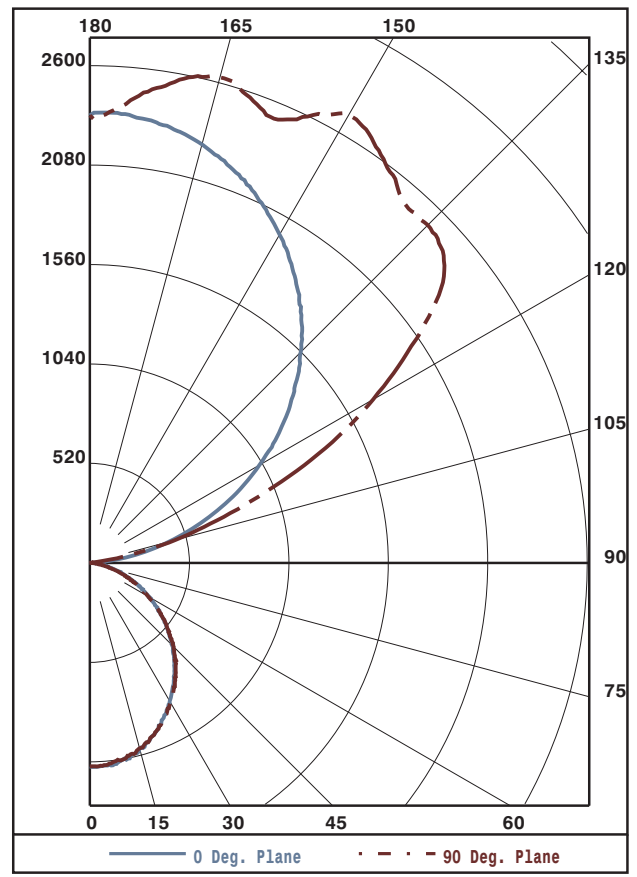
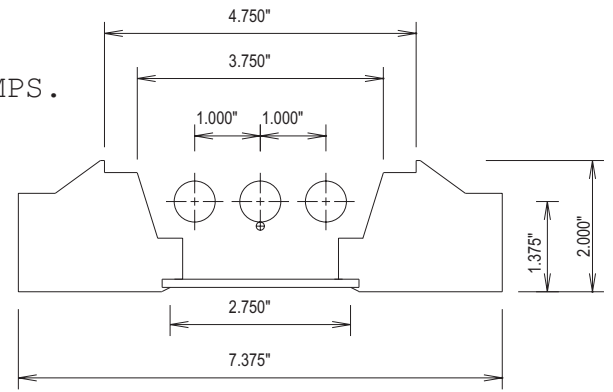
#10602

CANDELA DISTRIBUTION

	0.0	22.5	45.0	67.5	90.0
0	1064	1064	1064	1064	1064
5	1064	1064	1064	1060	1059
15	1004	1003	1006	1004	1003
25	901	903	903	903	903
35	764	764	774	774	775
45	606	611	617	619	620
55	439	444	445	440	440
65	284	277	279	269	271
75	139	136	129	122	120
85	30	27	24	20	17
90	3	1	1	1	0
95	81	80	7	12	13
105	427	740	590	493	461
115	829	1220	1416	1325	1274
125	1217	1613	1960	2126	2114
135	1558	1821	2223	2386	2498
145	1855	2148	2374	2608	2633
155	2092	2326	2446	2481	2559
165	2265	2383	2539	2610	2628
175	2352	2348	2394	2421	2428
180	2339	2339	2339	2339	2339

FLUX

101
284
417
481
471
397
274
137
28
63
600
1239
1638
1640
1466
1112
704
230



ZONAL LUMEN SUMMARY

ZONE	LUMENS	%LAMP	%FIXT
0- 30	802	6.1	7.1
0- 40	1283	9.7	11.4
0- 60	2151	16.3	19.1
0- 90	2590	19.6	23.0
90-120	1902	14.4	16.9
90-130	3541	26.8	31.4
90-150	6647	50.4	58.9
90-180	8694	65.9	77.0
0-180	11284	85.5	100.0

TOTAL LUMINAIRE EFFICIENCY: 85.5%
 CIE TYPE: SEMI-INDIRECT
 PLANE: 0-DEG 90-DEG
 SPACING CRITERIA: 1.2 1.2

Approved By: MG



LUMINAIRE TESTING LABORATORY, INC.

SUSTAINING MEMBER of the IESNA

905 Harrison Street · Allentown, PA 18103 · 610-770-1044 · Fax 610-770-8912 · www.LuminaireTesting.com

LTL NUMBER: 10602

DATE: 11-10-2006

PREPARED FOR: PRECISION ARCHITECTURAL LIGHTING

COEFFICIENTS OF UTILIZATION - ZONAL CAVITY METHOD
EFFECTIVE FLOOR CAVITY REFLECTANCE 0.20

Table with columns RC, RW, and rows for angles 0-10 and reflectance values 80, 70, 50, 30, 10, 0.

PLANE: 0-DEG 90-DEG
LUMINOUS LENGTH: 43.875 2.750

Table with columns ANGLE IN DEG, AVERAGE 0-DEG, AVERAGE 45-DEG, AVERAGE 90-DEG.



LUMINAIRE TESTING LABORATORY, INC.

SUSTAINING MEMBER of the IESNA

905 Harrison Street · Allentown, PA 18103 · 610-770-1044 · Fax 610-770-8912 · www.LuminaireTesting.com

LTL NUMBER: 10602

DATE: 11-10-2006

PREPARED FOR: PRECISION ARCHITECTURAL LIGHTING

CANDELA DISTRIBUTION

Table with 6 columns of candela values for various angles from 0 to 180 degrees.

ZONAL LUMEN SUMMARY

Table with 2 columns: Zonal angle ranges and corresponding lumen values.

THIS TEST WAS CONDUCTED USING RELATIVE PHOTOMETRY TECHNIQUES ACCORDING TO STANDARD IESNA PROCEDURES. THE USER MUST THEREFORE USE CAUTION IN THE FOLLOWING SITUATIONS: 1) THIS TEST WAS PERFORMED USING A SPECIFIC BALLAST/LAMP COMBINATION. EXTRAPOLATION OF THESE DATA FOR OTHER BALLAST/LAMP COMBINATIONS MAY PRODUCE ERRONEOUS RESULTS. 2) ACCORDING TO IESNA PROCEDURES, THE BALLAST(S) AND LAMP(S) ARE PRESUMED TO PRODUCE 100% OF RATED OUTPUT. AN APPROPRIATE BALLAST FACTOR MUST BE APPLIED TO THE LUMEN OUTPUT RATINGS AND LUMINOUS INTENSITY VALUES GIVEN. 3) THIS TEST WAS CONDUCTED IN A CONTROLLED LABORATORY ENVIRONMENT WHERE THE AMBIENT TEMPERATURE WAS HELD AT 25°C ±1°C. FIELD PERFORMANCE MAY DIFFER PARTICULARLY IN REGARDS TO CHANGE IN LUMINOUS OUTPUT AS A RESULT OF DIFFERENCE IN AMBIENT TEMPERATURE AND METHOD OF MOUNTING THE LUMINAIRE.